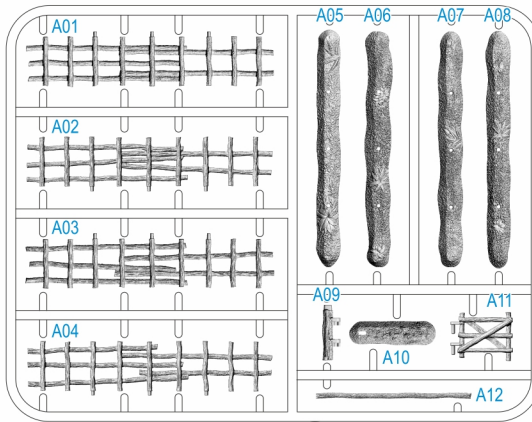




Product Code: **283001**
171107-2



A x4



- When you use glue or paint, do not use near a naked flame, and use in a well-ventilated area.
- When assembling this kit, tools including knives are used. Extra care should be taken to avoid personal injury.
- Keep out of reach of small children.

Read carefully and fully understand the instructions before commencing assembly. Model supplied unpainted. Bases, scenery, glue and paint not included. Legend used:



Choices



Optional



No glue



Drill hole



Bend



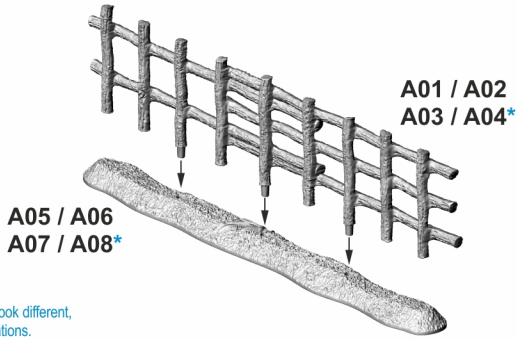
Cut or trim with care

Please use **ABS Plastic Cement** for our plastic kits.

WARNING

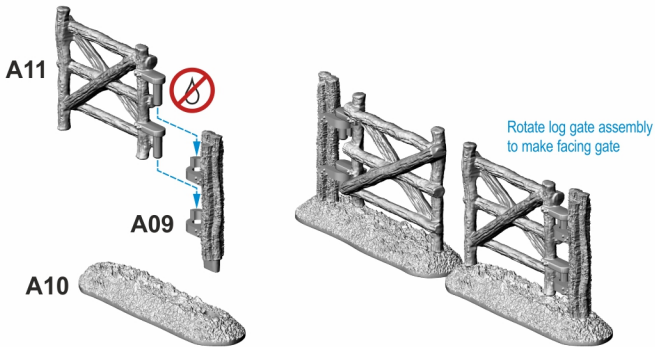
- THIS IS NOT A TOY
- INTENDED FOR COLLECTORS OF AGE 14 AND ABOVE
- CONTAINS SMALL PARTS AND POINTED COMPONENTS
- NOT SUITABLE FOR CHILDREN UNDER 6 YEARS OLD
- MODEL MAY VARY FROM IMAGE ON BOX
- READY TO ASSEMBLE PRECISION MODEL KIT

Log Fence Assembly

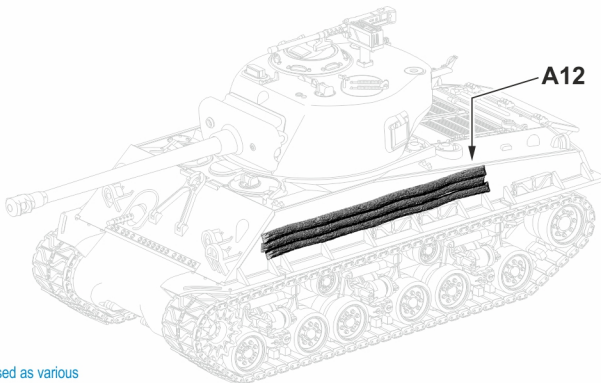


Each log fence and base is designed to look different, mix and match to create various combinations.

Log Gate Assembly

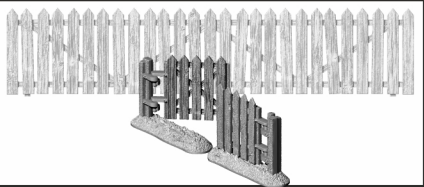


Spare Wood Logs



Multiple spare logs (A12) can be used as various add-on decorations to your tanks and trucks.

If you like this new **Log Fence** scenery set, you might also want to look at our **Picket Fence** (283002) scenery kit. An excellent companion product for your tabletop battlefield or landscape.



Please visit our official Facebook page at <https://www.facebook.com/rubiconmodels>



Follow our Facebook page to show your support!