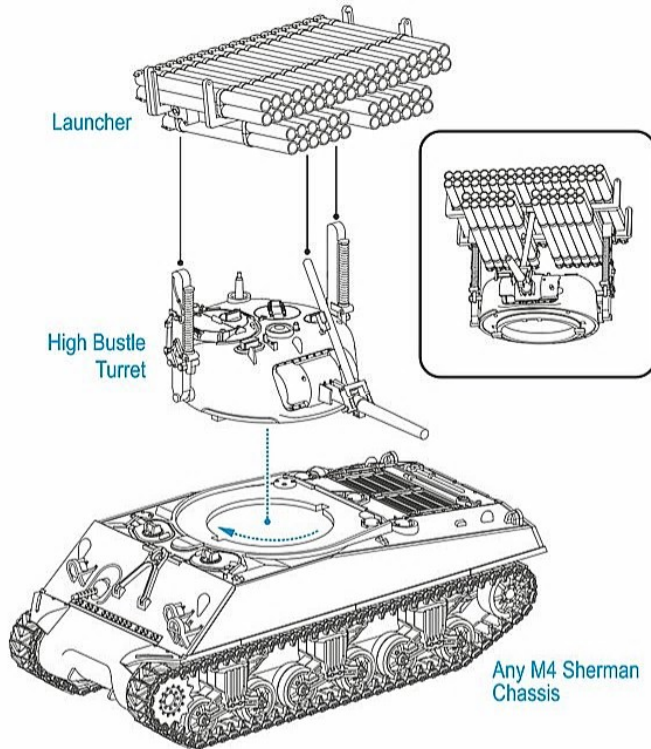


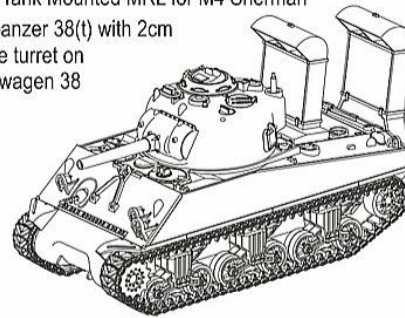
Assembly Instruction

Final Assembly



Besides this US T34 Calliope Tank-mounted Missile Rocket Launcher, Rubicon Models also released many other resin vehicle upgrade or conversion kits in blister pack format:

- 282006 Deep Wading Trunk Set 1 - M4
- 282007 Deep Wading Trunk Set 2 - M4A2
- 282008 Deep Wading Trunk Set 3 - M4A3
- 282009 T34 Calliope Tank Mounted MRL for M4 Sherman
- 282010 Aufklärungspanzer 38(t) with 2cm Haengelafette turret on Bergepanzerwagen 38 chassis



Read carefully and fully understand the instructions before commencing assembly. Model supplied unpainted. Scenery, glue and paint not included.

WARNING:

Contains small parts which may be hazardous to children under 14 years of age.



- This kit may contain Polyurethane Resin, Pewter, or ABS Plastic parts. Please handle with care.
- If resin parts are bent, submerge parts in hot water (not boiling water), bend parts to desired shape.
- Before assembly it is advised to clean the parts in a soapy water solution to remove any leftover remnants of mould release.
- When you use cyanoacrylate glue or paint, do not use near a naked flame, and use in a well-ventilated area.
- When assembling this kit, tools including knives are used. Extra care should be taken to avoid personal injury.
- Keep out of reach of small children.

www.rubiconmodels.com

**RUBICON
MODELS**



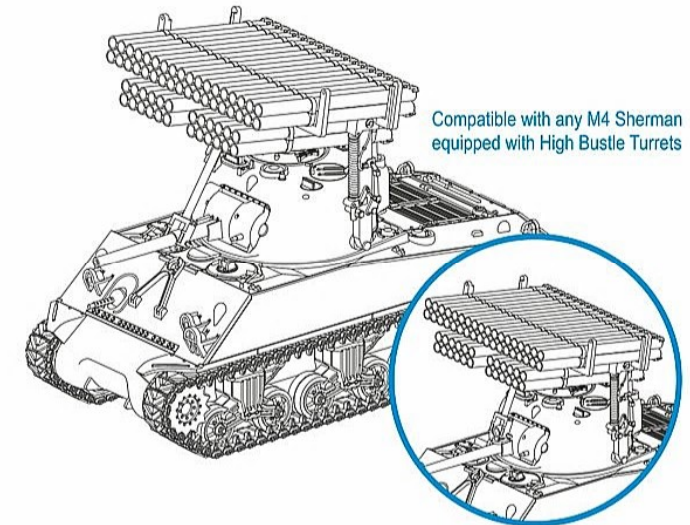
1:56 (28mm) Scale

Vehicle Upgrade / Conversion Kits

T34 Calliope Tank-Mounted MRL

Early & Late Variants for M4 Sherman with High Bustle Turret

282009

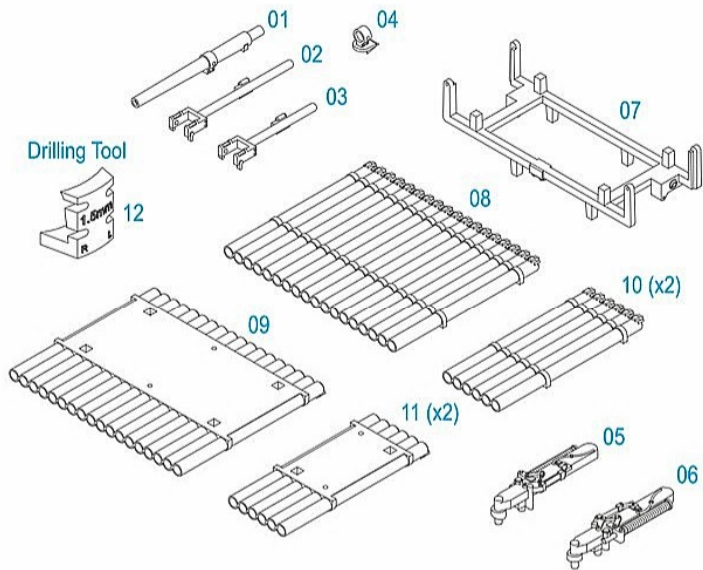


Contains 14 resin parts to assemble one T34 Calliope tank-mounted MRL.

© Copyright Rubicon Models Limited 2018
Rubicon Models and the Rubicon Models logo are trademarks of Rubicon Models Limited. All Rights Reserved. Made in China.

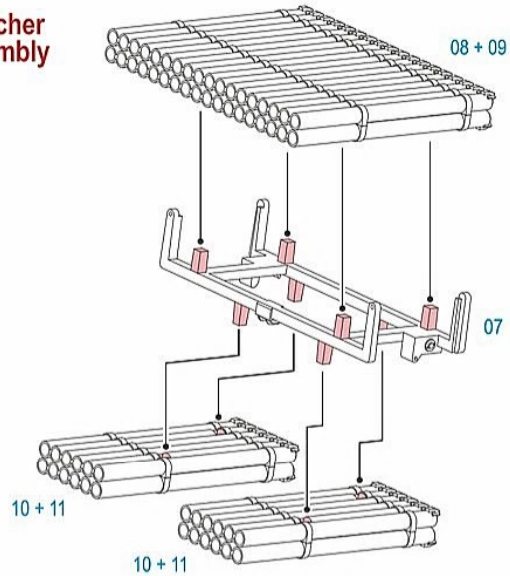


Resin Part List



Assembly Instruction

Launcher Assembly

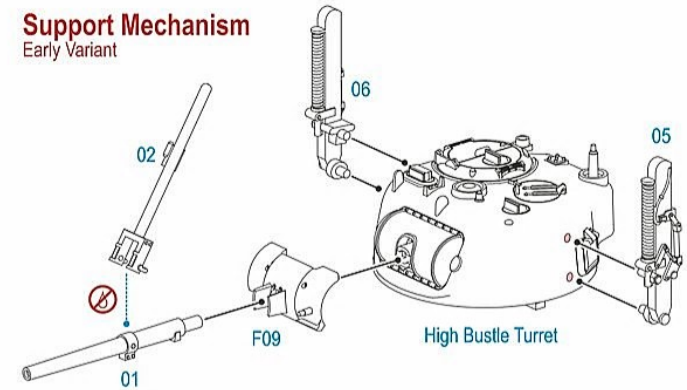


Drilling Holes on the High Bustle Turret



Assembly Instruction

Support Mechanism Early Variant



Support Mechanism Late Variant

