

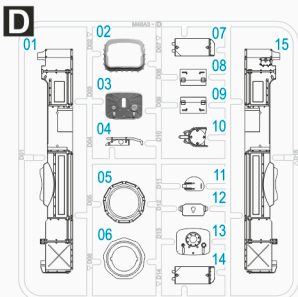
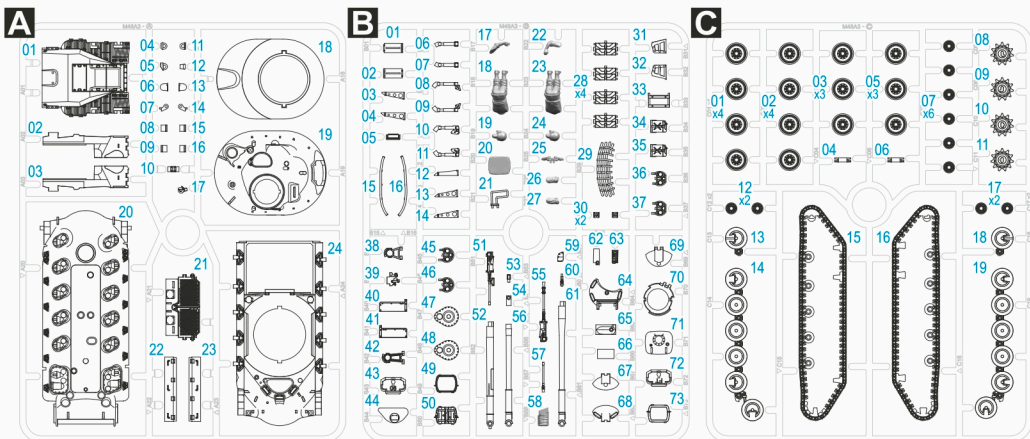
1:56 Military Vehicle Series M48A3 "Patton" / M67A2 "Zippo"

Main Battle Tank / Flame Thrower Tank



Product Code: 280141

231015-2



- When you use glue or paint, do not use near a naked flame, and use in a well-ventilated area.
- When assembling this kit, tools including knives are used. Extra care should be taken to avoid personal injury.
- Keep out of reach of small children.

Read carefully and fully understand the instructions before commencing assembly. Model supplied unpainted. Bases, scenery, glue and paint not included. Meaning of symbols used:



Choices



Optional



No glue



Drill hole



Bend



Cut or trim with care



Please use **ABS Plastic Cement** for assembly.

WARNING

- THIS IS NOT A TOY
- INTENDED FOR COLLECTORS OF AGE 14 AND ABOVE
- CONTAINS SMALL PARTS AND POINTED COMPONENTS
- NOT SUITABLE FOR CHILDREN UNDER 6 YEARS OLD
- MODEL MAY VARY FROM IMAGE ON BOX
- READY TO ASSEMBLE PRECISION MODEL KIT

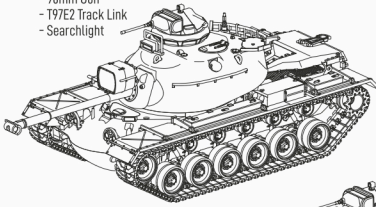


READ THIS FIRST BEFORE ASSEMBLY STARTS...

Please study the instruction thoroughly **before** actual assembly. This kit enables you to build either a **M48A3 Patton** main battle tank or a **M67A2 "Zippo"** flamethrower tank *with or without* tarpaulin cover and *with or without* searchlight. It is also good practice to *test fit* all parts and study all build options *before* gluing them together. This will save you time and frustrations! Please also make sure to use **ABS Plastic Cement** for our plastic kit assembly.

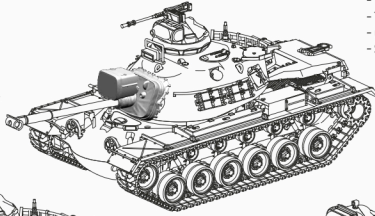
M48A3 Patton

- 90mm Gun
- T97E2 Track Link
- Searchlight



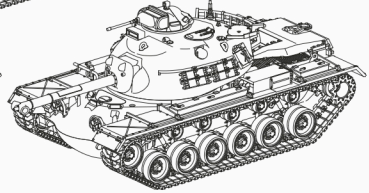
M48A3 Patton (Vietnam War)

- 90mm Gun
- T97E2 Track Link
- Gun Manlet with Tarpaulin Cover
- Searchlight with Canvas Cover



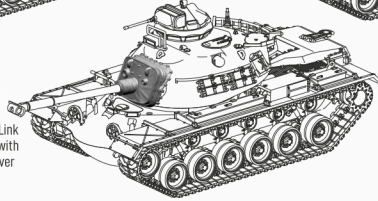
M67A2 "Zippo"

- M7-6 Tank Flamethrower
- T97E2 Track Link

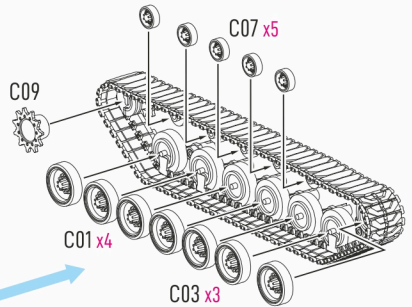
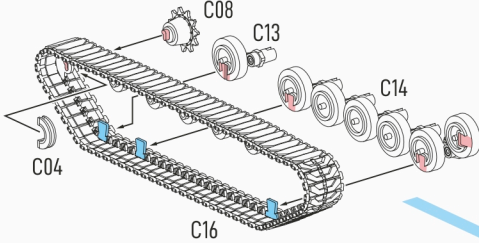


M48A3 Patton

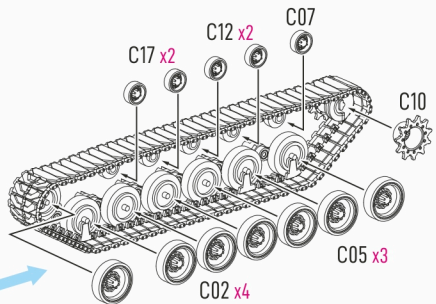
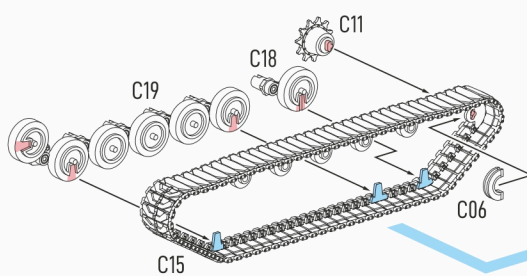
- 90mm Gun
- T97E2 Track Link
- Gun Manlet with Tarpaulin Cover



1 Tracks & Road Wheels Assembly
Right Side

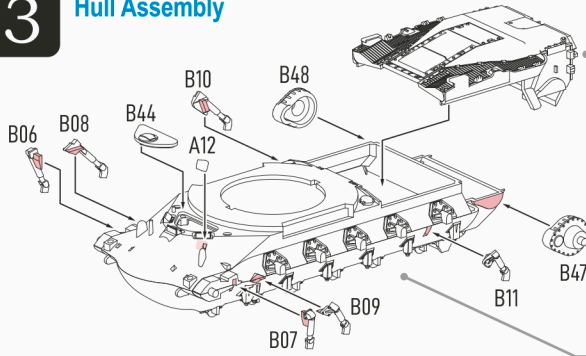


2 Tracks & Road Wheels Assembly
Left Side

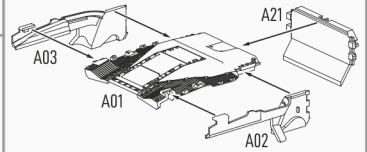


3

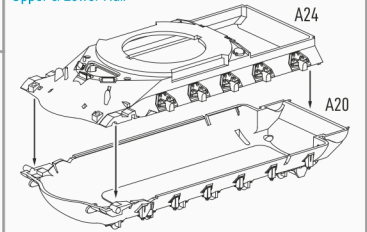
Hull Assembly



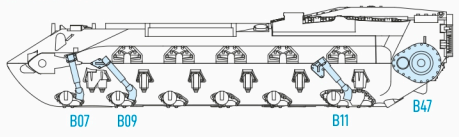
Rear Upper Deck



Upper & Lower Hull



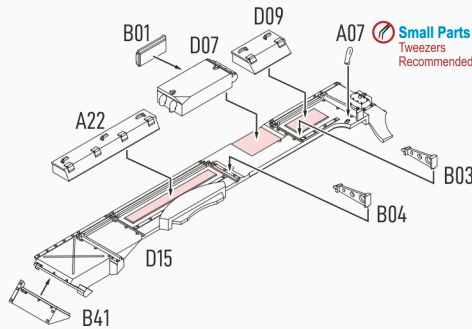
Build References



4

Fender Assembly

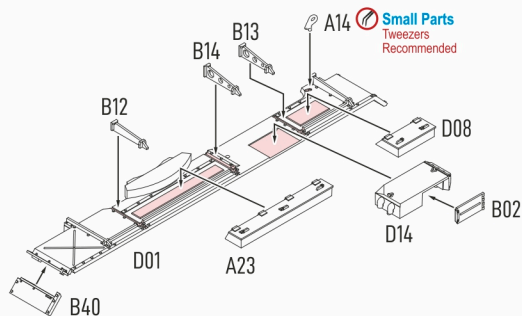
Right Side



5

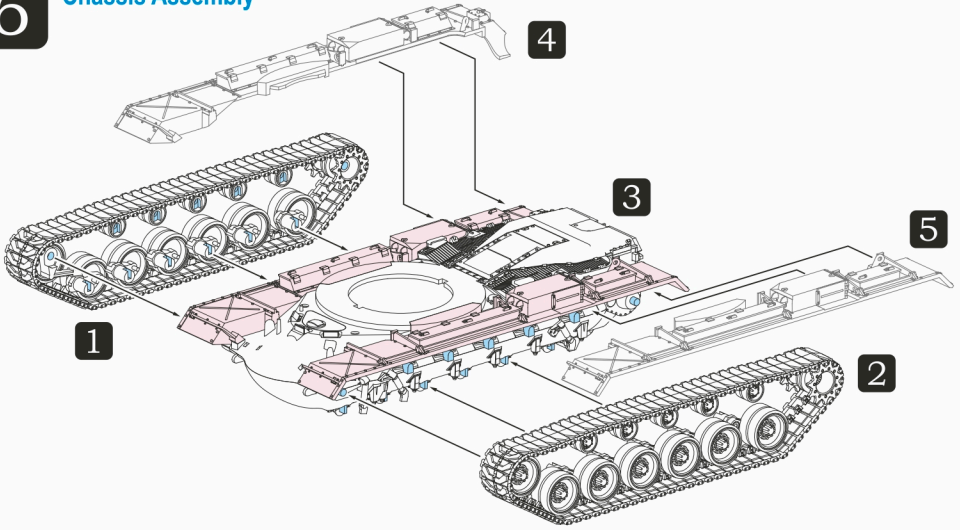
Fender Assembly

Left Side



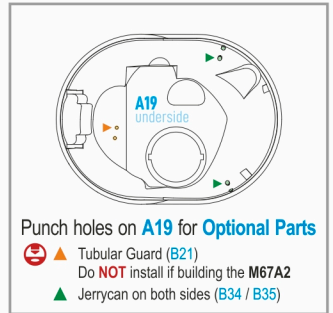
6

Chassis Assembly

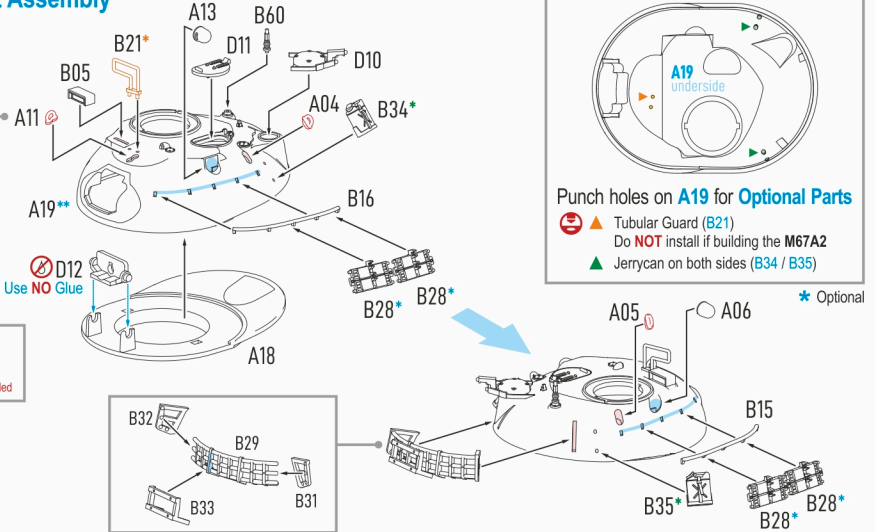


7

Turret Assembly

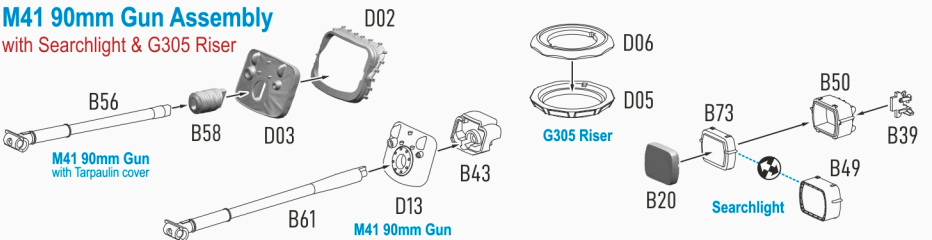


- 🔩 A11, A04, A05
- 🔪 **Small Parts**
Tweezers Recommended



8

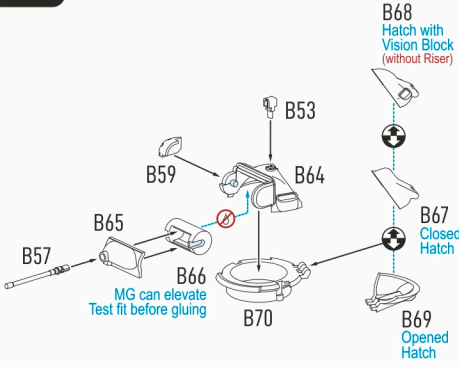
M41 90mm Gun Assembly with Searchlight & G305 Riser



9

M1 Cupola Assembly

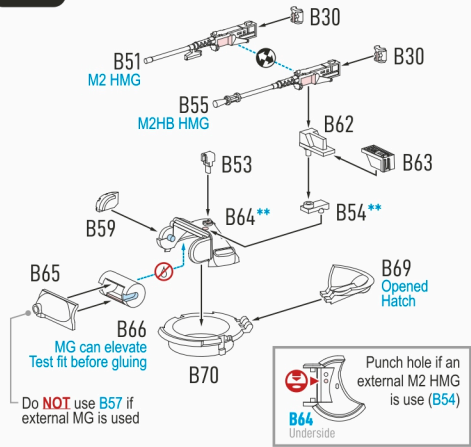
Standard Production



10

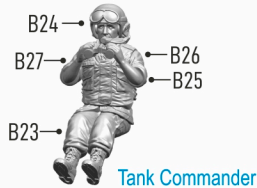
M1 Cupola Assembly

Vietnam War



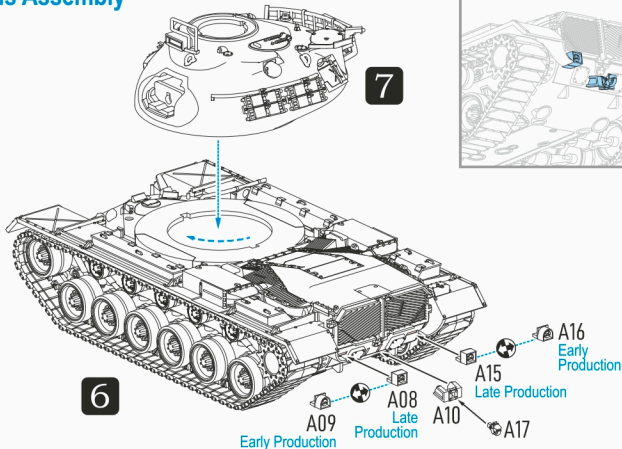
11

Tank Crew

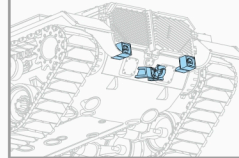


12

Rear Chassis Assembly



Build Reference



Tail Lights
 Early Production
 A09 & A16
 Late Production
 A08 & A15



Continue with **Step 13** for the final **M48A3** assembly



Skip to **Step 14** for the **M67A2 "Zippo"** assembly

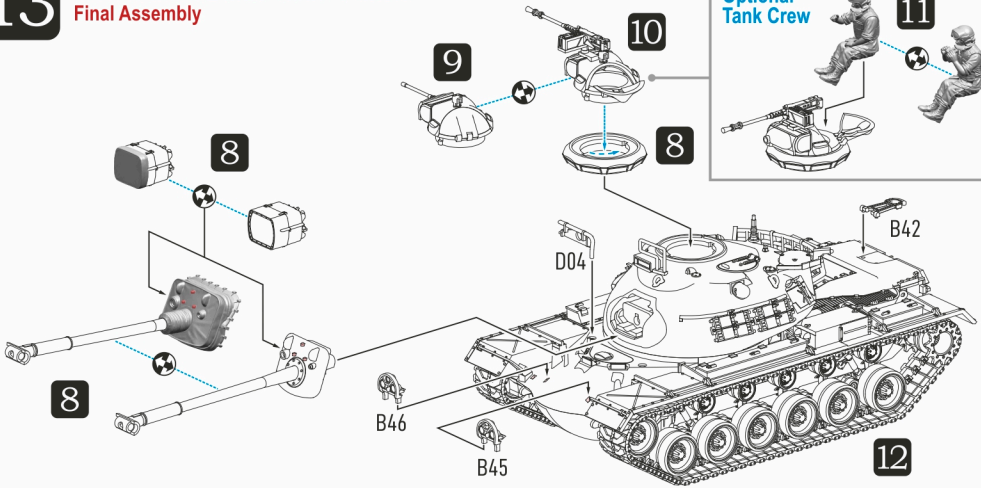
13

M48A3 Main Battle Tank "Patton"

Final Assembly

Optional Tank Crew

11



14

M67A2 Flamethrower Tank "Zippo"

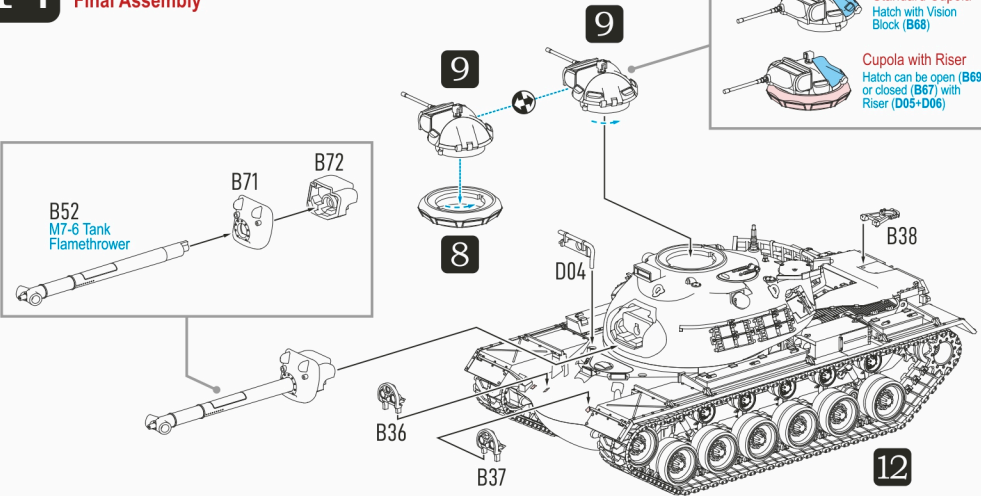
Final Assembly

Standard Cupola

Hatch with Vision Block (B68)

Cupola with Riser

Hatch can be open (B69) or closed (B67) with Riser (D05+D06)



OFFICIAL WEBSTORES



www.rubiconmodelsasia.com



www.rubiconmodels.co.uk



www.rubiconmodelsusa.com