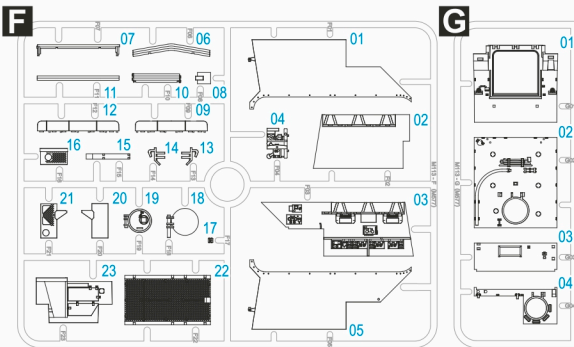
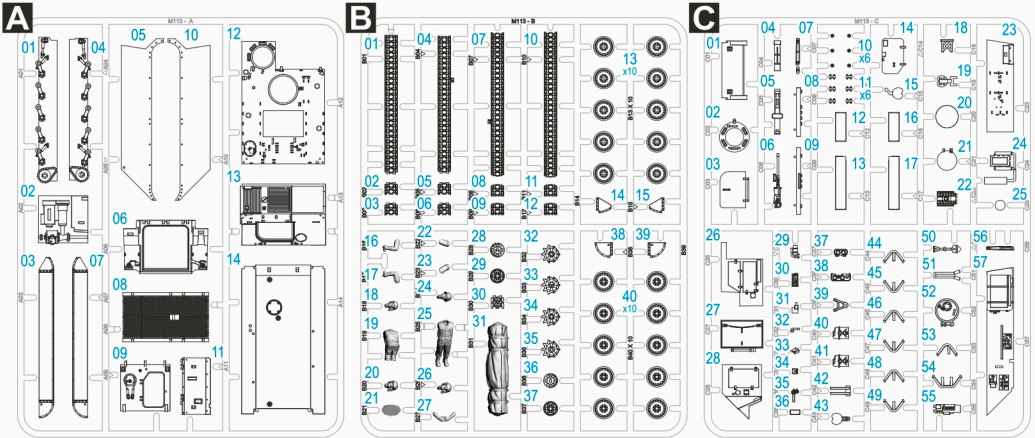


1:56 Military Vehicle Series M577A1 Command Post Vehicle with simplified interior



Product Code: 280136
221214-2



CAUTION

- When you use glue or paint, do not use near a naked flame, and use in a well-ventilated area.
- When assembling this kit, tools including knives are used. Extra care should be taken to avoid personal injury.
- Keep out of reach of small children.

Description of the **symbols** used within this instruction can be found at the back page of this assembly instruction.

Please use **ABS Plastic Cement** for assembly.

WARNING ■ THIS IS NOT A TOY ■ INTENDED FOR COLLECTORS OF AGE 14 AND ABOVE ■ CONTAINS SMALL PARTS AND POINTED COMPONENTS ■ NOT SUITABLE FOR CHILDREN UNDER 6 YEARS OLD ■ MODEL MAY VARY FROM IMAGE ON BOX ■ READY TO ASSEMBLE PRECISION MODEL KIT

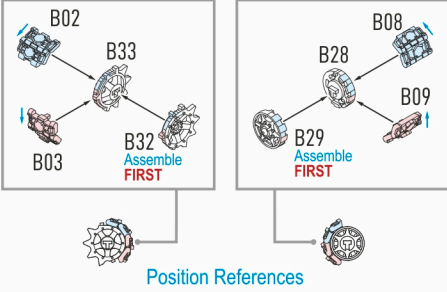
© Rubicon Models Ltd 2023. Rubicon Models, the Rubicon Models Logo are trademarks of Rubicon Models Ltd. All rights reserved.

1

Tracks & Roadwheels Assembly

Left Side

Note the direction of the track links

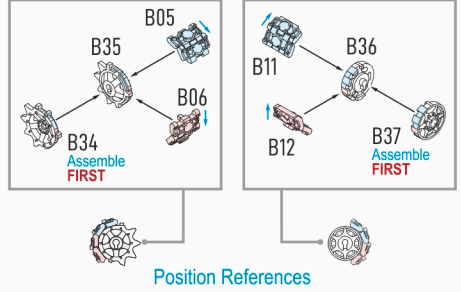


2

Tracks & Roadwheels Assembly

Right Side

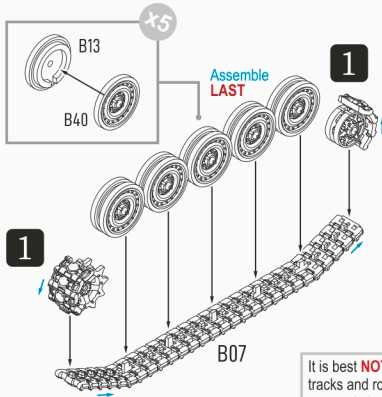
Note the direction of the track links



3

Tracks & Roadwheels Assembly

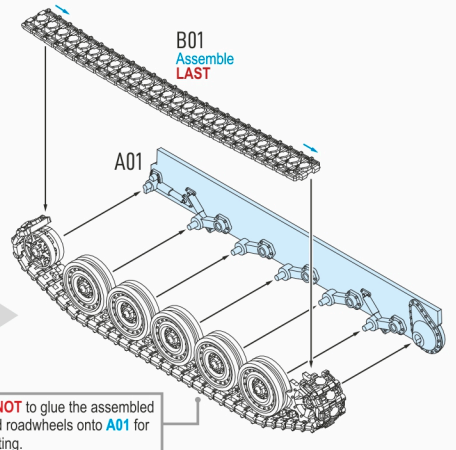
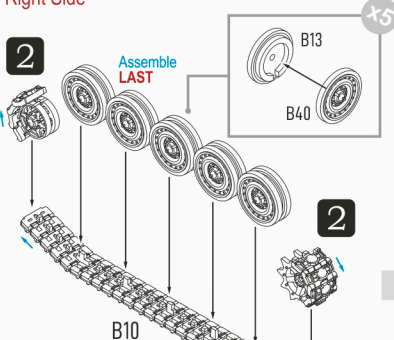
Left Side



4

Tracks & Roadwheels Assembly

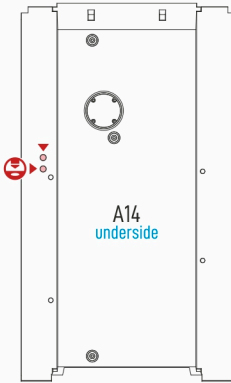
Right Side



5

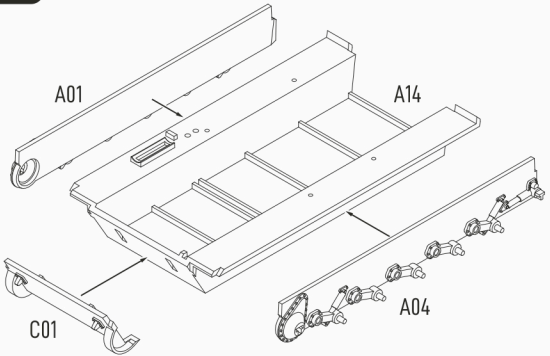
Lower Hull Assembly

Punching Holes



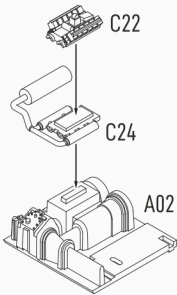
6

Lower Hull Assembly



7

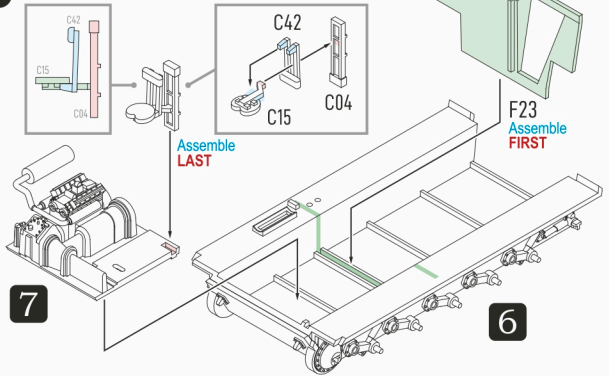
Engine Assembly



8

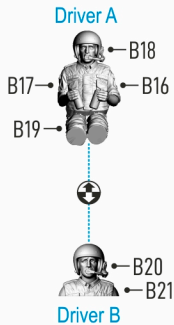
Lower Hull Assembly

Chassis Interior



9

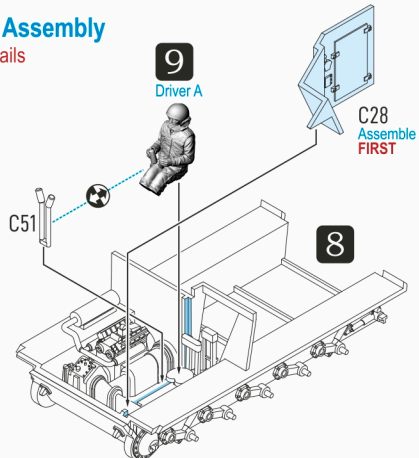
Driver Assembly



10

Chassis Assembly

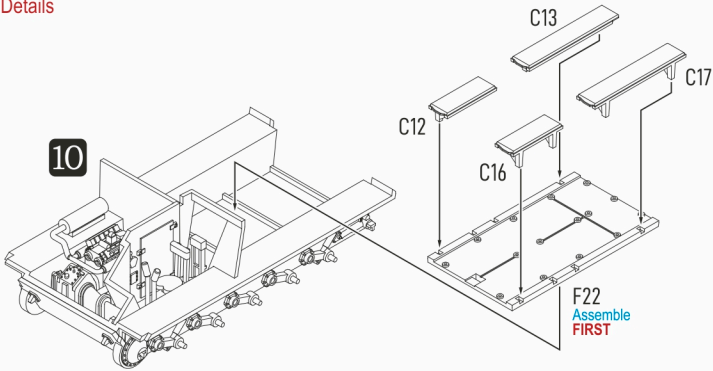
Interior Details



11

Chassis Assembly

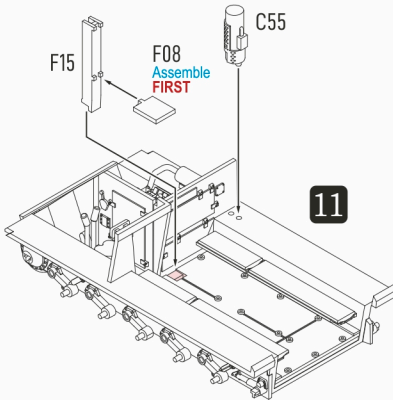
Interior Details



12

Chassis Assembly

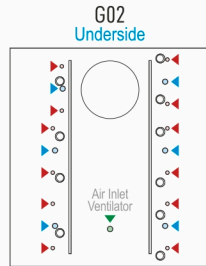
Interior Details



13

Body Assembly

Hole Punching



■ Antenna Guard x 6 sets

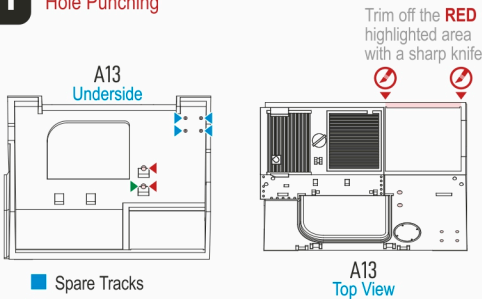
■ Antenna Base

Normally equipped with 3 to 4 antennae, mostly on the left hand side where the radio sets are located inside the vehicle.

14

Body Assembly

Hole Punching



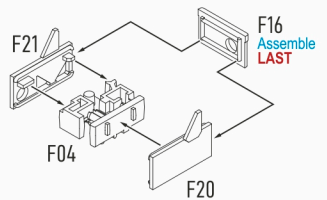
■ Spare Tracks

■ Trim Vane Stowed

■ Trim Vane Extended

15

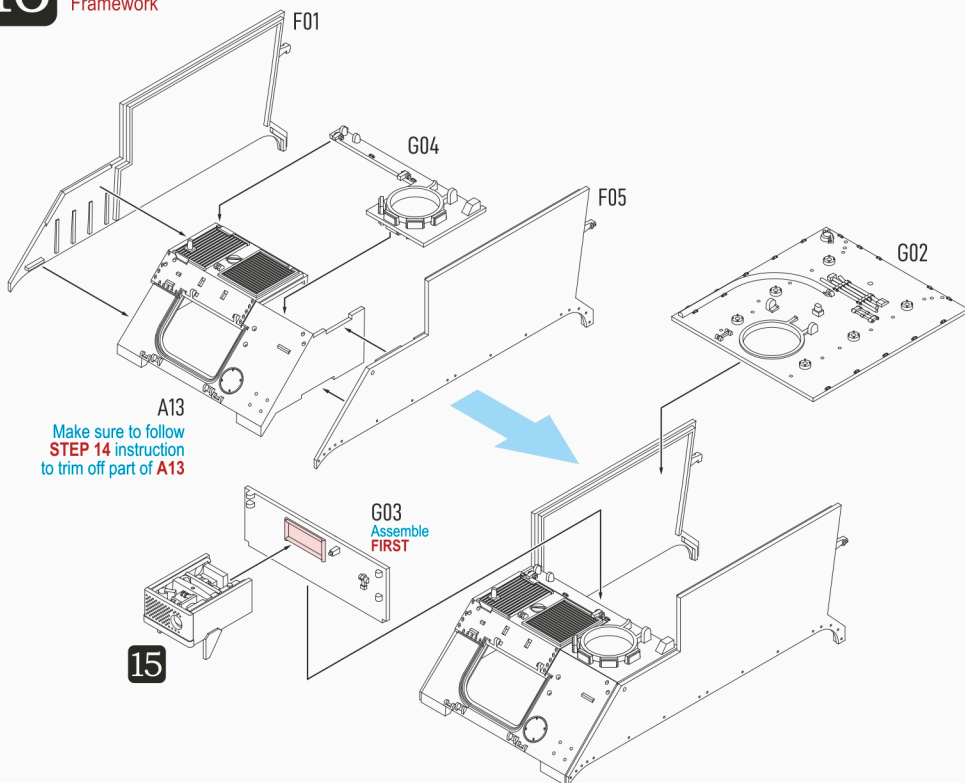
Generator Assembly



16

Body Assembly

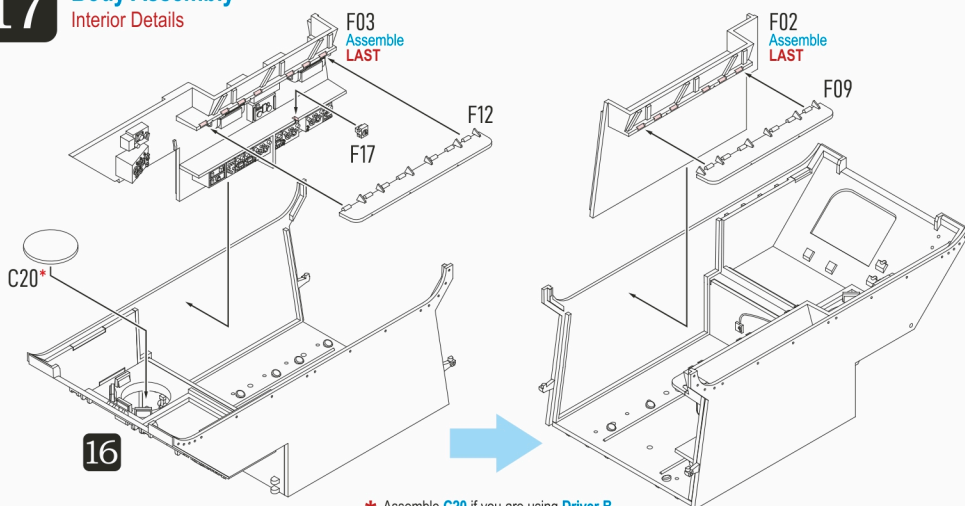
Framework



17

Body Assembly

Interior Details

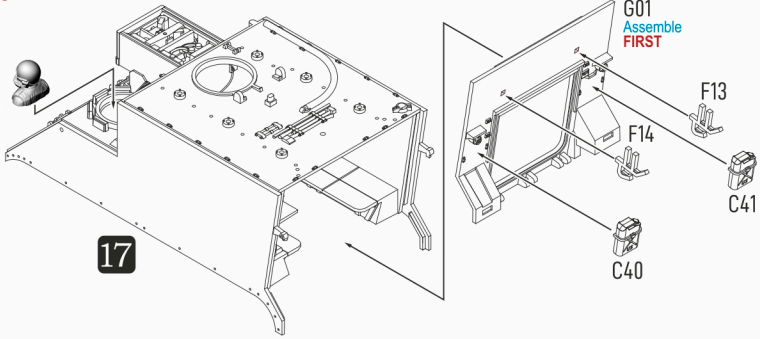


* Assemble **C20** if you are using **Driver B** instead of **Driver A** in **Step 9**.

18 Body Assembly

Rear Details

9 Driver B

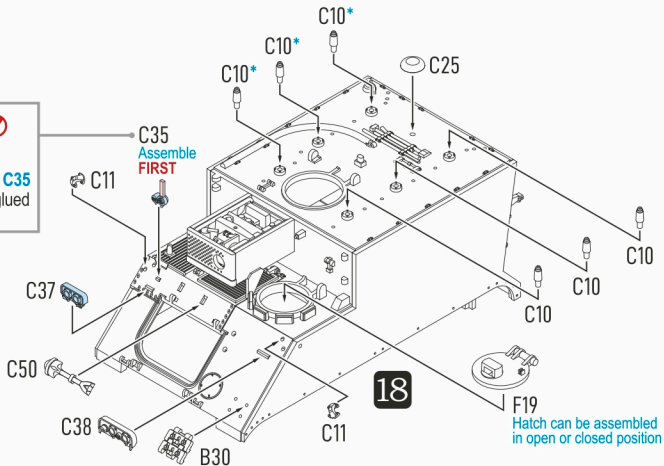
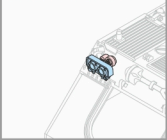


19 Body Assembly

External Details

C35
Remove TAB on C35 after the part is glued onto the hull.

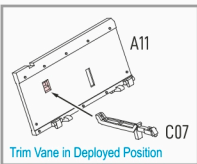
Build References



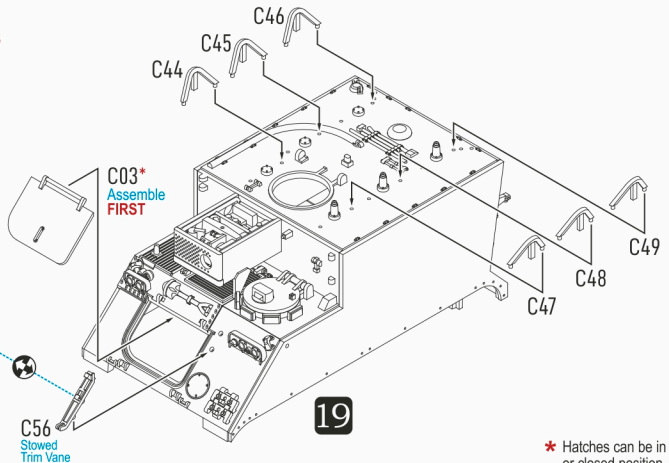
* Optional

20 Body Assembly

Trim Vane & Antenna Guards



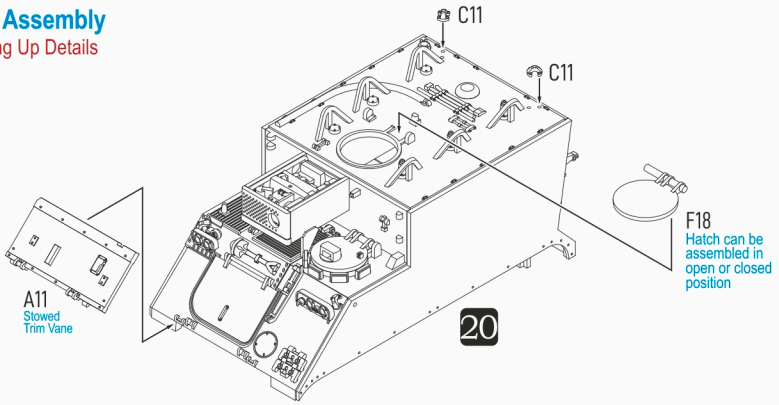
Trim Vane in Deployed Position



* Hatches can be in open or closed position.

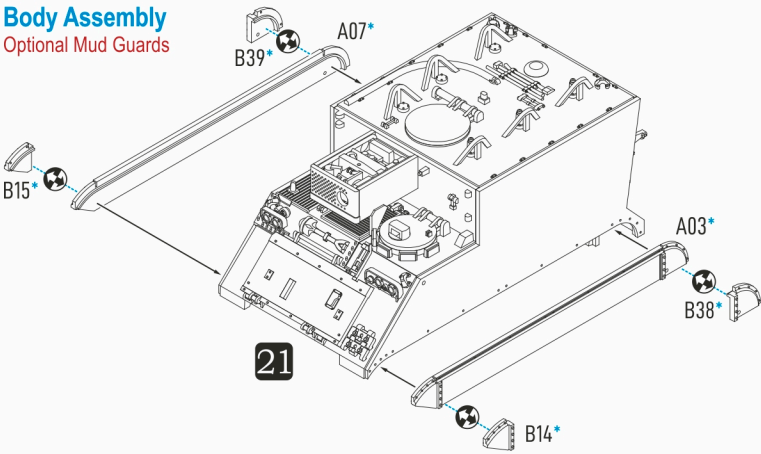
21

Body Assembly Finishing Up Details



22

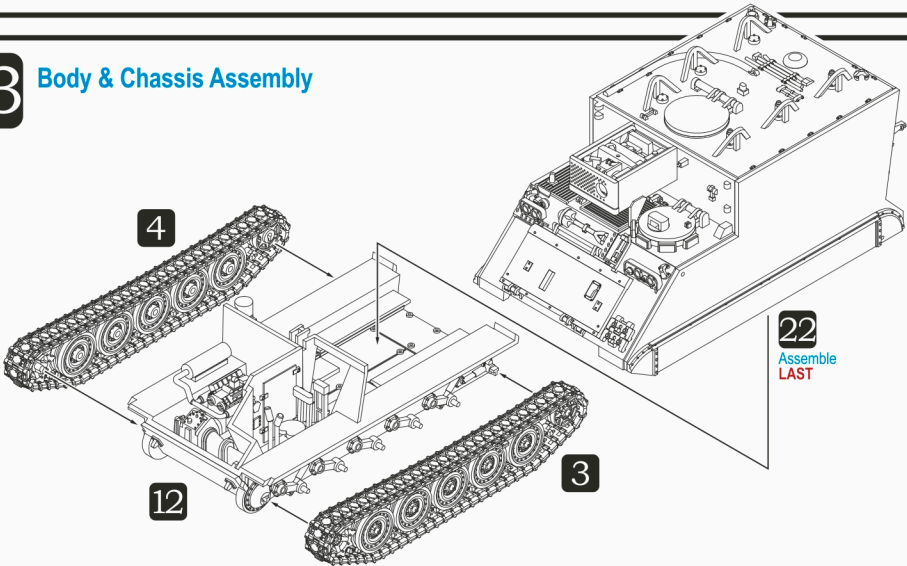
Body Assembly Optional Mud Guards



* Optional

23

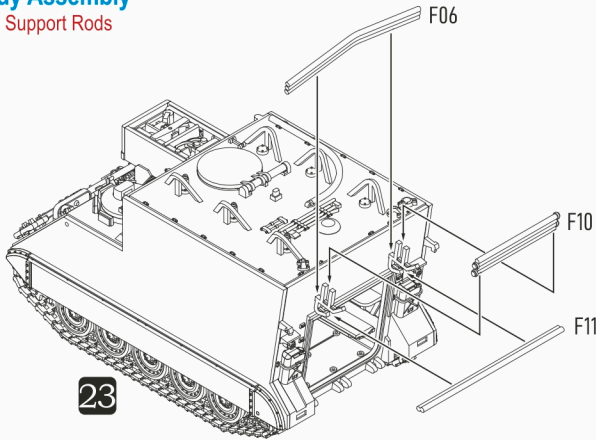
Body & Chassis Assembly



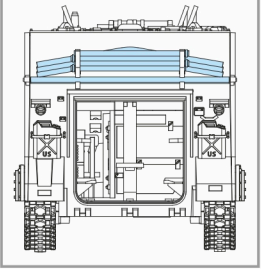
24

Body Assembly

Tent Support Rods



Build Reference for the placement of the tent support rods.

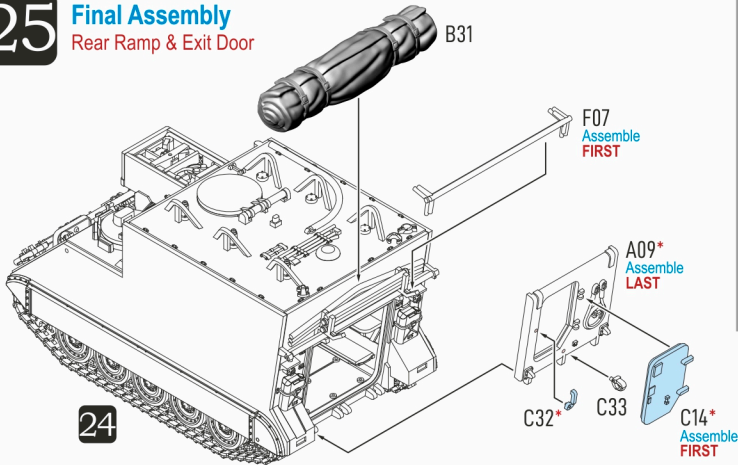


23

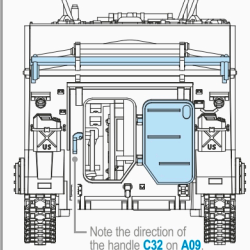
25

Final Assembly

Rear Ramp & Exit Door



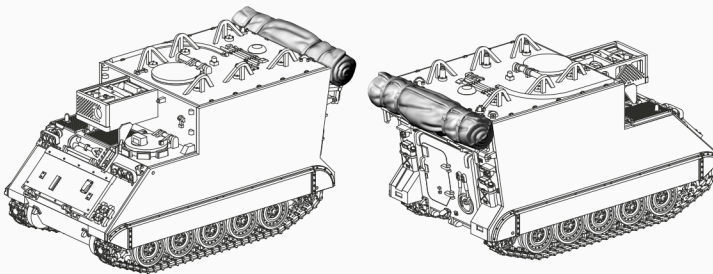
Build Reference for **C14** & **C32** with Rear Exit Door opened.



Note the direction of the handle **C32** on **A09** Should be pointing downward if the rear exit door is opened.

* Exit Door **C14** and Rear Ramp **A09** can be assembled in open or closed position.

24



! Read carefully and fully understand the instructions before commencing assembly. Model supplied unpainted. Bases, scenery, glue and paint not included. Meaning of symbols used:



Choices



Optional



No glue



Drill hole



Bend



Cut or trim with care