

Product Code: 280135
221218-2

A

B

C

E

CAUTION

- When you use glue or paint, do not use near a naked flame, and use in a well-ventilated area.
- When assembling this kit, tools including knives are used. Extra care should be taken to avoid personal injury.
- Keep out of reach of small children.

Read carefully and fully understand the instructions before commencing assembly. Model supplied unpainted. Bases, scenery, glue and paint not included. Meaning of symbols used:

Choices	Optional	No glue
Drill hole	Bend	Cut or trim with care

Please use **ABS Plastic Cement** for assembly.

WARNING

- THIS IS NOT A TOY
- INTENDED FOR COLLECTORS OF AGE 14 AND ABOVE
- CONTAINS SMALL PARTS AND POINTED COMPONENTS
- NOT SUITABLE FOR CHILDREN UNDER 6 YEARS OLD
- MODEL MAY VARY FROM IMAGE ON BOX
- READY TO ASSEMBLE PRECISION MODEL KIT

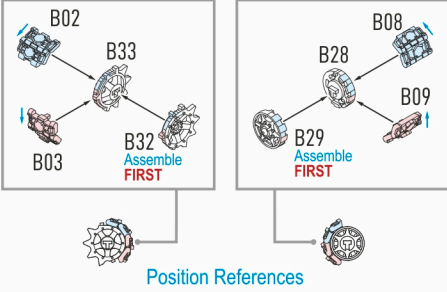
© Rubicon Models Ltd 2023. Rubicon Models, the Rubicon Models Logo are trademarks of Rubicon Models Ltd. All rights reserved.

1

Tracks & Roadwheels Assembly

Left Side

Note the direction of the track links

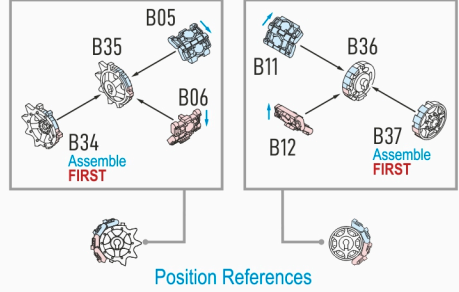


2

Tracks & Roadwheels Assembly

Right Side

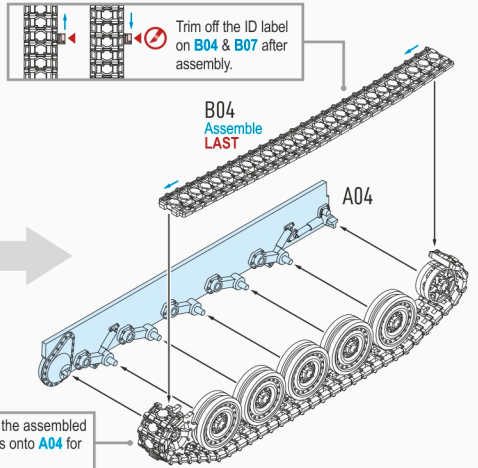
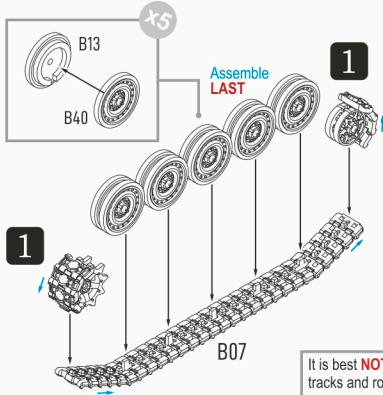
Note the direction of the track links



3

Tracks & Roadwheels Assembly

Left Side

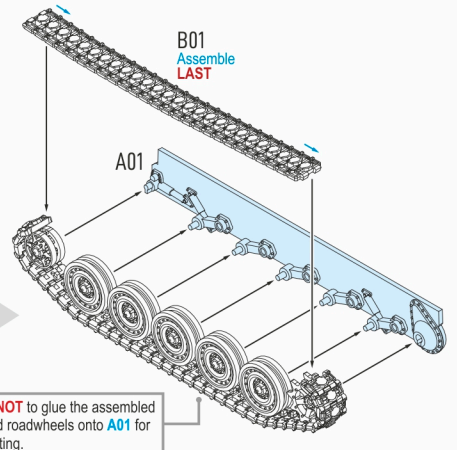
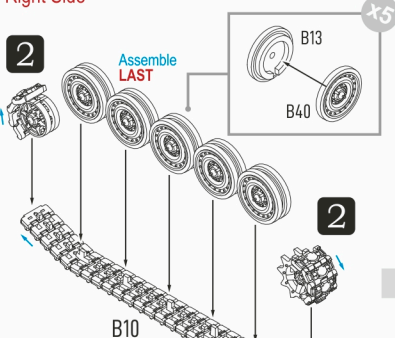


It is best **NOT** to glue the assembled tracks and roadwheels onto A04 for easy painting.

4

Tracks & Roadwheels Assembly

Right Side

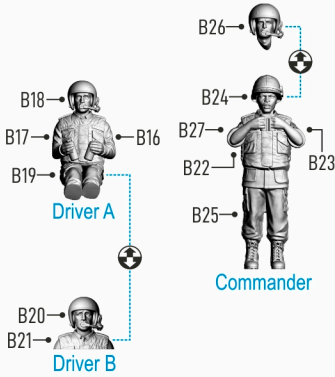


It is best **NOT** to glue the assembled tracks and roadwheels onto A01 for easy painting.

5

Figure Assembly

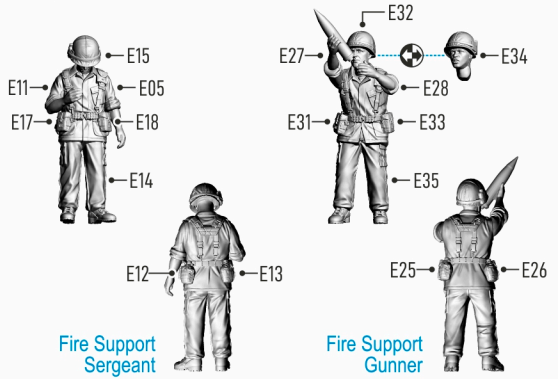
Vehicle Crew



6

Figure Assembly

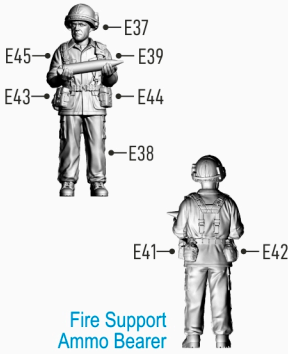
Mortar Crew



7

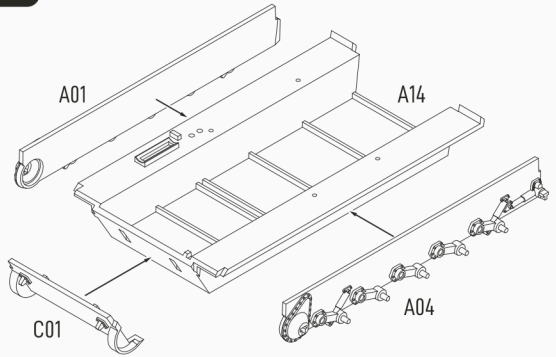
Figure Assembly

Mortar Crew continue...



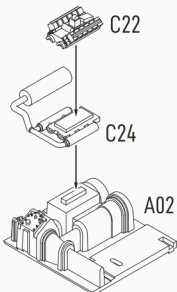
8

Lower Hull Assembly



9

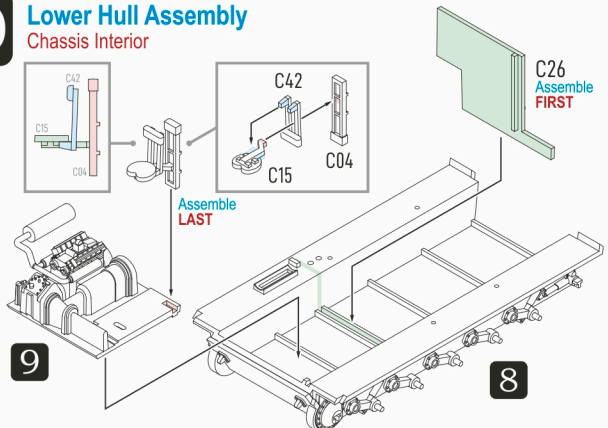
Engine Assembly



10

Lower Hull Assembly

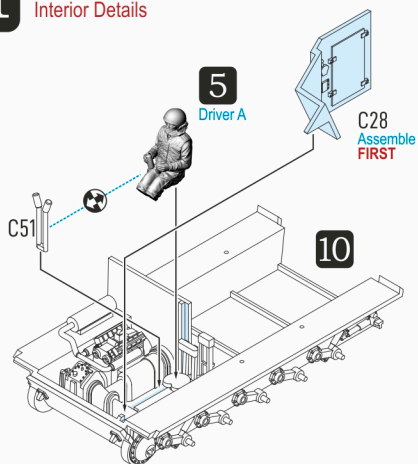
Chassis Interior



11

Chassis Assembly

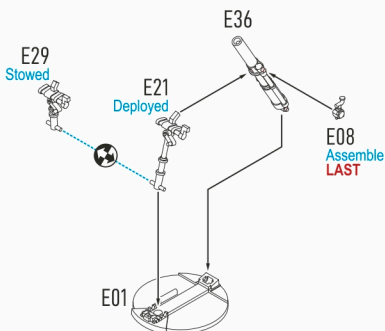
Interior Details



12

Chassis Assembly

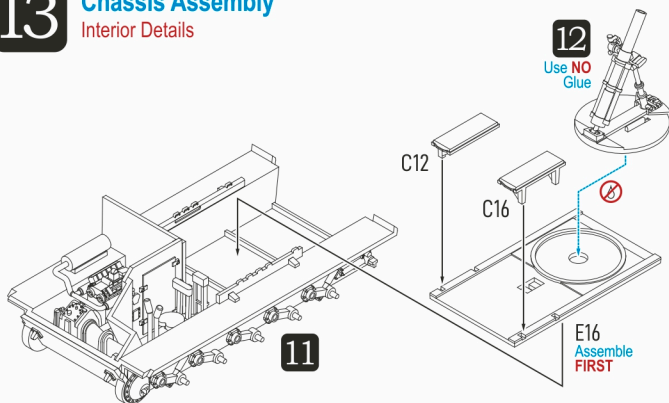
Interior Details



13

Chassis Assembly

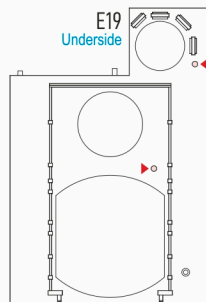
Interior Details



15

Body Assembly

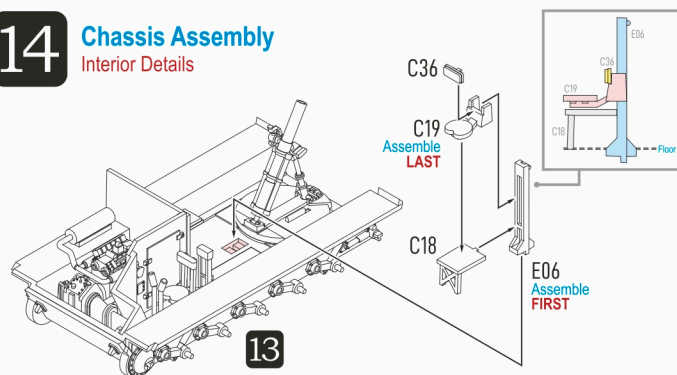
Hole Punching



14

Chassis Assembly

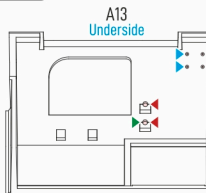
Interior Details







16

Body Assembly

Hole Punching

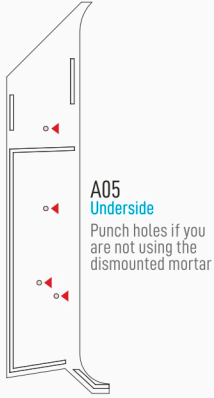


 Punch holes for the following options:

-  Spare Tracks
-  Trim Vane stowed
-  Trim Vane in use

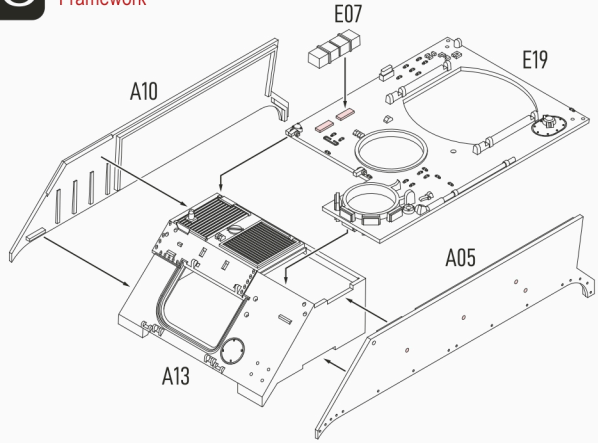
17 Body Assembly

Hole Punching



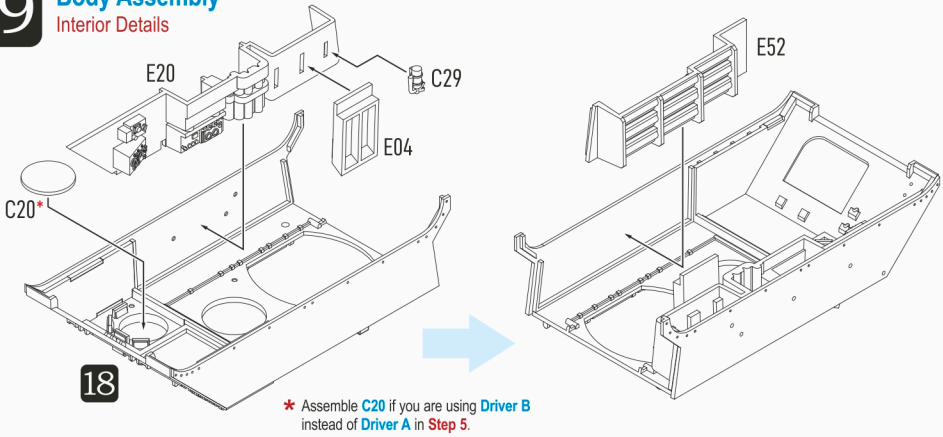
18 Body Assembly

Framework



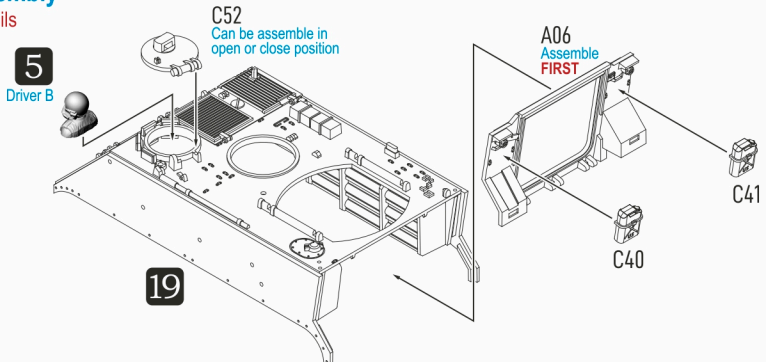
19 Body Assembly

Interior Details



20 Body Assembly


External Details



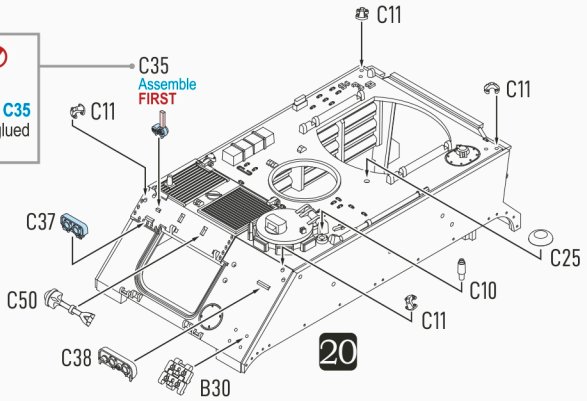
21

Body Assembly

External Details

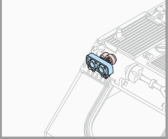
C35 
 Remove **TAB** on **C35**
 after the part is glued
 onto the hull.

C35
 Assemble
FIRST



20

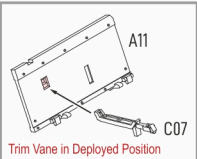
Build References



22

Body Assembly

Trim Vane & Hatches

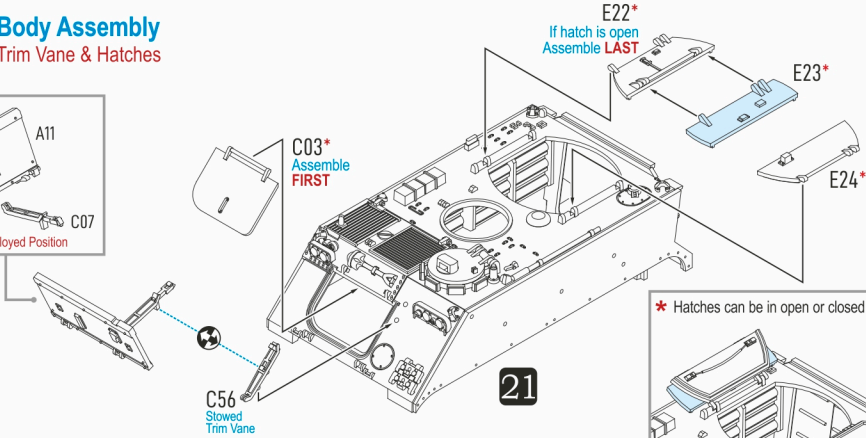


C03*
 Assemble
FIRST

E22*
 If hatch is open
 Assemble **LAST**

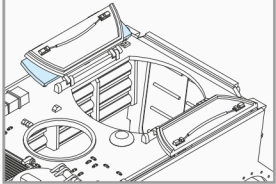
E23*

E24*



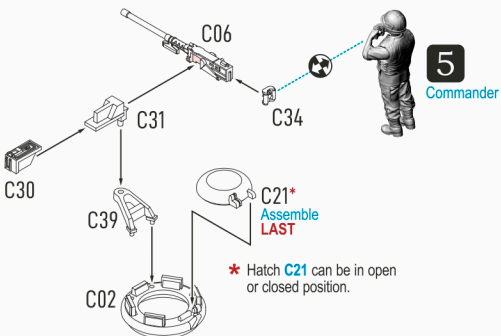
21

* Hatches can be in open or closed position.



23

Turret Assembly



5

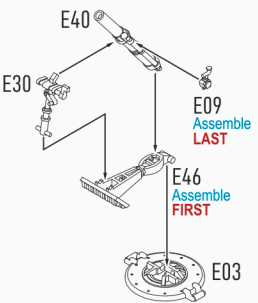
Commander

* Hatch **C21** can be in open or closed position.

24

Weapon Assembly

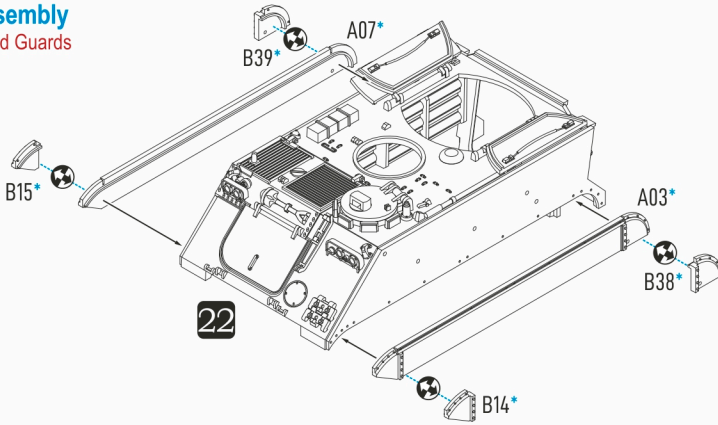
Dismounted Mortar as a standalone unit



25

Body Assembly

Optional Mud Guards

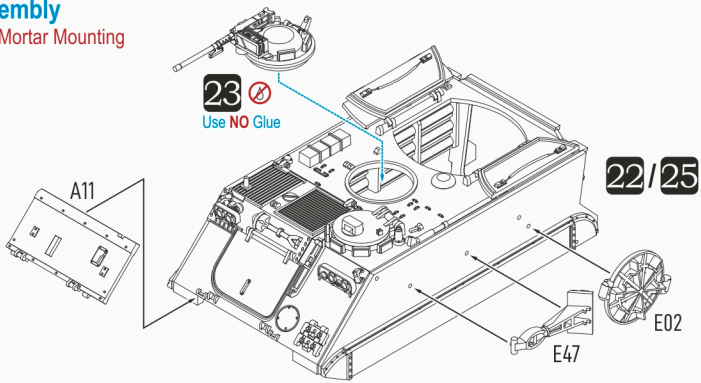


* Optional

26

Body Assembly

MG Turret & Mortar Mounting



27

Body & Chassis Assembly

