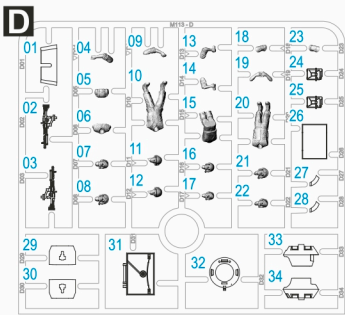
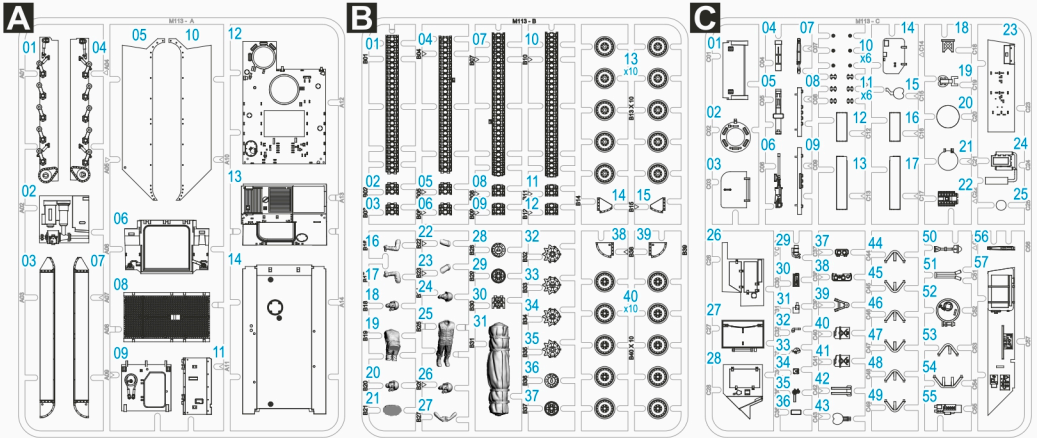




Product Code: **280134**
241003-2



CAUTION

- When you use glue or paint, do not use near a naked flame, and use in a well-ventilated area.
- When assembling this kit, tools including knives are used. Extra care should be taken to avoid personal injury.
- Keep out of reach of small children.

Read carefully and fully understand the instructions before commencing assembly. Model supplied unpainted. Bases, scenery, glue and paint not included. Meaning of symbols used:

- Choices
- Optional
- No glue
- Drill hole
- Bend
- Cut or trim with care

Please use **ABS Plastic Cement** for assembly.

WARNING

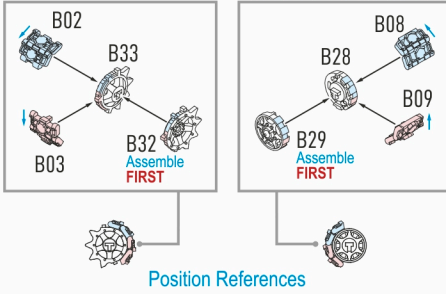
- THIS IS NOT A TOY
- INTENDED FOR COLLECTORS OF AGE 14 AND ABOVE
- CONTAINS SMALL PARTS AND POINTED COMPONENTS
- NOT SUITABLE FOR CHILDREN UNDER 6 YEARS OLD
- MODEL MAY VARY FROM IMAGE ON BOX
- READY TO ASSEMBLE PRECISION MODEL KIT

1

Tracks & Roadwheels Assembly

Left Side

Note the direction of the track links

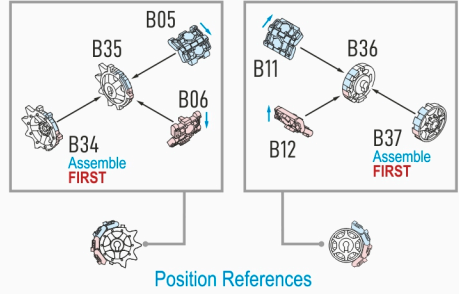


2

Tracks & Roadwheels Assembly

Right Side

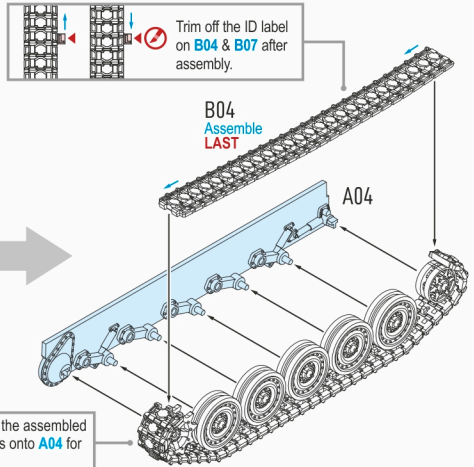
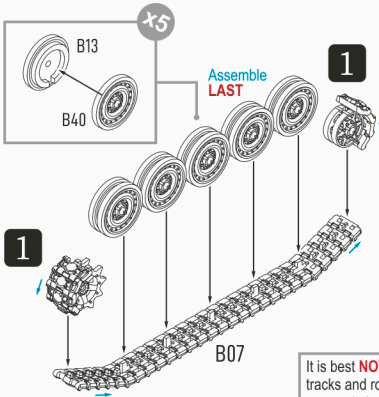
Note the direction of the track links



3

Tracks & Roadwheels Assembly

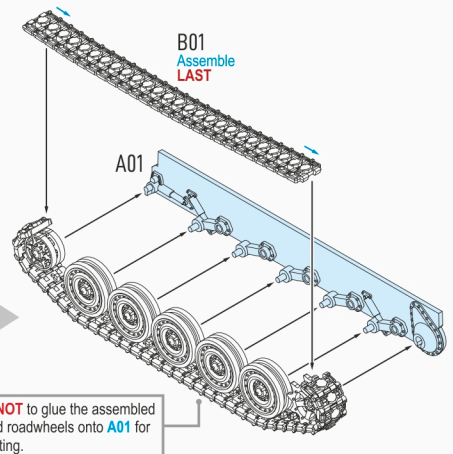
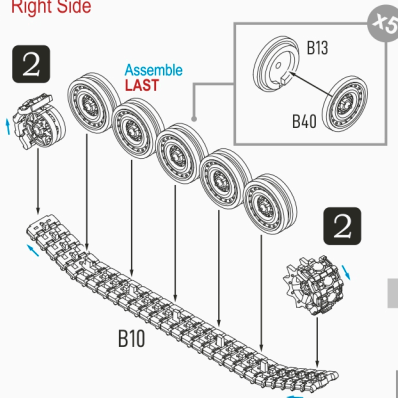
Left Side



4

Tracks & Roadwheels Assembly

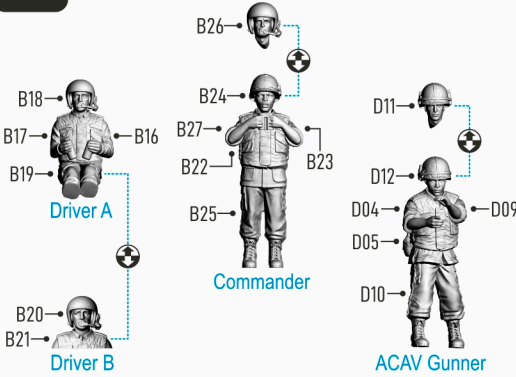
Right Side



5

Figure Assembly

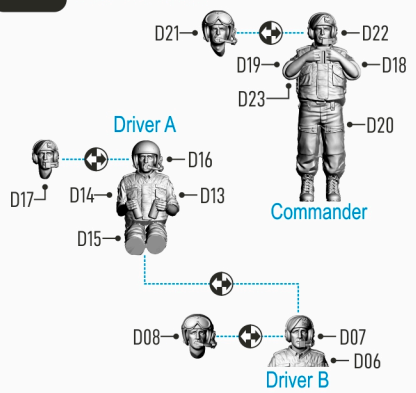
US Crew



6

Figure Assembly

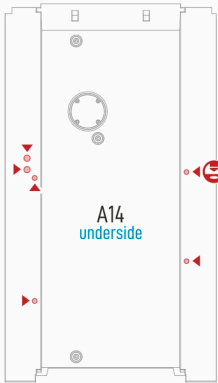
Australian Crew



7

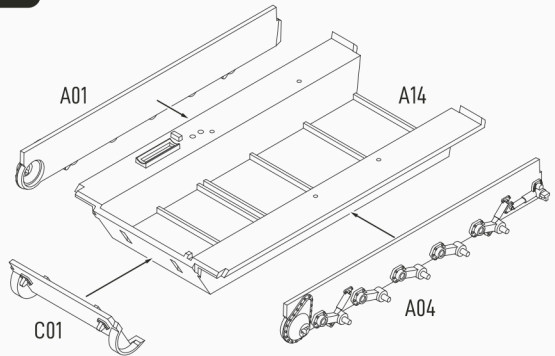
Lower Hull Assembly

Punching Holes



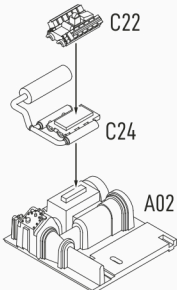
8

Lower Hull Assembly



9

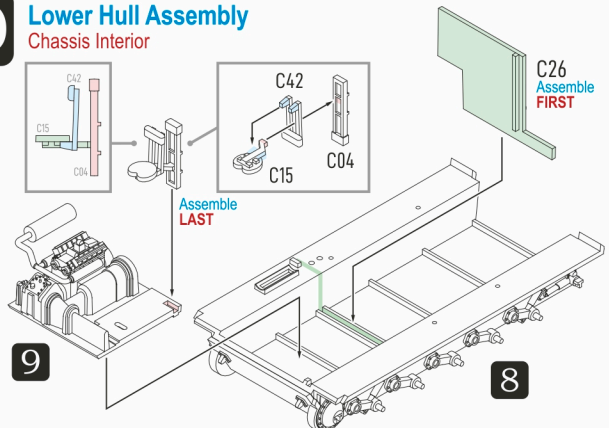
Engine Assembly



10

Lower Hull Assembly

Chassis Interior



11

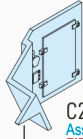
Chassis Assembly

Interior Details

6
Australian
Driver A

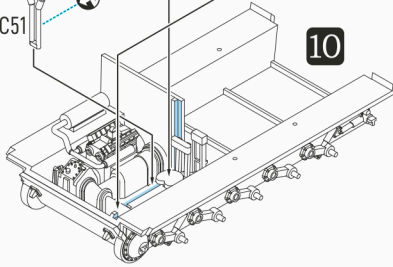


5
American
Driver A



C28
Assemble
FIRST

C51



12

Chassis Assembly

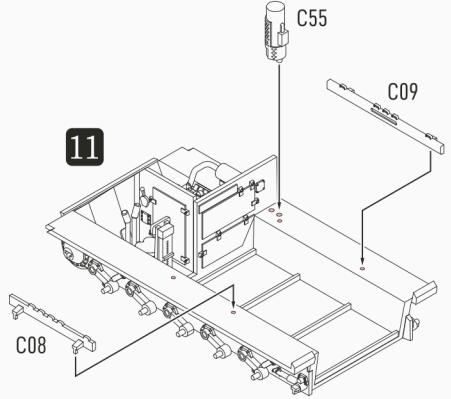
Interior Details

C55

C09

11

C08



13

Chassis Assembly

Interior Details

12

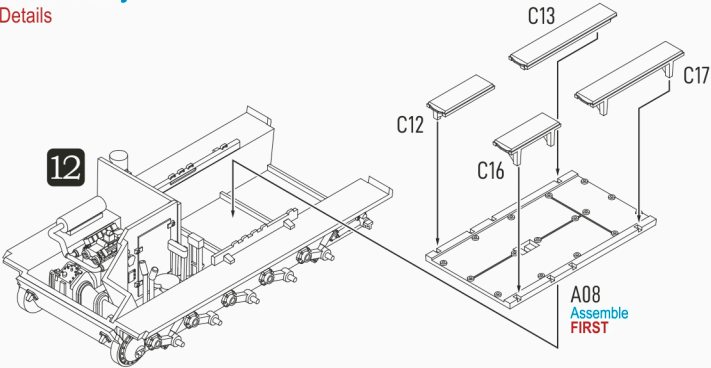
C13

C17

C12

C16

A08
Assemble
FIRST



14

Chassis Assembly

Interior Details

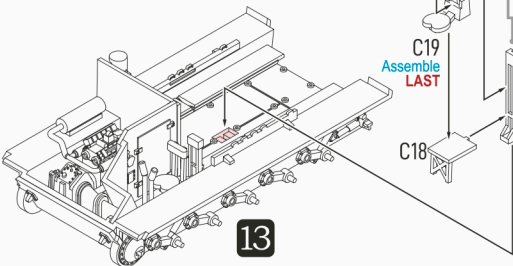
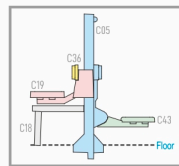
C36

C19
Assemble
LAST

C18

C43

C05
Assemble
FIRST



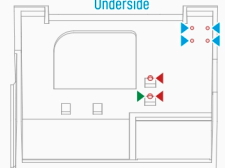
13


15




Body Assembly

Hole Punching

A13
Underside

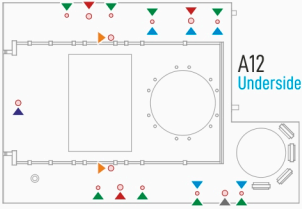


 Punch holes for the following options:

-  Spare Tracks
-  Trim Vane stowed
-  Trim Vane in use

16 Body Assembly

Hole Punching



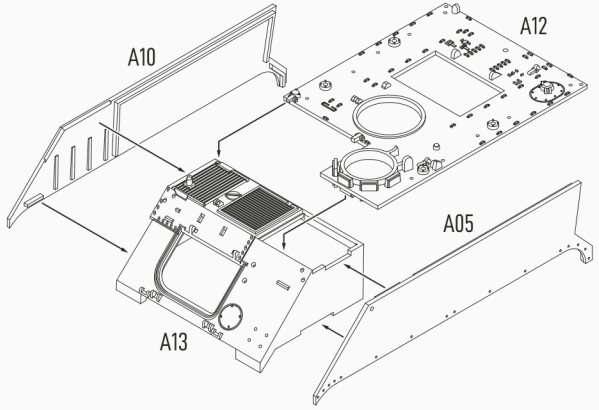
A12
Underside

- First antenna position*
- US & OZ optional antenna
- US & OZ antenna guard
- US ACAV antenna guard & optional antenna
- US ACAV M60 machine guns
- US & ACAV air inlet ventilator

* There is only one antenna in a typical configuration. Additional antennae are optional.

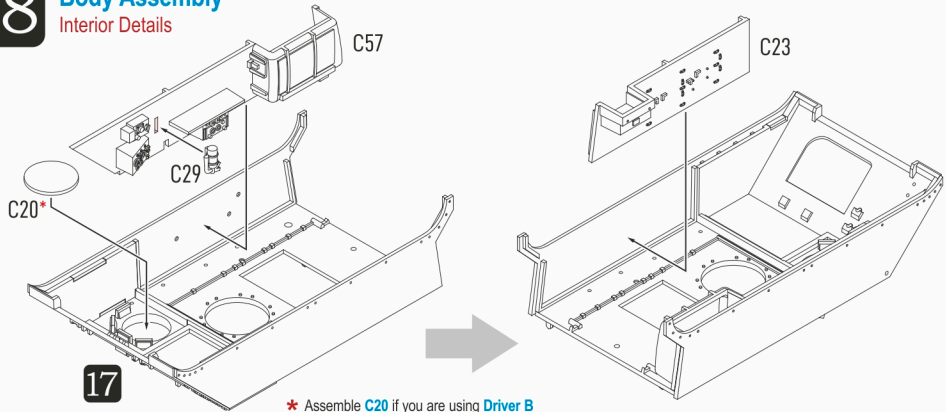
17 Body Assembly

Framework



18 Body Assembly

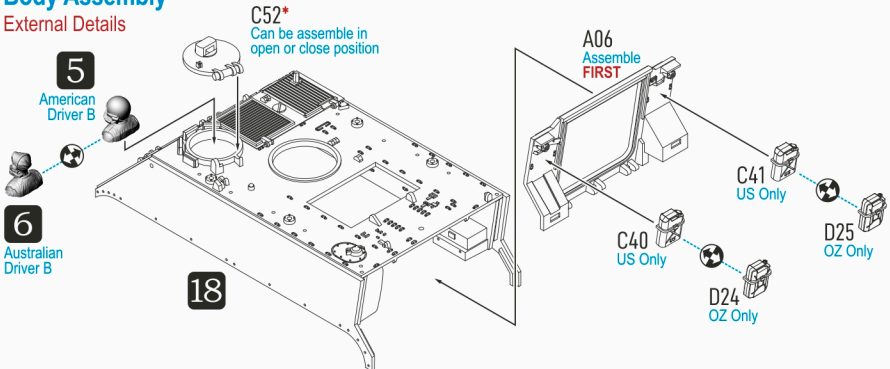
Interior Details



* Assemble C20 if you are using Driver B instead of Driver A in Step 5 or Step 6.

19 Body Assembly

External Details



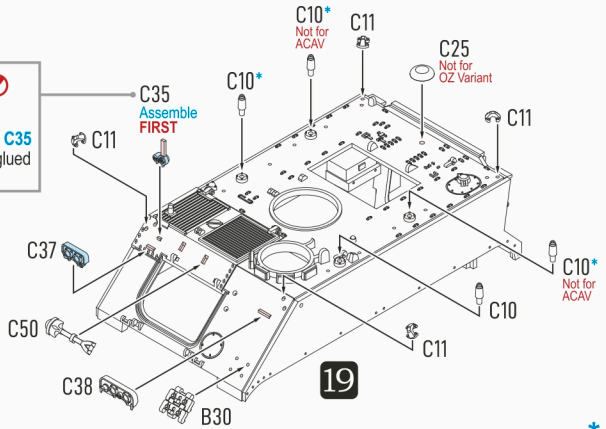
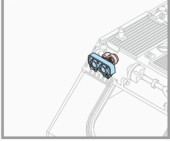
20

Body Assembly

External Details

C35
Remove **TAB** on **C35** after the part is glued onto the hull.

Build References



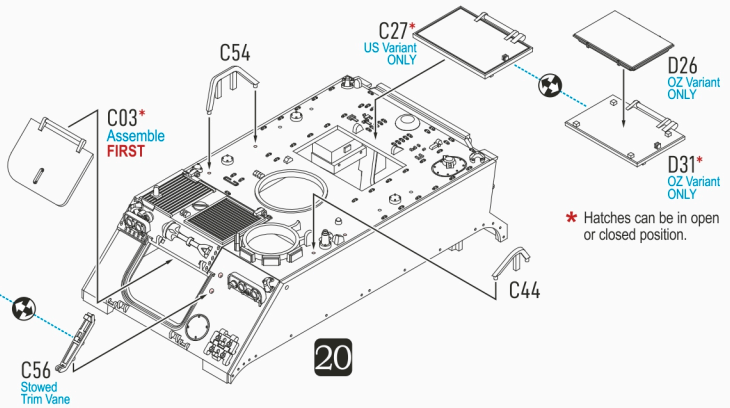
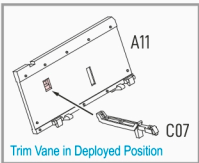
19

* Optional

21

Body Assembly

Trim Vane & Hatches

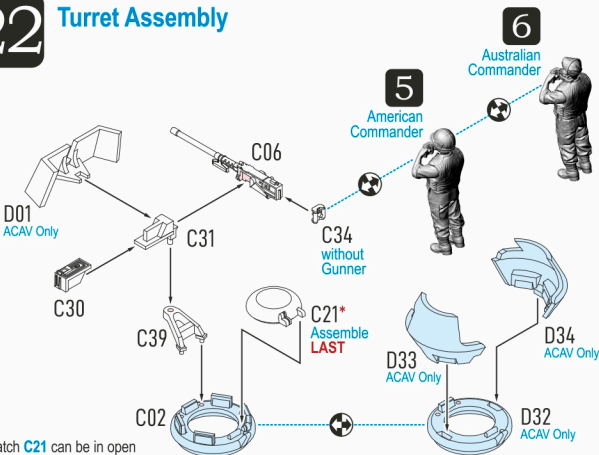


20

* Hatches can be in open or closed position.

22

Turret Assembly

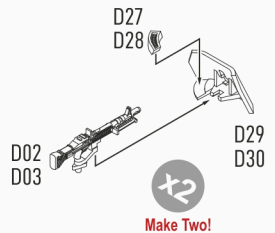


* Hatch **C21** can be in open or closed position.

23

Weapon Assembly

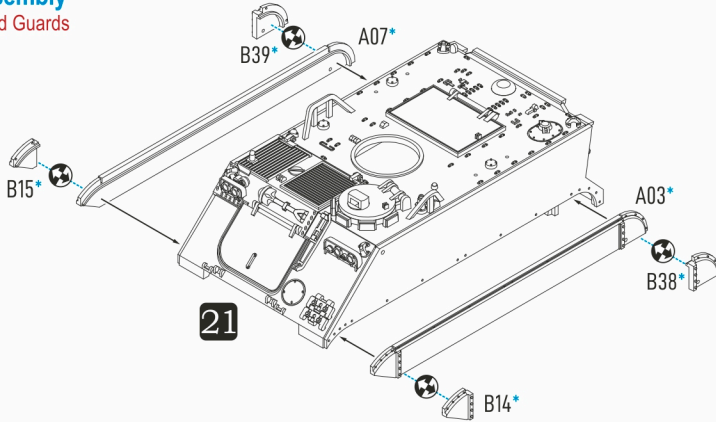
for ACAV Variant



24

Body Assembly

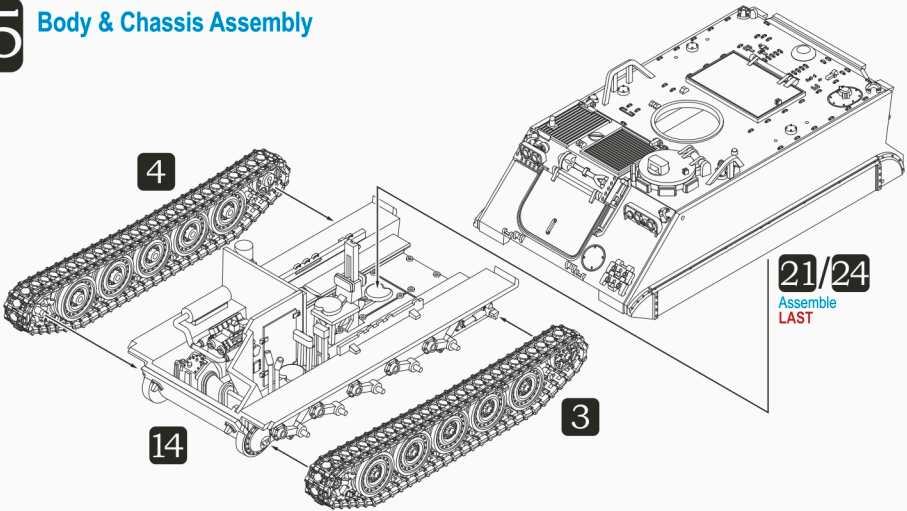
Optional Mud Guards



* Optional

25

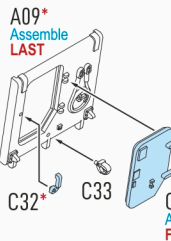
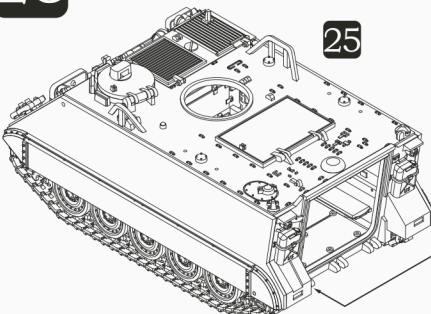
Body & Chassis Assembly



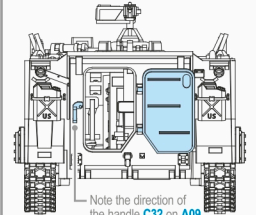
21/24
Assemble
LAST

26

Rear Exit Door Assembly



Build Reference for C14 & C32 with Rear Exit Door opened.



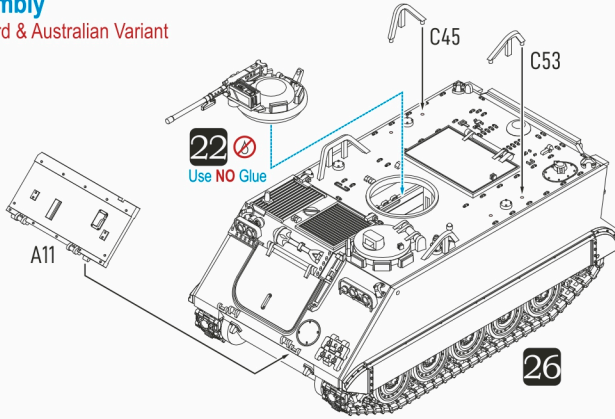
Note the direction of the handle C32 on A09 Should be pointing downward if the rear exit door is opened.

* Exit Door C14 and Rear Ramp A09 can be assembled in open or closed position.

27

Final Assembly

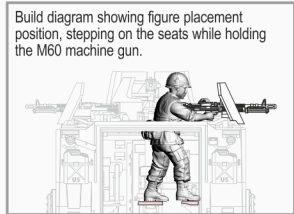
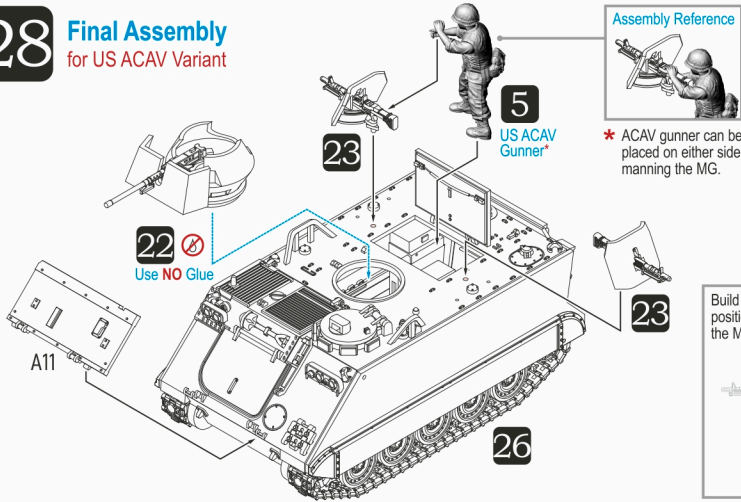
for US Standard & Australian Variant



28

Final Assembly

for US ACAV Variant

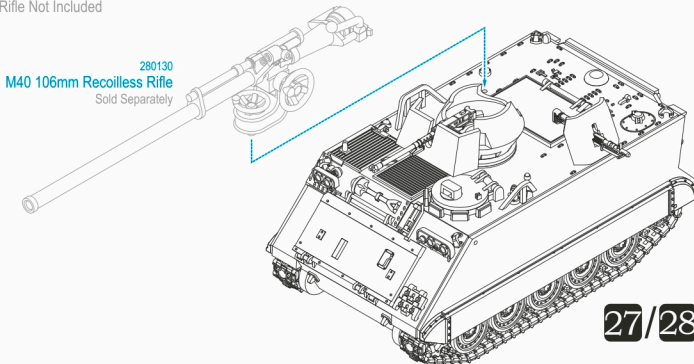


29

US M113A1 with M40 Recoilless Rifle

Conversion Example

Recoilless Rifle Not Included



27/28