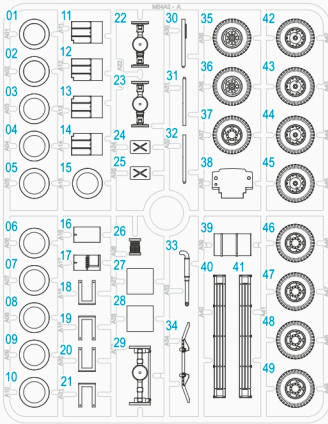
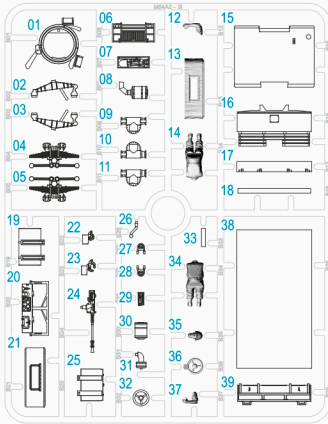




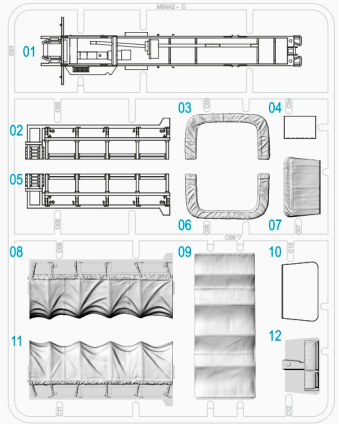
Product Code: 280133
221018-2



A



B



C



- When you use glue or paint, do not use near a naked flame, and use in a well-ventilated area.
- When assembling this kit, tools including knives are used. Extra care should be taken to avoid personal injury.
- Keep out of reach of small children.

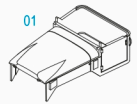
Read carefully and fully understand the instructions before commencing assembly. Model supplied unpainted. Bases, scenery, glue and paint not included. Meaning of symbols used:

- Choices
- Optional
- No Glue
- Drill Hole
- Bend
- Cut with care

Please use **ABS Plastic Cement** for assembly.

WARNING

- THIS IS NOT A TOY
- INTENDED FOR COLLECTORS OF AGE 14 AND ABOVE
- CONTAINS SMALL PARTS AND POINTED COMPONENTS
- NOT SUITABLE FOR CHILDREN UNDER 6 YEARS OLD
- MODEL MAY VARY FROM IMAGE ON BOX
- READY TO ASSEMBLE PRECISION MODEL KIT

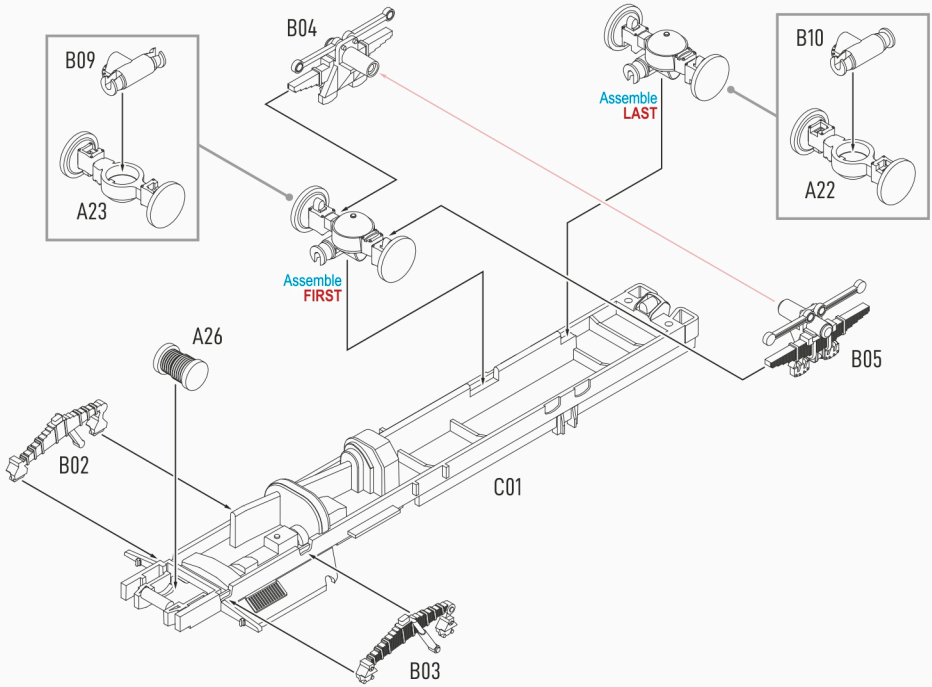


D

1

Lower Chassis Assembly

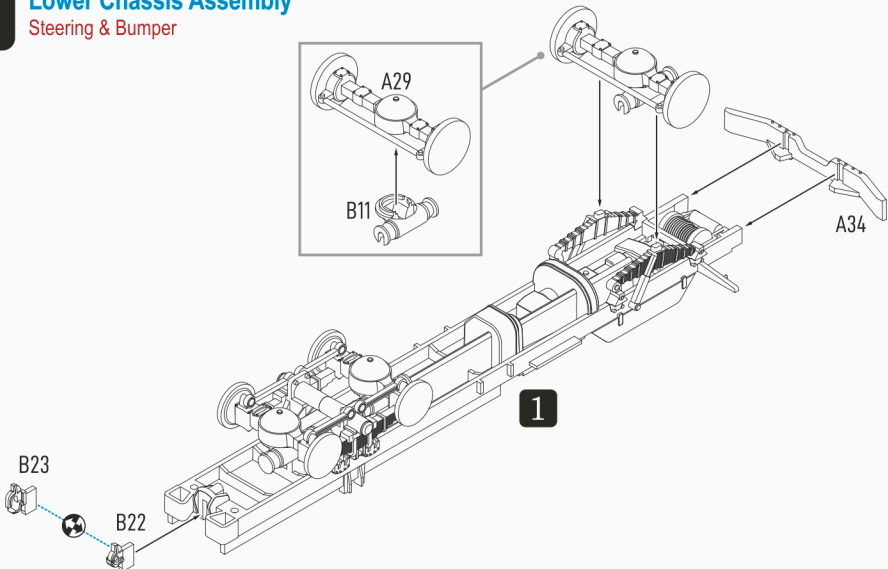
Suspensions



2

Lower Chassis Assembly

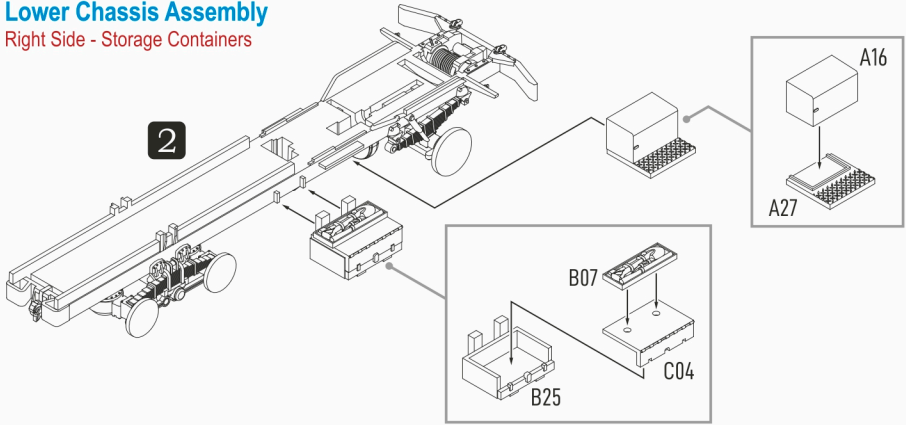
Steering & Bumper



3

Lower Chassis Assembly

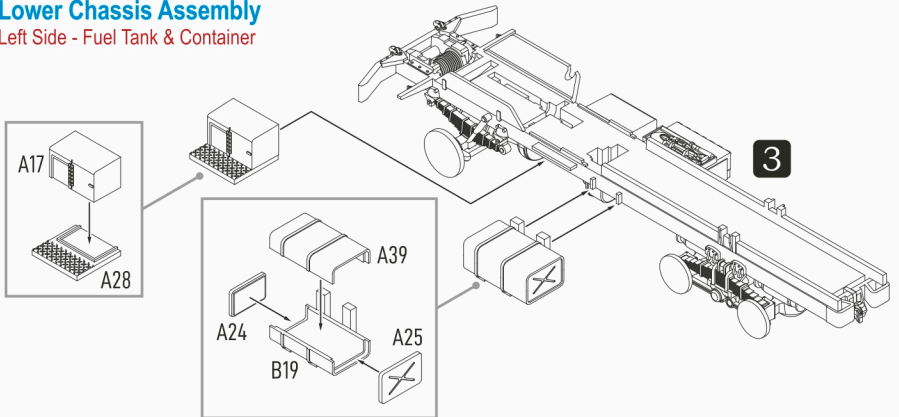
Right Side - Storage Containers



4

Lower Chassis Assembly

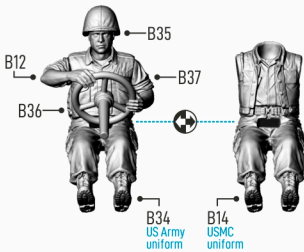
Left Side - Fuel Tank & Container



5

Driver

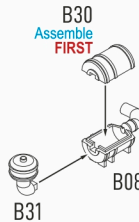
in **US Army / USMC** Uniform (optional)



6

Cabin Assembly

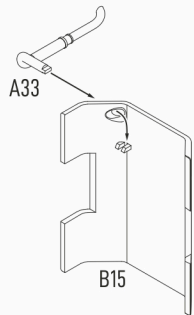
Air Intake / Cleaner



7

Cabin Assembly

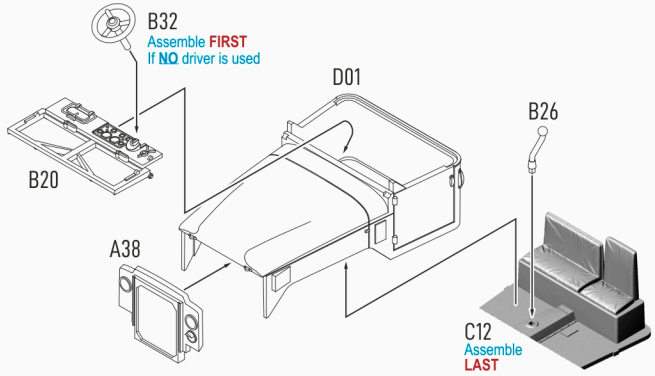
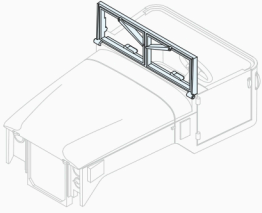
Exhaust



8

Cabin Assembly

Build References

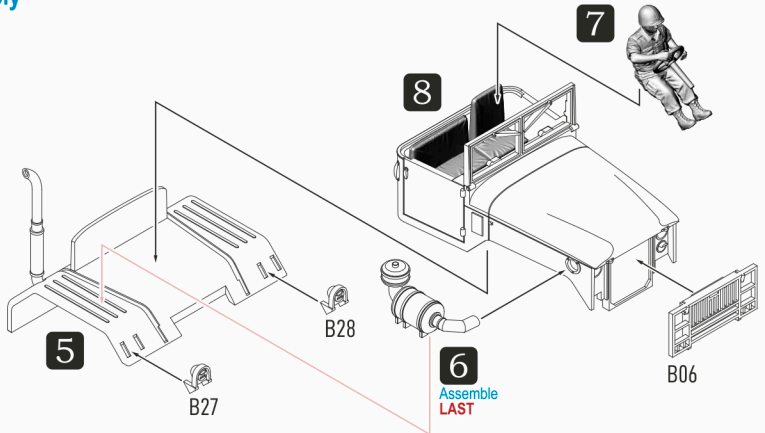
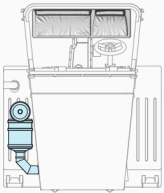


9

Cabin Assembly

Build References

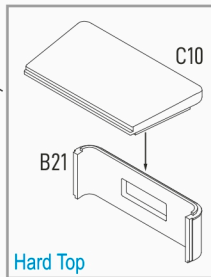
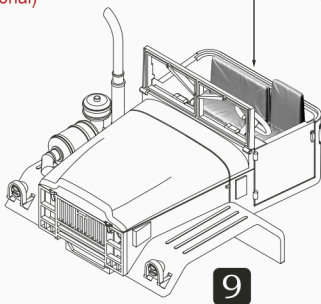
Top view of the air intake



10

Cabin Assembly

with Hardtop or Tarpaulin Cover
(optional)

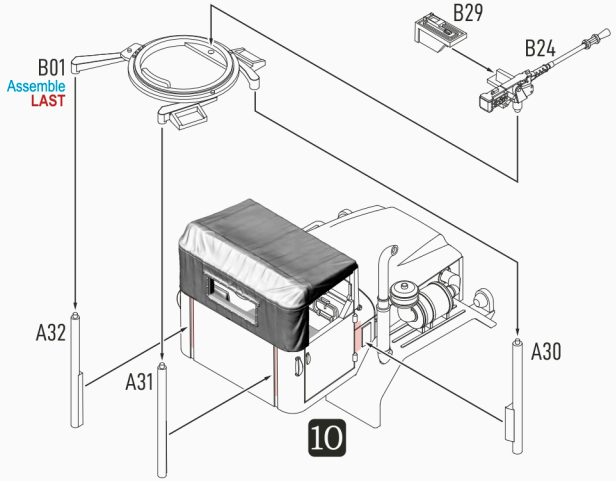
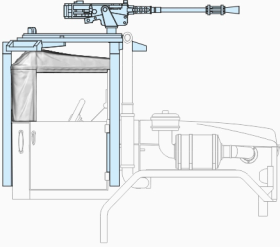


11

Cabin Assembly

with or without Tarpaulin Cover (optional)

Build References



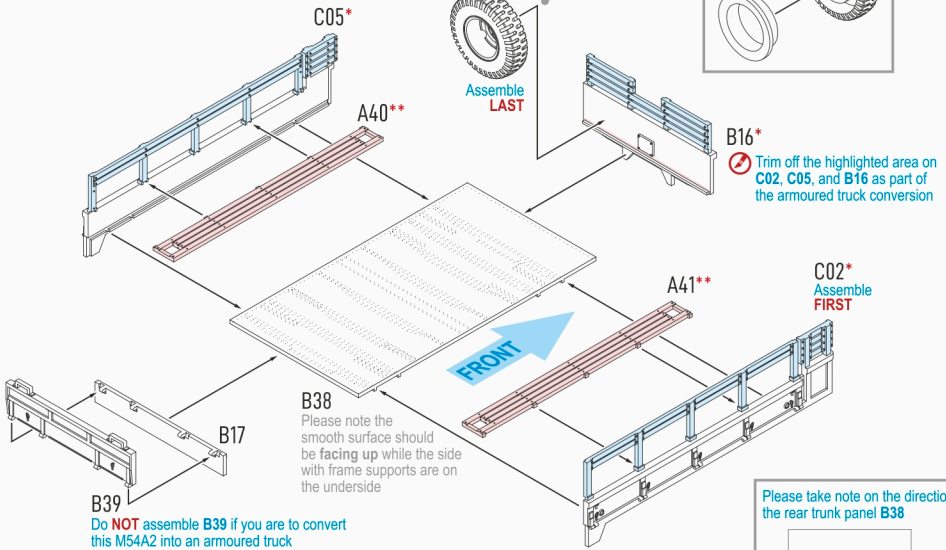
- Continue with **Step 12** if Rear Truck is without Tarpaulin Top.
- Skip to **Step 13** if Rear Truck is with Tarpaulin Top.

12

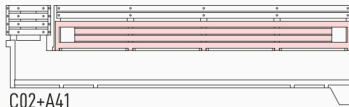
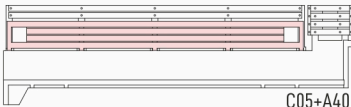
Rear Trunk Assembly

without Tarpaulin Top

Go to **STEP 15** after assembly



⚠ The bench **A40** and **A41** can be assembled in extended or folded up position.
Do **NOT** use the bench if you are to convert this M54A2 into an armored truck.



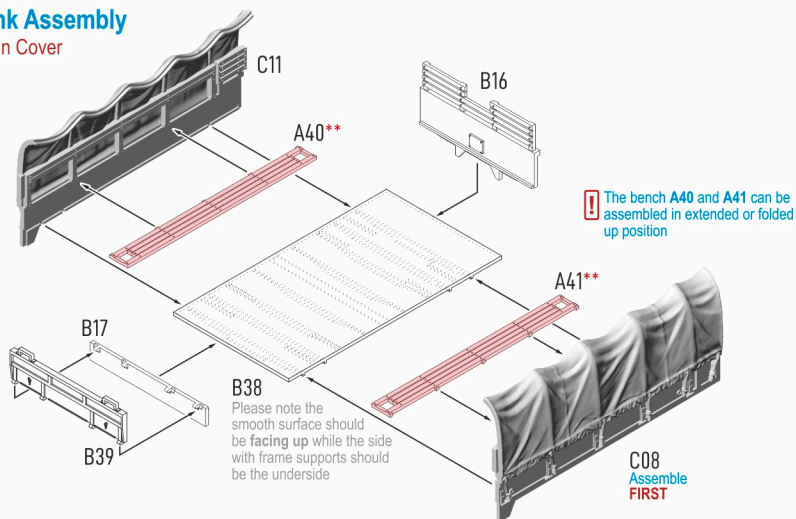
Please take note on the direction of the rear trunk panel **B38**



B38
Underside

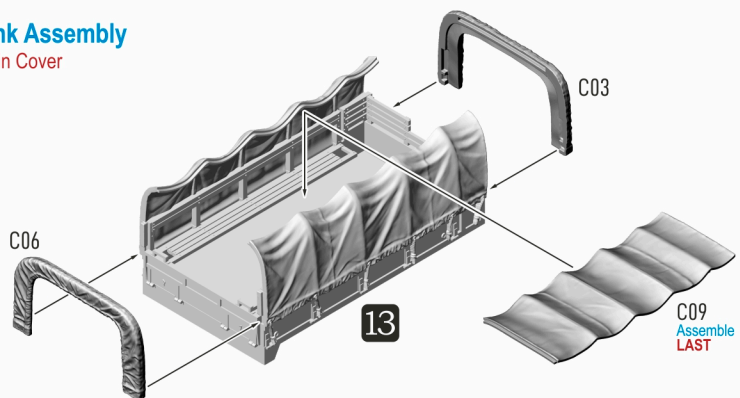
13 Rear Trunk Assembly

with Tarpaulin Cover



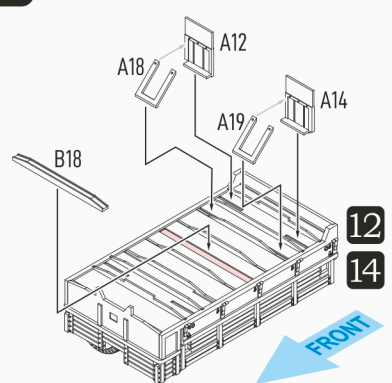
14 Rear Trunk Assembly

with Tarpaulin Cover



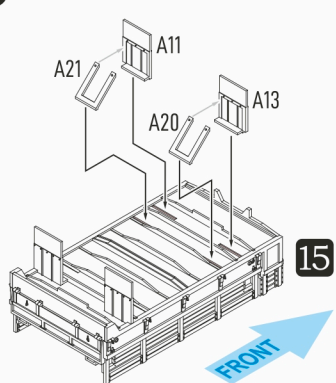
15 Rear Trunk Assembly

Underside - Rear Mudflaps



16 Rear Trunk Assembly

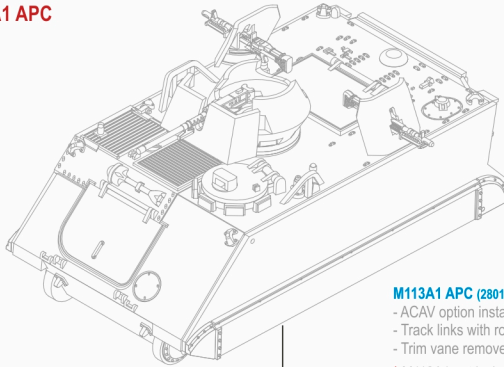
Underside - Front Mudflaps



20

Armoured Car Conversion

using **M54A2 Truck** and **M113A1 APC**

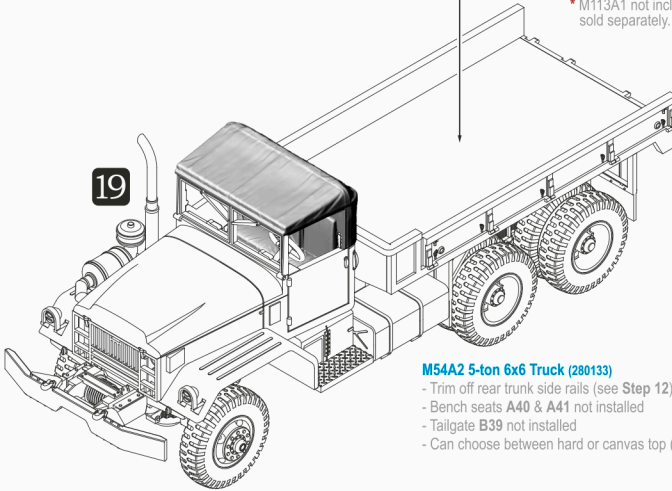


M113A1 APC (280134) *

- ACAV option installed
- Track links with roadwheels removed
- Trim vane removed

* M113A1 not included with this kit, sold separately.

19



M54A2 5-ton 6x6 Truck (280133)

- Trim off rear trunk side rails (see Step 12)
- Bench seats A40 & A41 not installed
- Tailgate B39 not installed
- Can choose between hard or canvas top (see Step 10)

21

Armoured Car Conversion (Side View)

using **M54A2 Truck** and **M113A1 APC**

