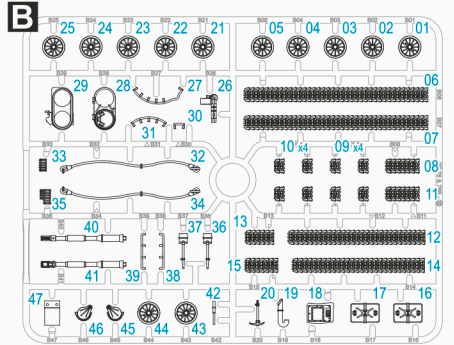
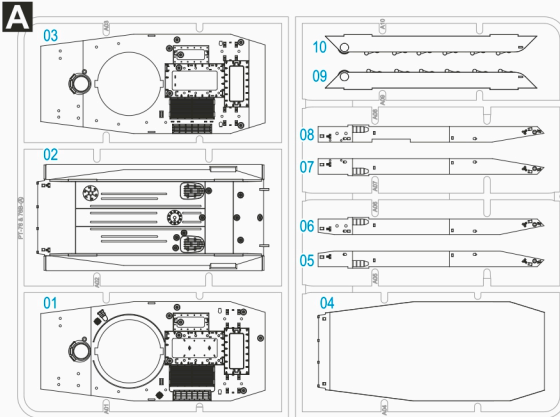
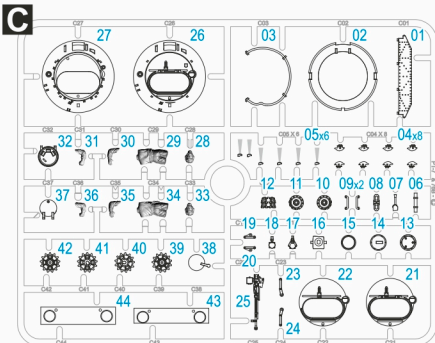




Product Code: 280129
210825-2



WARNING • THIS IS NOT A TOY • INTENDED FOR COLLECTORS OF AGE 14 AND ABOVE • CONTAINS SMALL PARTS AND POINTED COMPONENTS • NOT SUITABLE FOR CHILDREN UNDER 6 YEARS OLD • MODEL MAY VARY FROM IMAGE ON BOX • READY TO ASSEMBLE PRECISION MODEL KIT



- When you use glue or paint, do not use near a naked flame, and use in a well-ventilated area.
- When assembling this kit, tools including knives are used. Extra care should be taken to avoid personal injury.
- Keep out of reach of small children.

Read carefully and fully understand the instructions before commencing assembly. Model supplied unpainted. Bases, scenery, glue and paint not included. Meaning of symbols used:



Choices



Optional



No glue



Drill hole



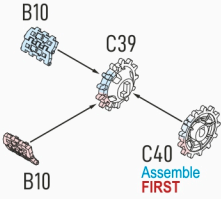
Bend



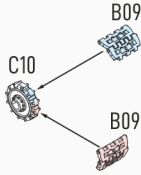
Cut or trim with care



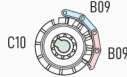
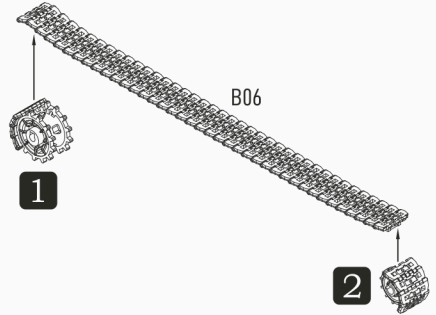
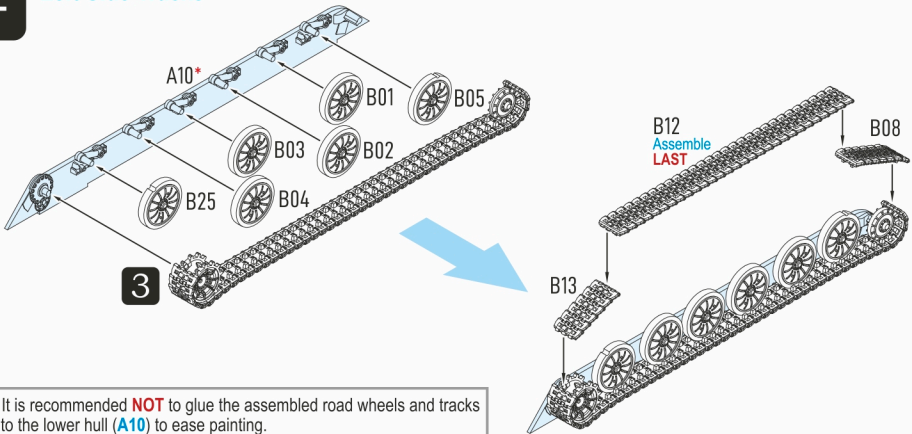
Please use **ABS Plastic Cement** for assembly.

1**Left Side Tracks**

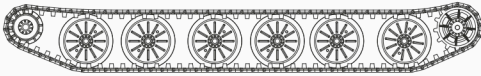
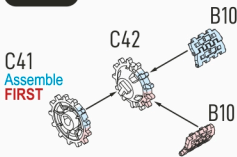
Build Reference

**2****Left Side Tracks**

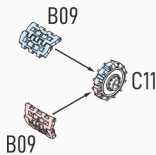
Build Reference

**3****Left Side Tracks****4****Left Side Tracks**

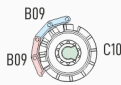
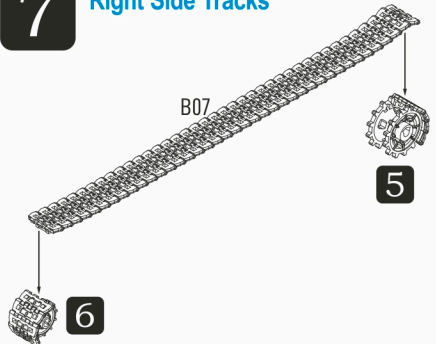
TIPS: It is recommended **NOT** to glue the assembled road wheels and tracks to the lower hull (**A10**) to ease painting.

**5****Right Side Tracks**

Build Reference

**6****Right Side Tracks**

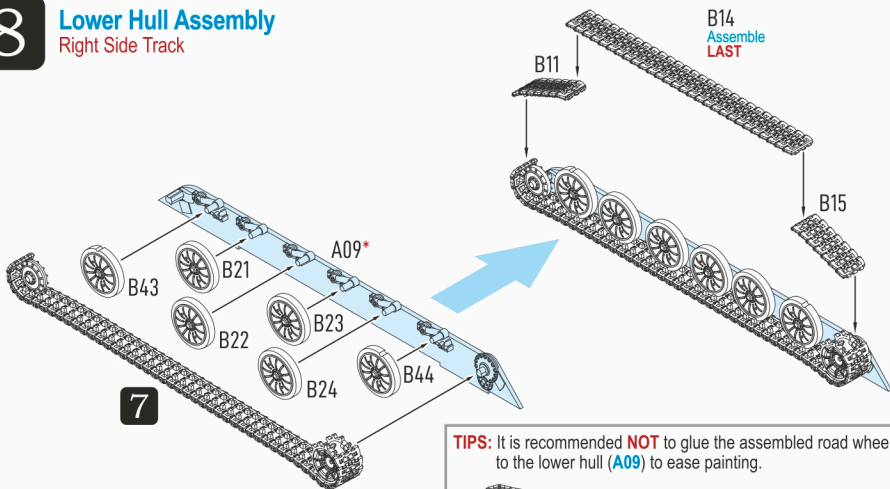
Build Reference

**7****Right Side Tracks**

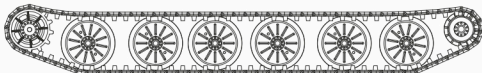
8

Lower Hull Assembly

Right Side Track



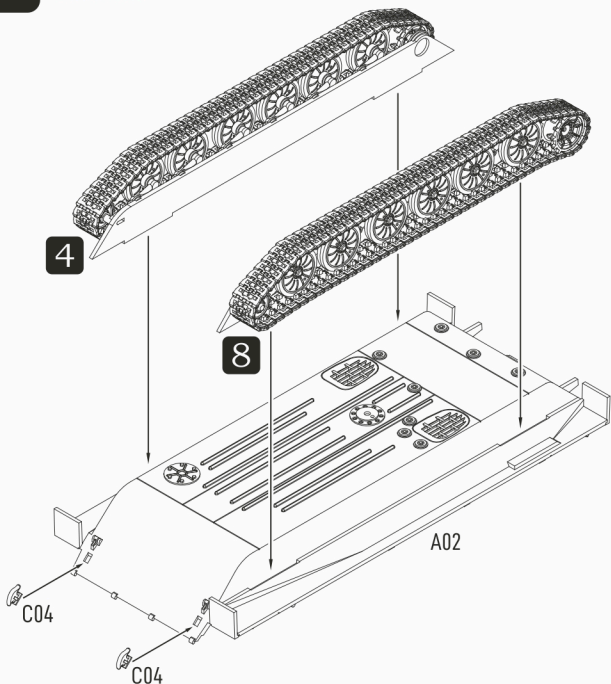
TIPS: It is recommended **NOT** to glue the assembled road wheels and tracks to the lower hull (A09) to ease painting.



9

Lower Hull Assembly

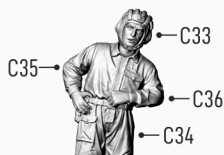
Completion



10

Commander

Pre 1969



* Soviet crew, not for PT-76 Vietnam variant.

11

Commander

Post 1969



* Soviet crew, not for PT-76 Vietnam variant.

 Continue with **Step 12** for **PT-76**

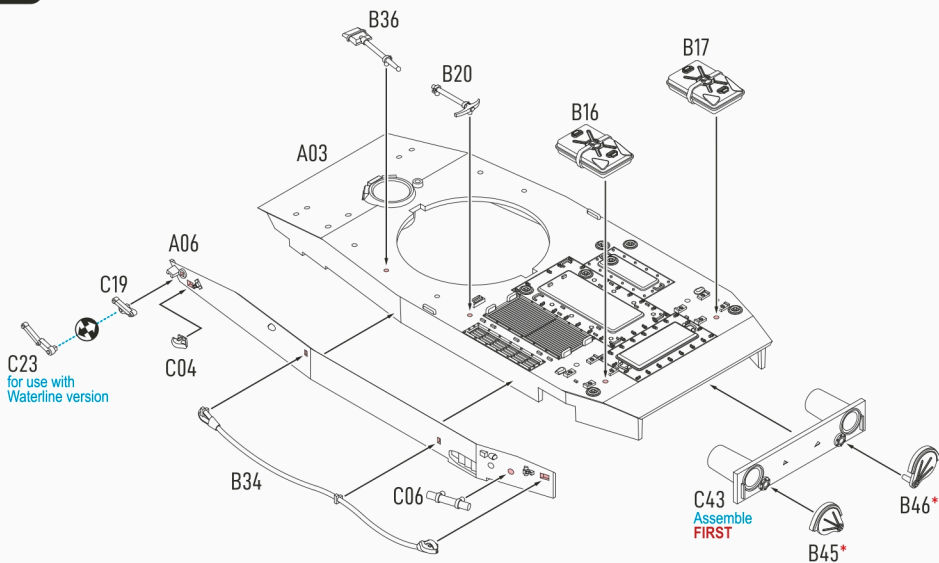
 Skip to **Step 18** for **PT-76B**
or **PT-76** (Vietnam variant)



12

Upper Hull Assembly

PT-76 Left Side & Rear

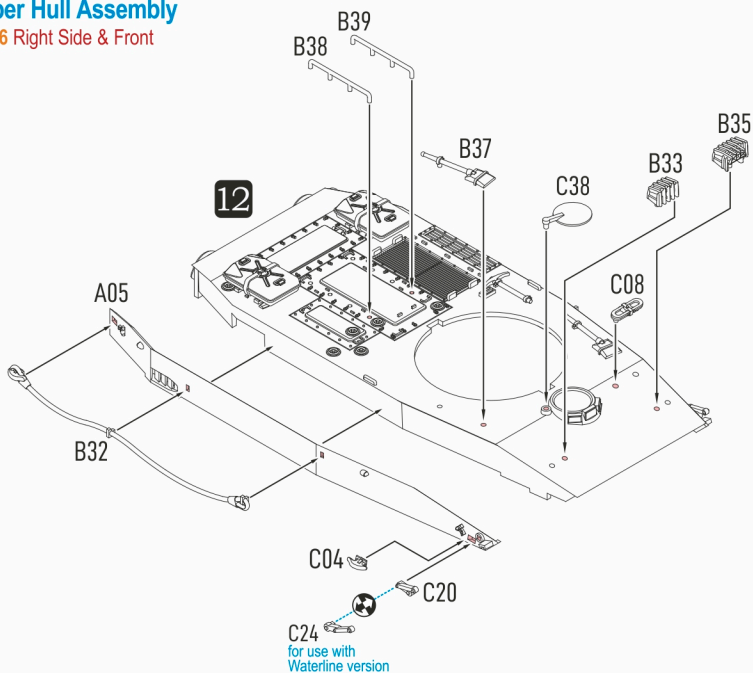


* Can be assembled in open (waterline version) or close (land version) position

13

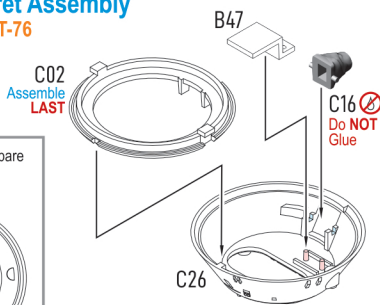
Upper Hull Assembly

PT-76 Right Side & Front



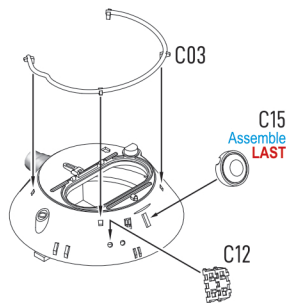
14 Turret Assembly for PT-76

Punch holes if spare tracks are used.



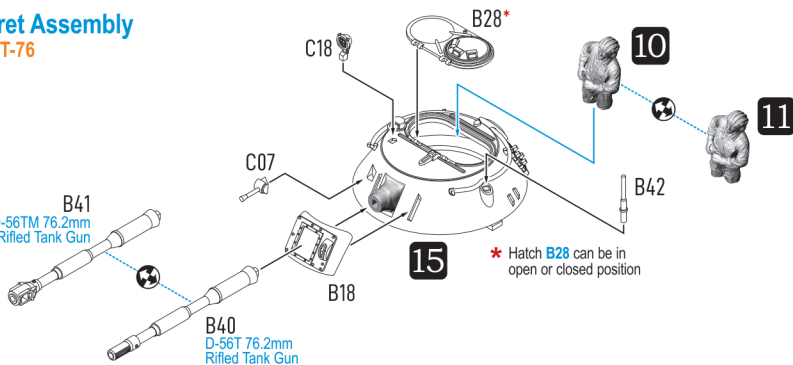
15 Turret Assembly for PT-76

14



16 Turret Assembly for PT-76

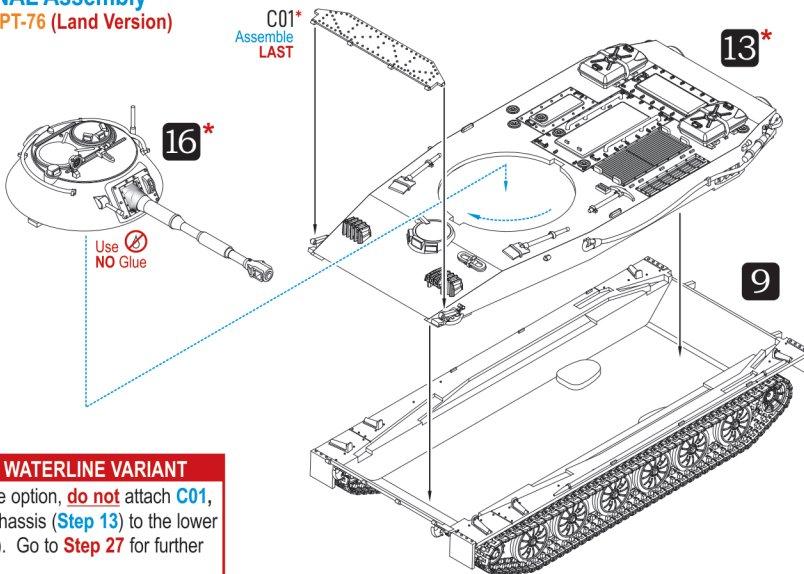
B41
D-56TM 76.2mm
Rifled Tank Gun



* Hatch B28 can be in open or closed position

17 FINAL Assembly for PT-76 (Land Version)

Use NO Glue



NOTE ON WATERLINE VARIANT

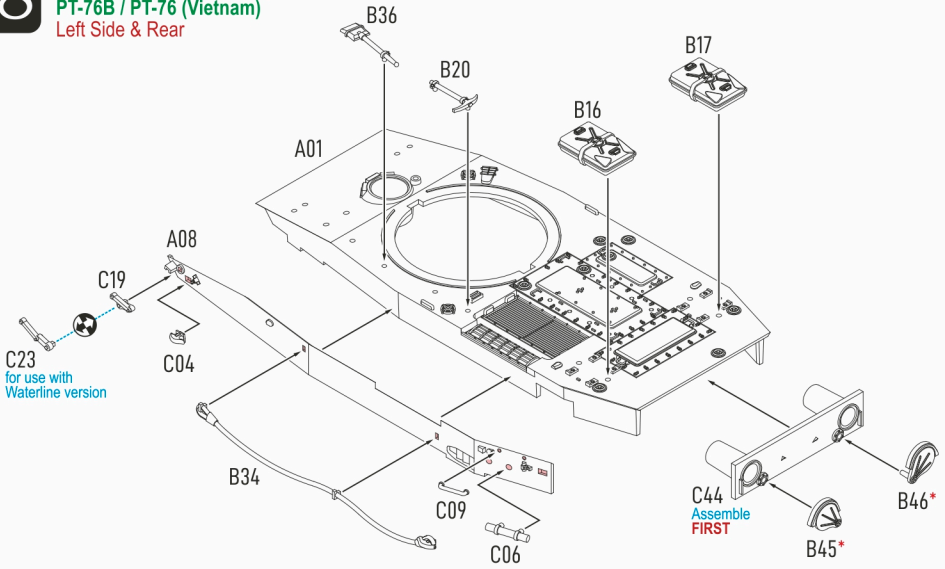
* For waterline option, **do not** attach C01, and upper chassis (Step 13) to the lower hull (Step 9). Go to Step 27 for further instruction.

18

Lower Hull Assembly

PT-76B / PT-76 (Vietnam)

Left Side & Rear



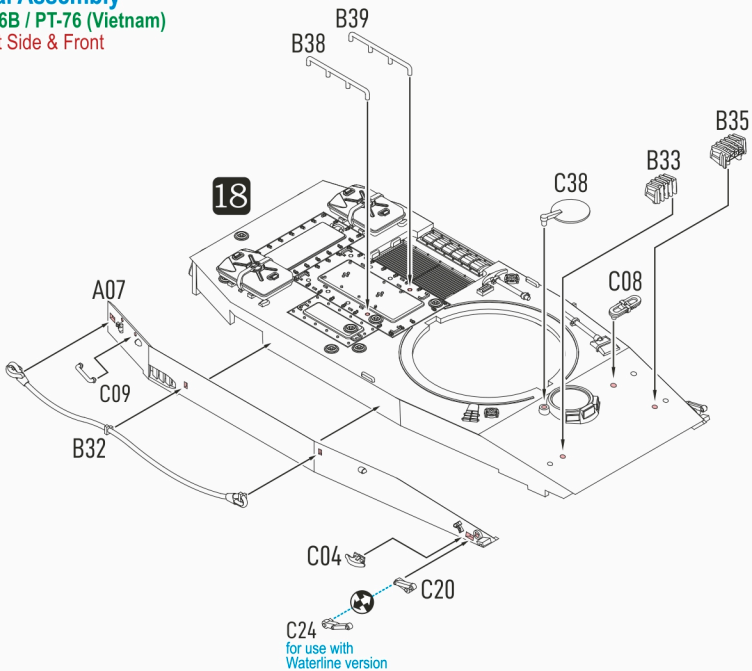
* Can be assembled in open (waterline version) or close (land version) position

19

Final Assembly

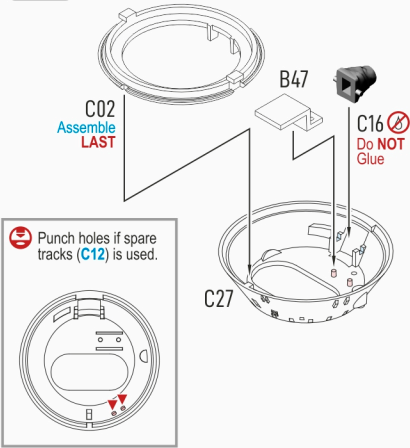
PT-76B / PT-76 (Vietnam)

Right Side & Front



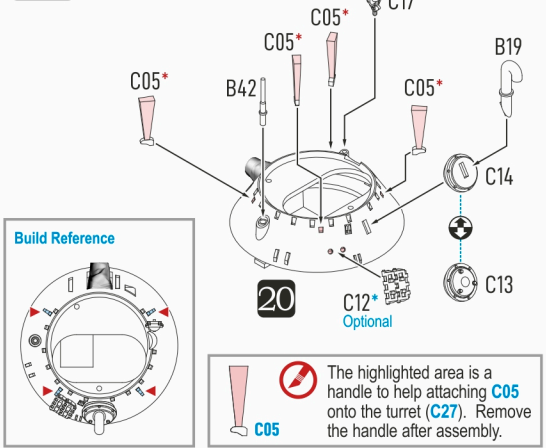
20

Turret Assembly PT-76B / PT-76 (Vietnam)



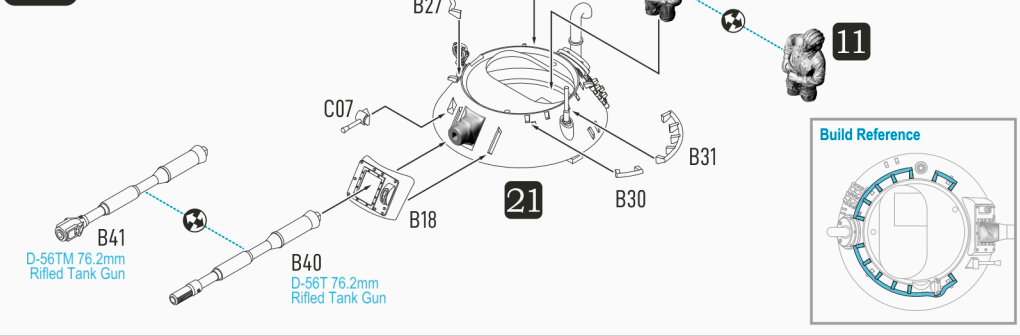
21

Turret Assembly PT-76B / PT-76 (Vietnam)



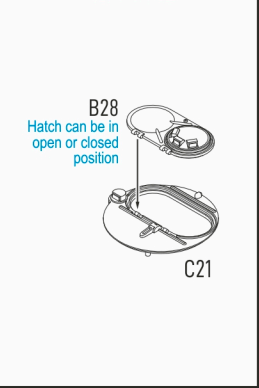
22

Turret Assembly PT-76B / PT-76 (Vietnam)



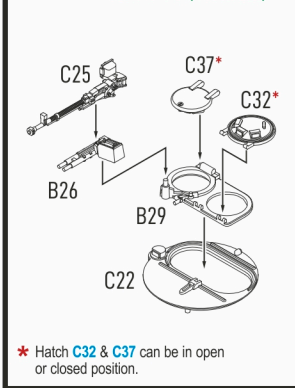
23

Turret Assembly for PT-76B



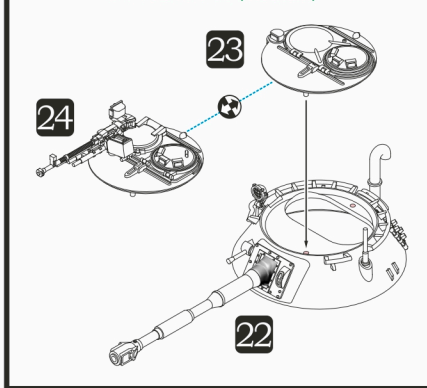
24

Turret Assembly for PT-76 (Vietnam)



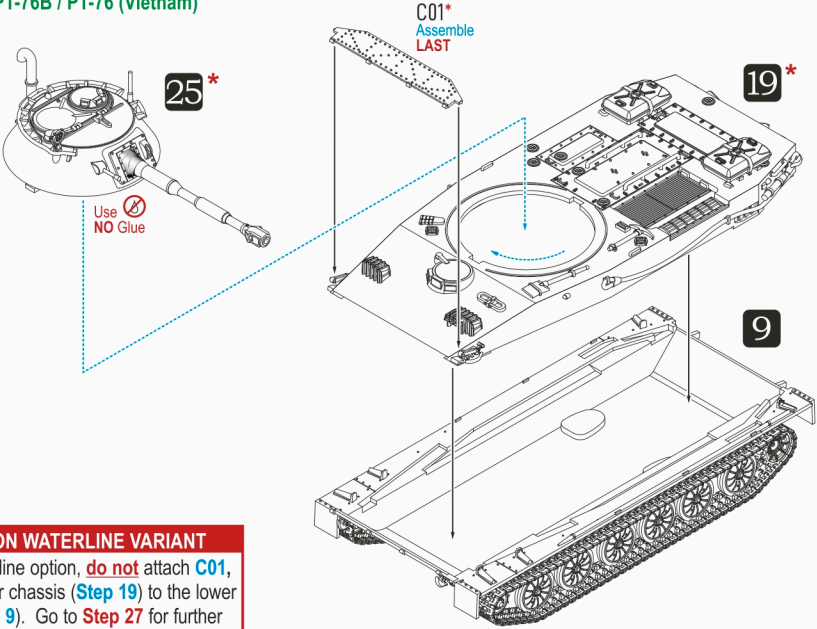
25

Turret Assembly PT-76B / PT-76 (Vietnam)



26

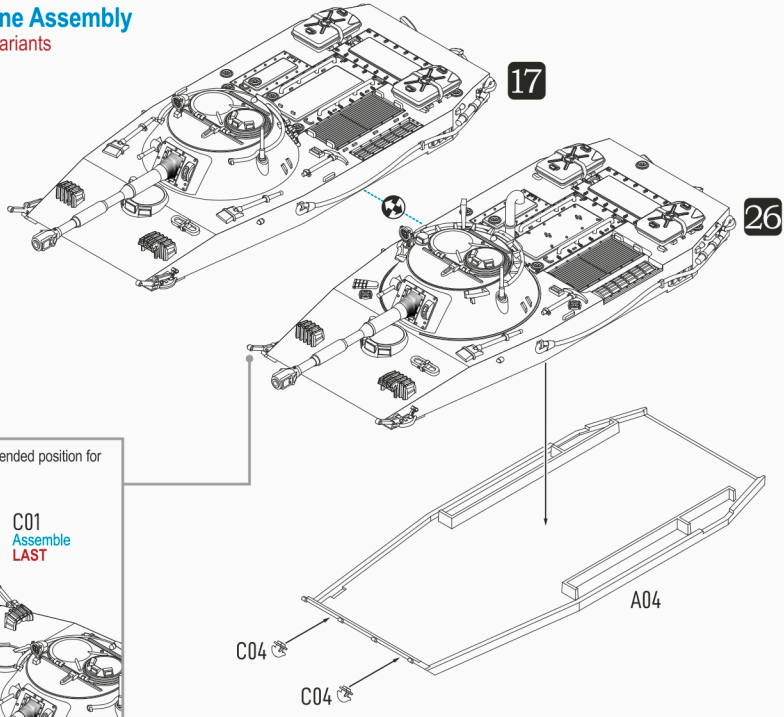
Final Assembly PT-76B / PT-76 (Vietnam)



NOTE ON WATERLINE VARIANT
* For waterline option, **do not** attach C01, and upper chassis (Step 19) to the lower hull (Step 9). Go to Step 27 for further instruction.

27

Waterline Assembly for ALL variants



* Make sure C01 is in extended position for the waterline variant.

C01
Assemble
LAST