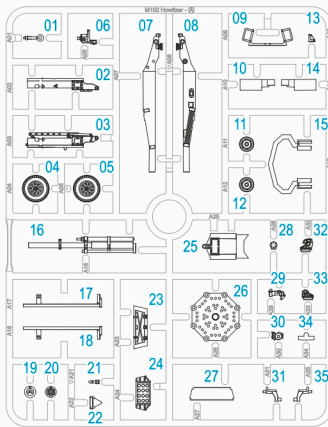
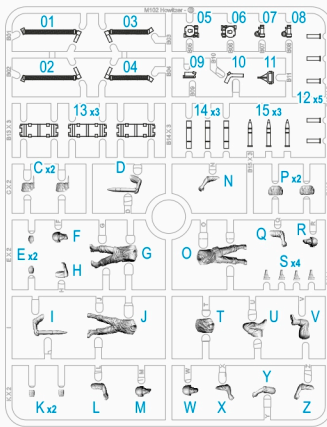




Product Code: 280126  
220711-2



A



B



- When you use glue or paint, do not use near a naked flame, and use in a well-ventilated area.
- When assembling this kit, tools including knives are used. Extra care should be taken to avoid personal injury.
- Keep out of reach of small children.

Read carefully and fully understand the instructions before commencing assembly. Model supplied unpainted. Bases, scenery, glue and paint not included. Meaning of symbols used:



Choices



Optional



No glue



Drill hole



Bend

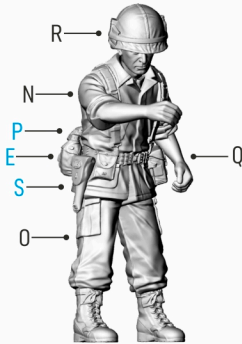
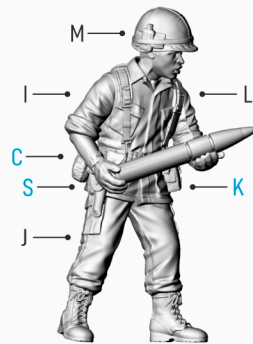
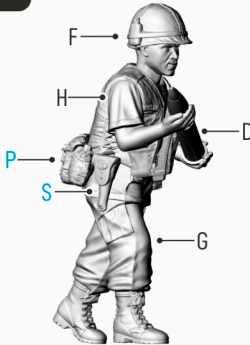
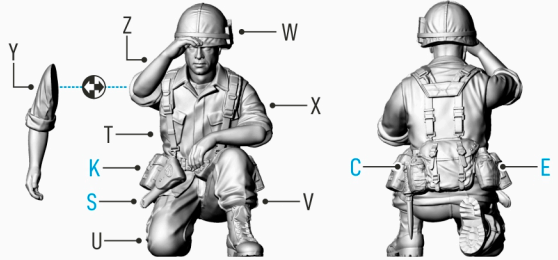
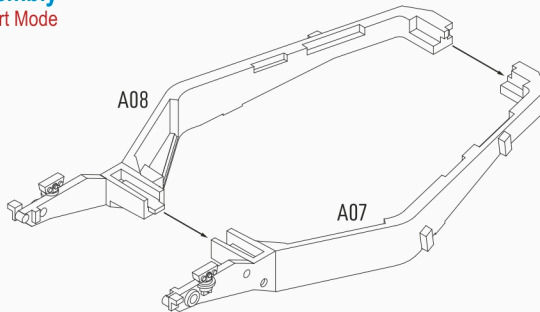


Cut or trim with care

 Please use **ABS Plastic Cement** for assembly.

### WARNING

- THIS IS NOT A TOY
- INTENDED FOR COLLECTORS OF AGE 14 AND ABOVE
- CONTAINS SMALL PARTS AND POINTED COMPONENTS
- NOT SUITABLE FOR CHILDREN UNDER 6 YEARS OLD
- MODEL MAY VARY FROM IMAGE ON BOX
- READY TO ASSEMBLE PRECISION MODEL KIT

**1****Gun Crew A****2****Gun Crew B****3****Gun Crew C****4****Gun Crew D****5****Carriage Assembly**  
On-Tow / Transport Mode

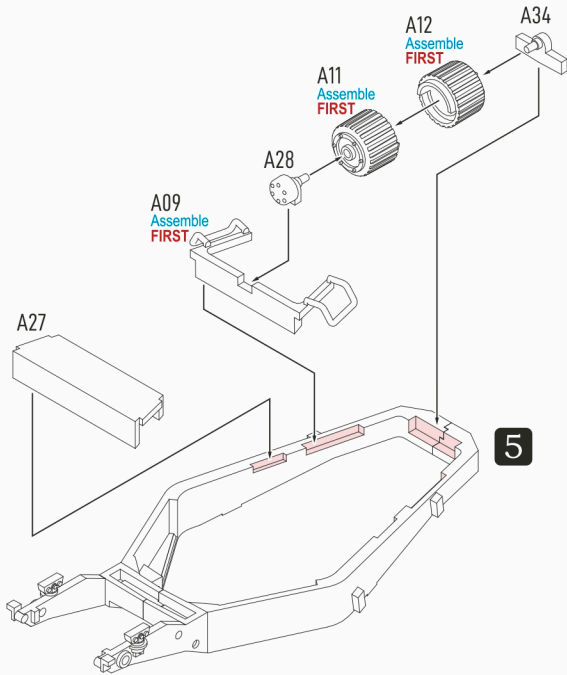
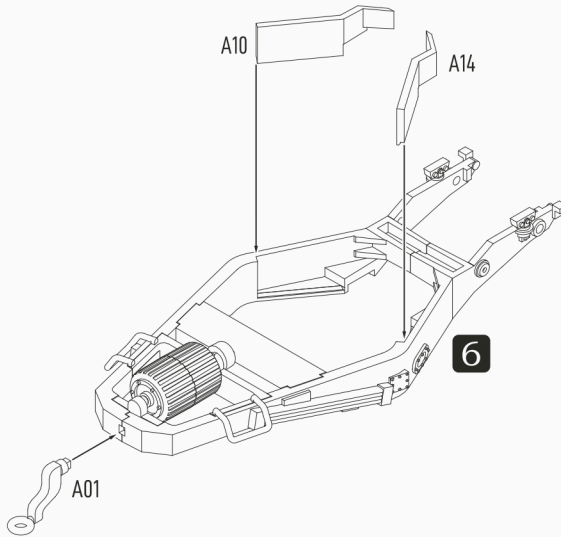
If you enjoyed building the **M102 Light Howitzer** plastic kit, we invite you to explore our extensive catalogue of **Vietnam War** and **Cold War** vehicles. Our range covers everything from heavy tanks and trucks to light utility vehicles. Rubicon Models also has a wide selection of plastic and pewter figures specifically designed to complement our vehicle line. Discover our full offerings on our regional webstores.

Please also visit our official **Facebook** page at <https://www.facebook.com/rubiconmodels>

Follow our **Facebook** page to show your support!

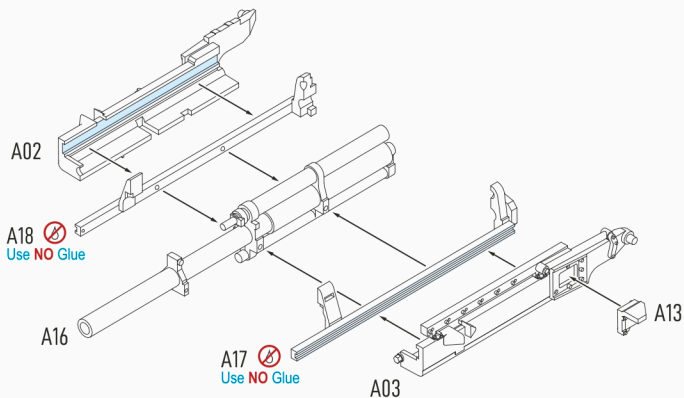


280125  
M151A1C with 106mm  
Recoilless Rifle

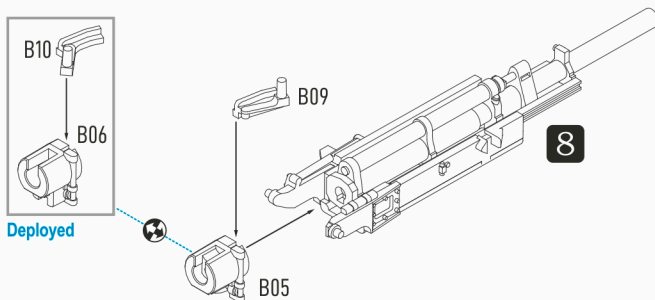
**6****7**

The **M102** is a light, towable 105mm howitzer used by the US in the **Vietnam War**, the **First Gulf War**, and the **Iraq War**. The M102 105mm howitzer is used in air mobile (helicopter), attack plane, and light infantry operations. The weapon carriage is lightweight welded aluminum, mounted on a variable recoil mechanism. The weapon is manually loaded and positioned, and can be towed by a 2-ton truck or High Mobility Multipurpose Wheeled Vehicle (HMMWV), can be transported by helicopters, or can be dropped by parachute with airborne units. When emplaced, the howitzer's high volume of fire compensates in large measure for the lower explosive weight of the projectile compared to the Army's 155mm and 8-inch howitzers. Since 1964, the Army acquired **1,150** M102 towed howitzers. The weapon is being replaced by the M119-series 105mm howitzer.

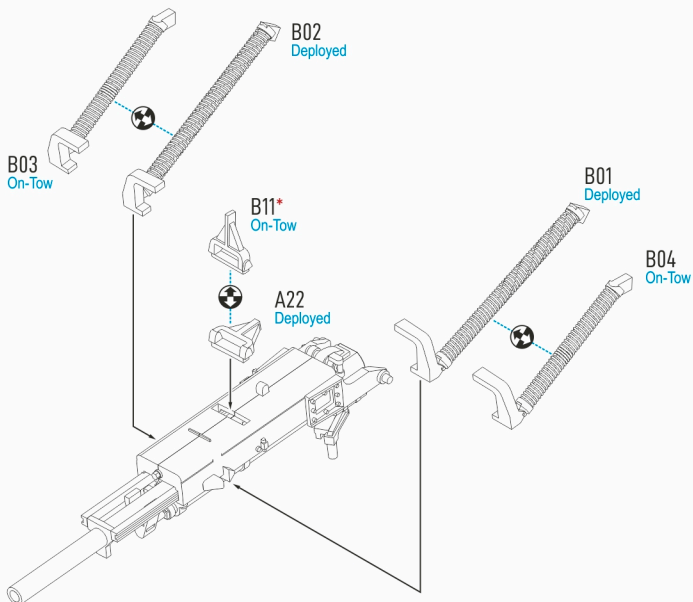
# 8



# 9



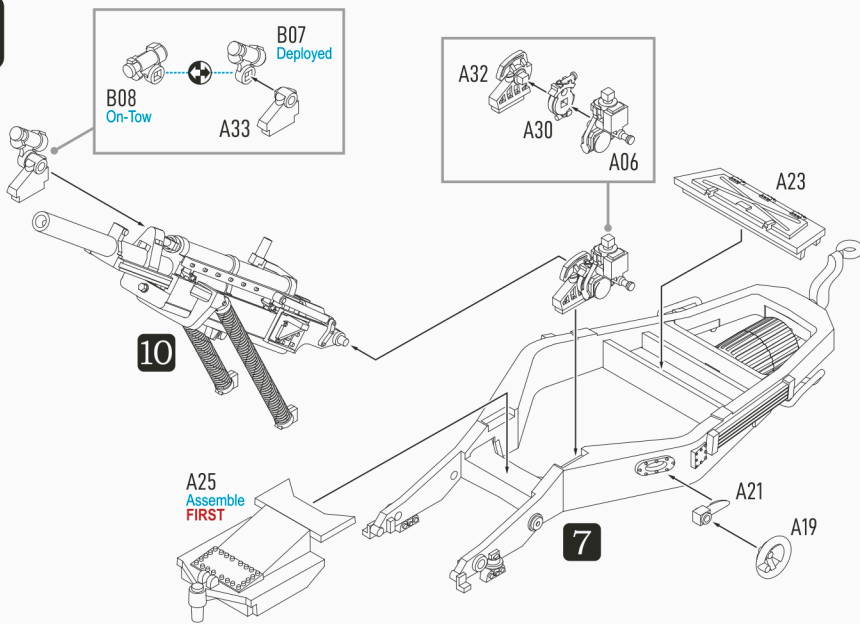
# 10



\* Make sure **B11** is facing correctly during assembly

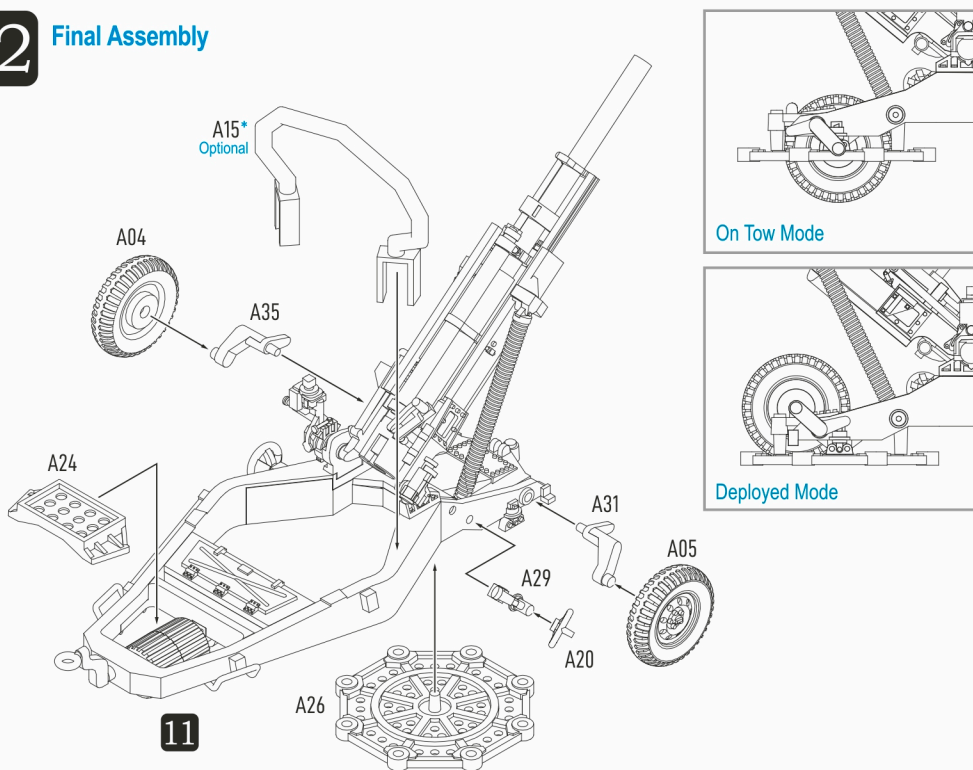


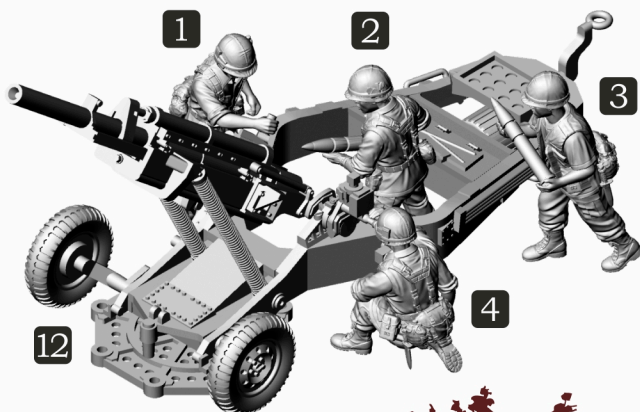
# 11



# 12

## Final Assembly





AN EXPANDING RANGE OF  
HARD PLASTIC MULTI-POSE FIGURES



281001 Viet Cong Fighters with Command

32  
Figure Set



281003 People's Army of Vietnam (NVA) with Command

30  
Figure Set



281002 US Marines with Command

30  
Figure Set



281004 US Army

30  
Figure Set

OFFICIAL WEBSTORES



[www.rubiconmodelsasia.com](http://www.rubiconmodelsasia.com)



[www.rubiconmodels.co.uk](http://www.rubiconmodels.co.uk)



[www.rubiconmodelsusa.com](http://www.rubiconmodelsusa.com)