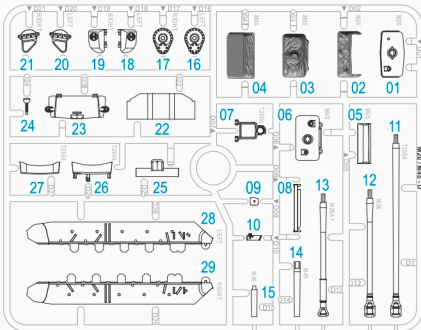
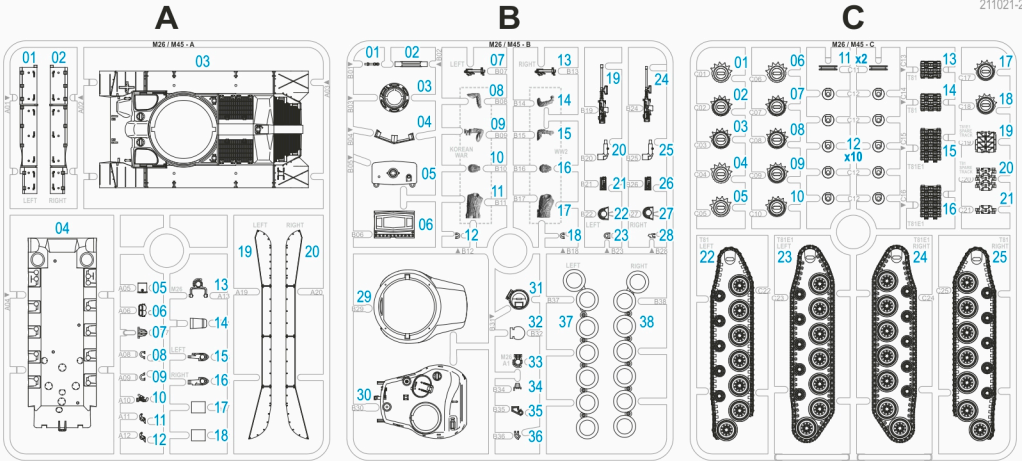




Product Code: **280116**  
211021-2



**CAUTION**

- When you use glue or paint, do not use near a naked flame, and use in a well-ventilated area.
- When assembling this kit, tools including knives are used. Extra care should be taken to avoid personal injury.
- Keep out of reach of small children.

Read carefully and fully understand the instructions before commencing assembly. Model supplied unpainted. Bases, scenery, glue and paint not included. Legend used:

Choices  
  Optional  
  No glue  
  Drill hole  
  Bend  
  Cut or trim with care

Please use **ABS Plastic Cement** for assembly.

© Rubicon Models Ltd 2018, 2021. Rubicon Models, the Rubicon Models Logo are trademarks of Rubicon Models Ltd. All rights reserved.

**WARNING**

■ THIS IS NOT A TOY ■ INTENDED FOR COLLECTORS OF AGE 14 AND ABOVE ■ CONTAINS SMALL PARTS AND POINTED COMPONENTS ■ NOT SUITABLE FOR CHILDREN UNDER 6 YEARS OLD ■ MODEL MAY VARY FROM IMAGE ON BOX ■ READY TO ASSEMBLE PRECISION MODEL KIT

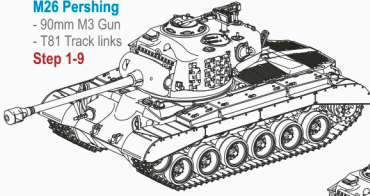
**! READ THIS FIRST BEFORE ASSEMBLY STARTS...**

Please study the instruction thoroughly **before** actual assembly. This kit enables you to build **one of three M26 Pershing** variants or a **M45 (T26E2)**. Follow the steps listed below for your build choice.

It is also good practice to **test fit** all parts and study all build options **before** gluing them together. This will save you time and frustrations!

**M26 Pershing**  
- 90mm M3 Gun  
- T81 Track links

**Step 1-9**



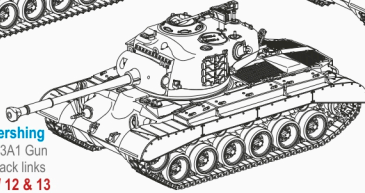
**Super Pershing (T26E4)**

- 90mm T15E2 Gun  
- T81 Track links  
**Step 1-7 / 10 & 11**



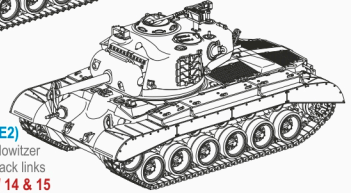
**M26A1 Pershing**

- 90mm M3A1 Gun  
- T80E1 Track links  
**Step 1-7 / 12 & 13**

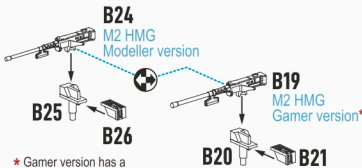


**M45 (T26E2)**

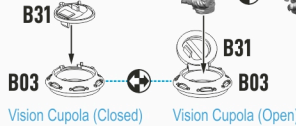
- 105mm Howitzer  
- T80E1 Track links  
**Step 1-7 / 14 & 15**



**1**



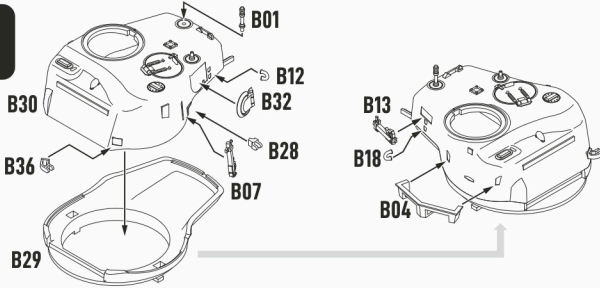
\* Gamer version has a thickened gun barrel



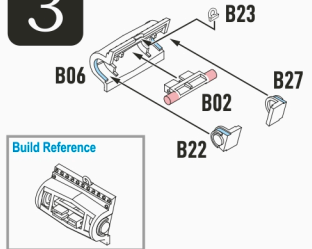
**Tank Commander**



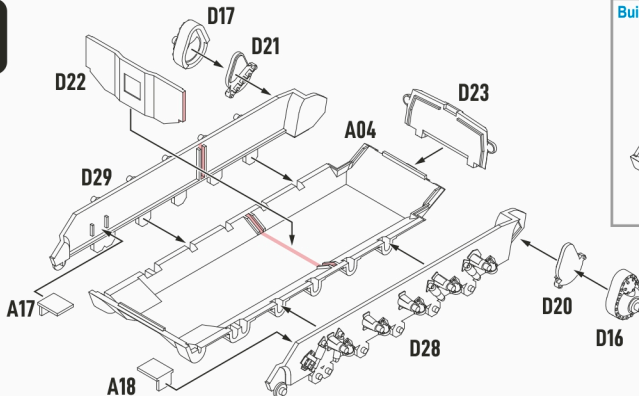
**2**



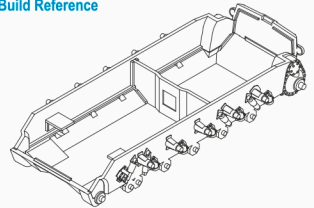
**3**



**4**

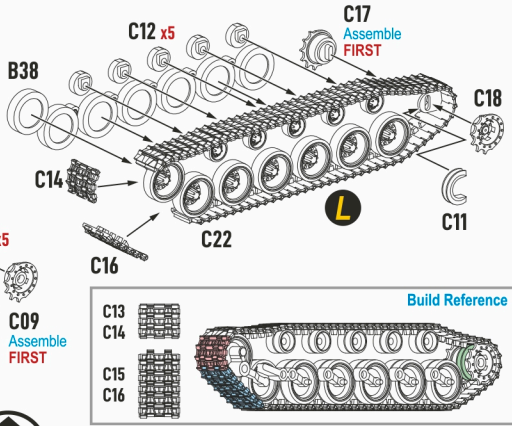
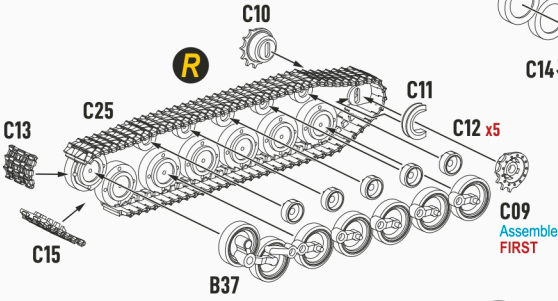


**Build Reference**



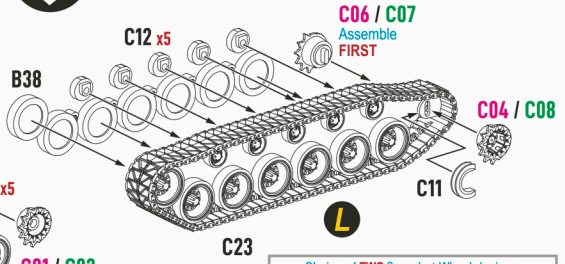
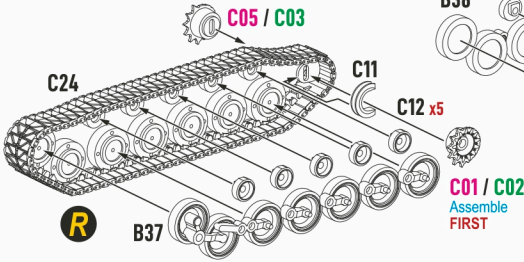
# 5a

## T81 Track Links for M26 & T26E4



# 5b

## T80E1 Track Links for M26A1 & M45 (T26E2)



Choice of **TWO** Sprocket Wheel designs:



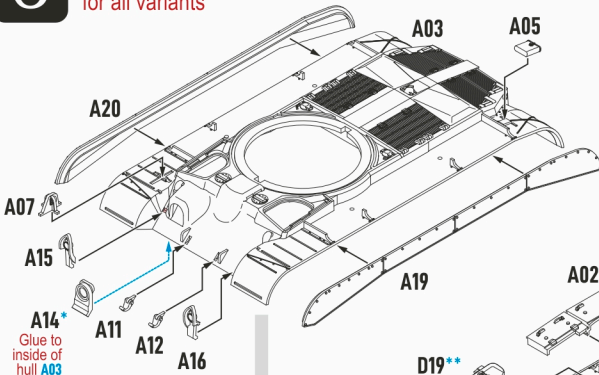
C01 / C05  
C04 / C06



C02 / C03  
C07 / C08

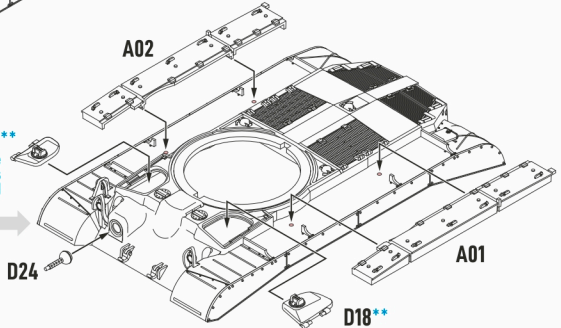
# 6

## Upper Hull Assembly for all variants



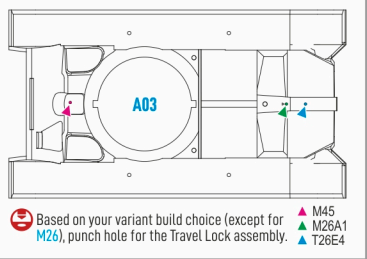
A14\*  
Glue to  
inside of  
hull A03

D19\*\*  
Hatches can be  
assembled as  
open or closed



Based on your variant build choice (except for M26), punch hole for the Travel Lock assembly.

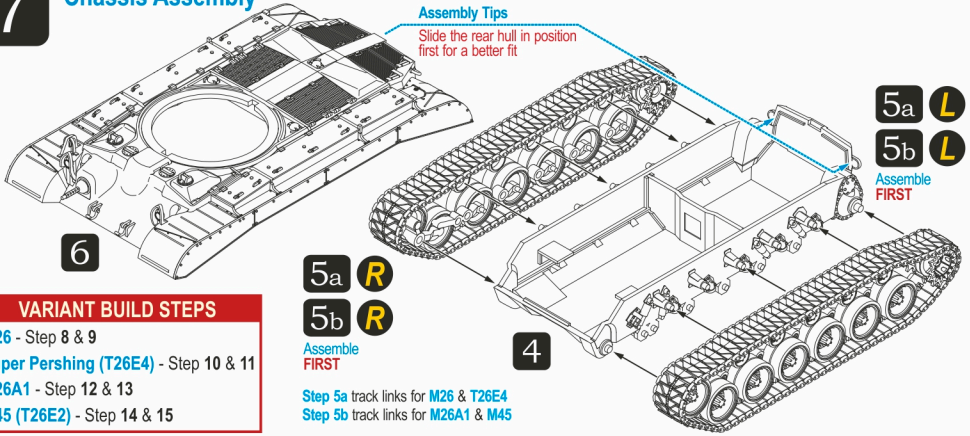
▲ M45  
▲ M26A1  
▲ T26E4



# 7

## Chassis Assembly

**Assembly Tips**  
Slide the rear hull in position first for a better fit



### VARIANT BUILD STEPS

M26 - Step 8 & 9

Super Pershing (T26E4) - Step 10 & 11

M26A1 - Step 12 & 13

M45 (T26E2) - Step 14 & 15

5a **R**

5b **R**

Assemble  
**FIRST**

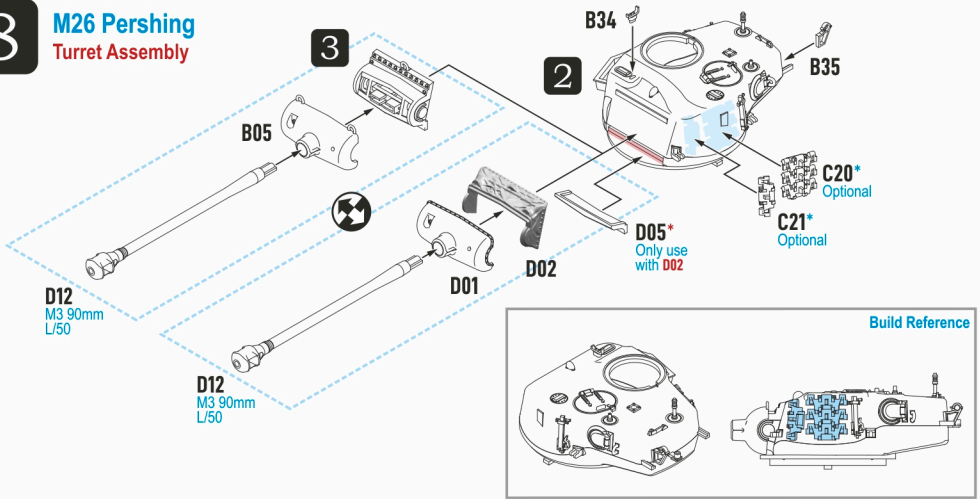
Step 5a track links for M26 & T26E4

Step 5b track links for M26A1 & M45

# 8

## M26 Pershing Turret Assembly

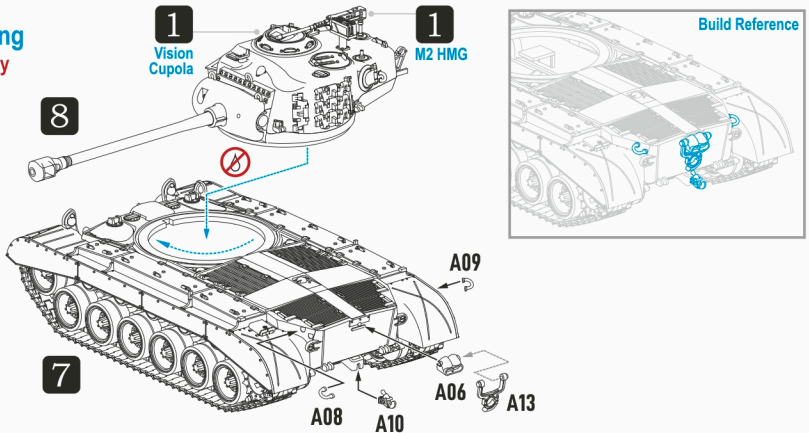
Turret Assembly



# 9

## M26 Pershing Final Assembly

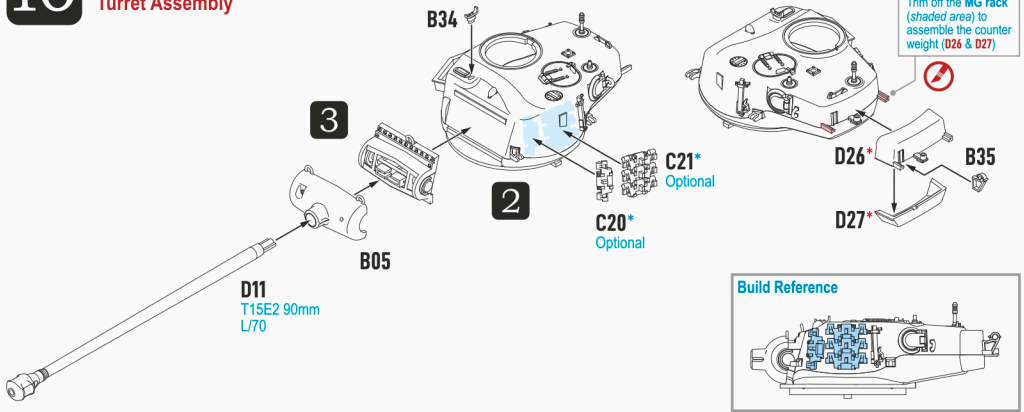
Final Assembly



# 10

## T26E4 "Super Pershing"

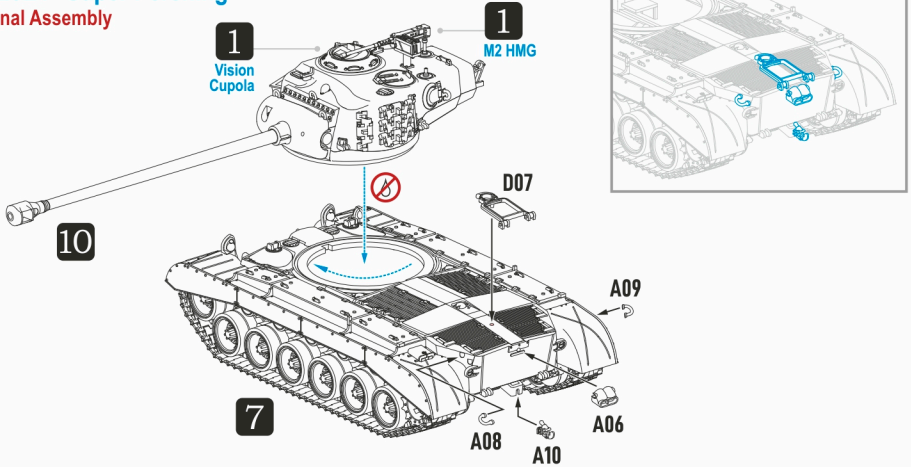
### Turret Assembly



# 11

## T26E4 "Super Pershing"

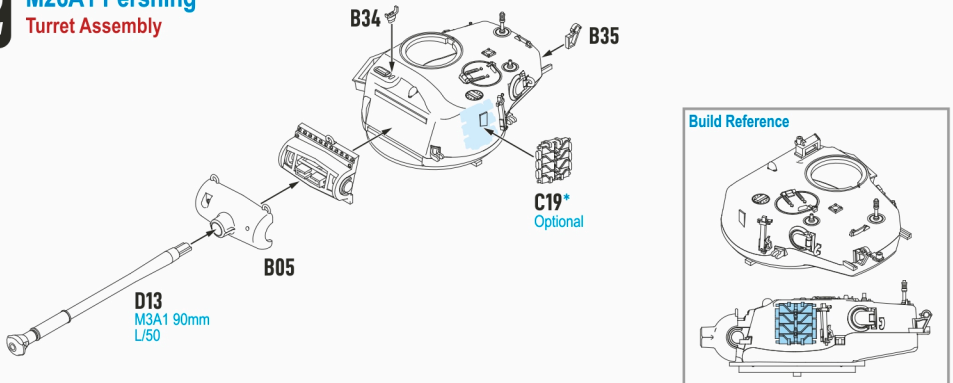
### Final Assembly



# 12

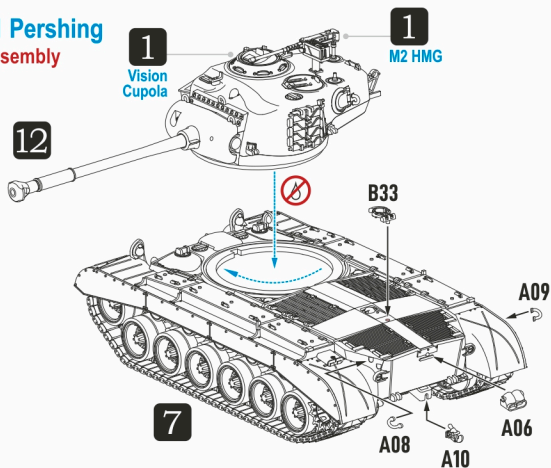
## M26A1 Pershing

### Turret Assembly



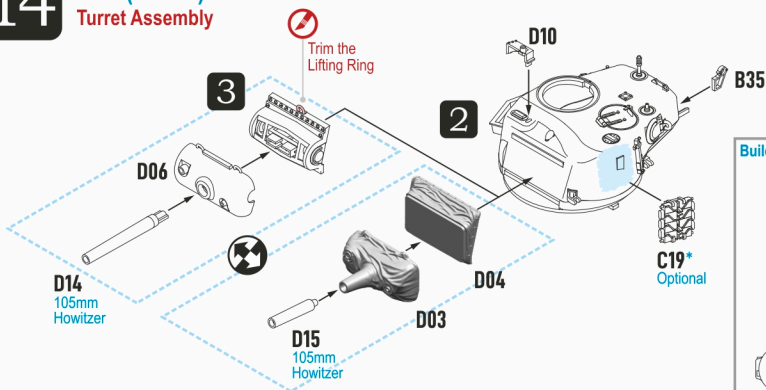
# 13

## M26A1 Pershing Final Assembly



# 14

## M45 (T26E2) Turret Assembly



# 15

## M45 (T26E2) Final Assembly

