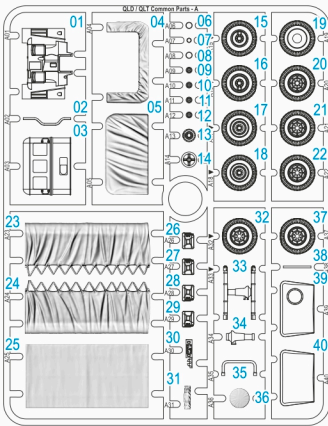


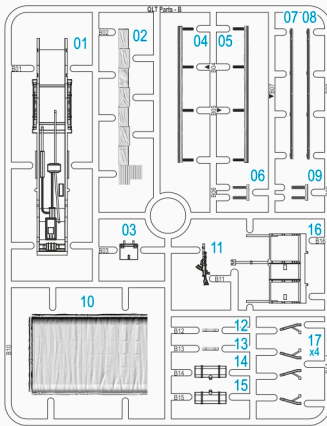


Product Code: 280107

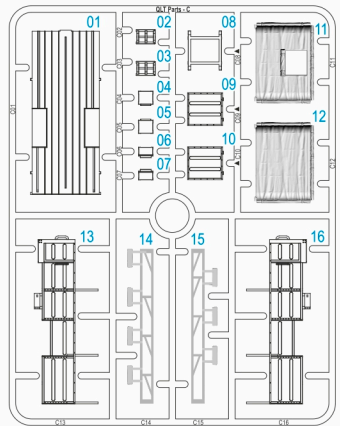
210120-2



A



B



C



- When you use glue or paint, do not use near a naked flame, and use in a well ventilated area.
- When assembling this kit, tools including knives are used. Extra care should be taken to avoid personal injury.
- Keep out of reach of small children.

Read carefully and fully understand the instructions before commencing assembly. Model supplied unpainted. Bases, scenery, glue and paint not included. Meaning of symbols used:



Choices



Optional



No glue



Open hole



Bend



Cut or trim with care

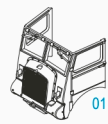
Please use **ABS Plastic Cement** for assembly.

WARNING

- THIS IS NOT A TOY
- INTENDED FOR COLLECTORS OF AGE 14 AND ABOVE
- CONTAINS SMALL PARTS AND POINTED COMPONENTS
- NOT SUITABLE FOR CHILDREN UNDER 6 YEARS OLD
- MODEL MAY VARY FROM IMAGE ON BOX
- READY TO ASSEMBLE PRECISION MODEL KIT

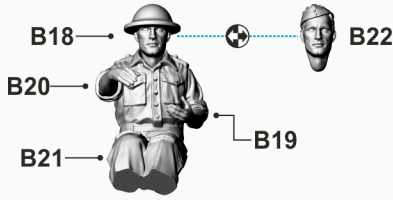


B (Driver)



Q

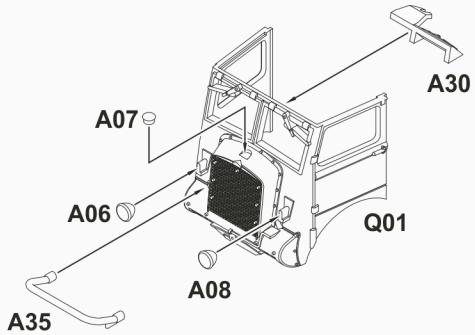
1 Driver



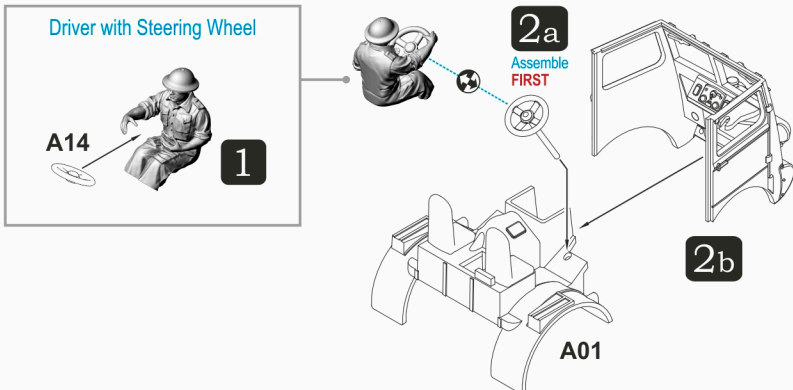
2a Steering Wheel Without Driver



2b Truck Cab Assembly

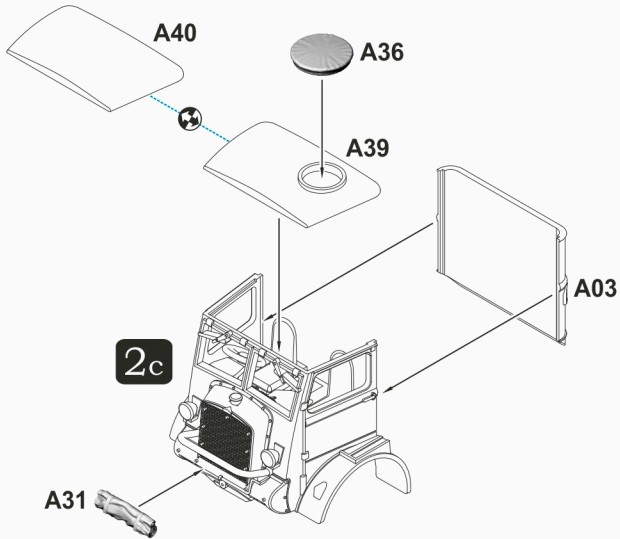


2c Truck Cab Assembly



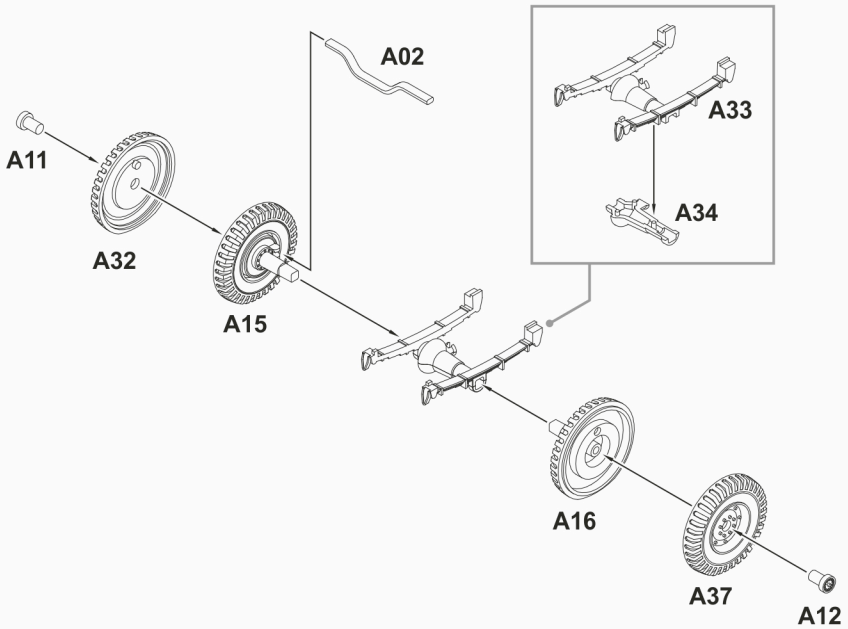
2d

Truck Cab Assembly



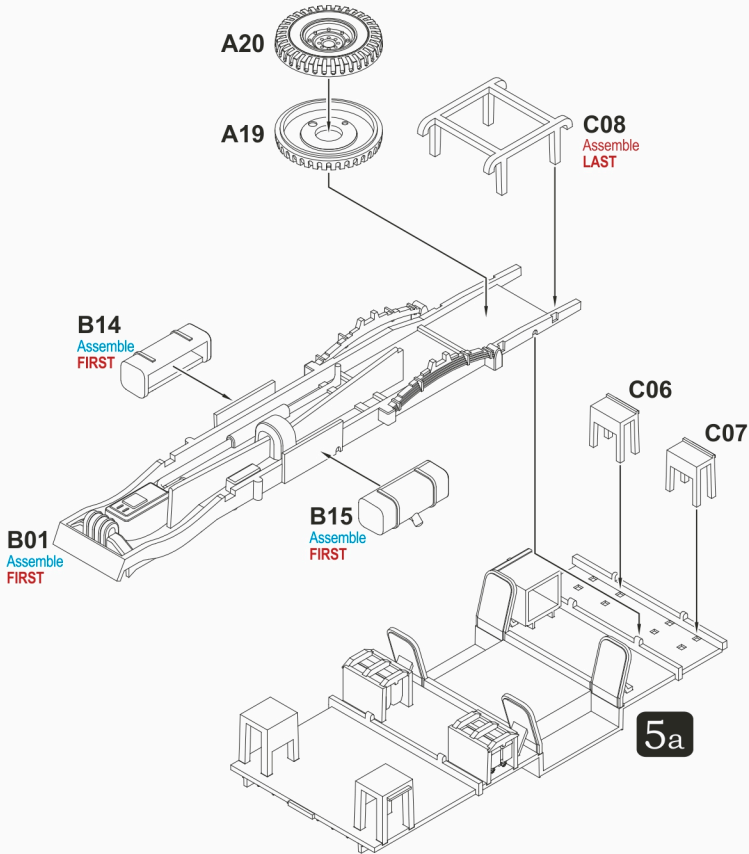
3

Front Wheel & Axle Assembly



5b

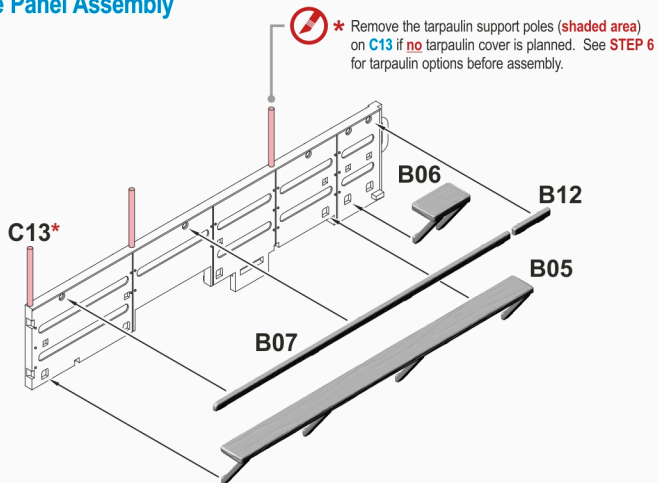
Trunk Frame Assembly



5c

Rear Side Panel Assembly

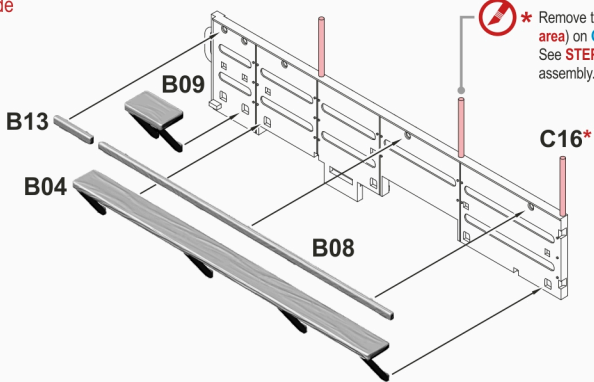
Right Side




5d

Rear Side Panel Assembly

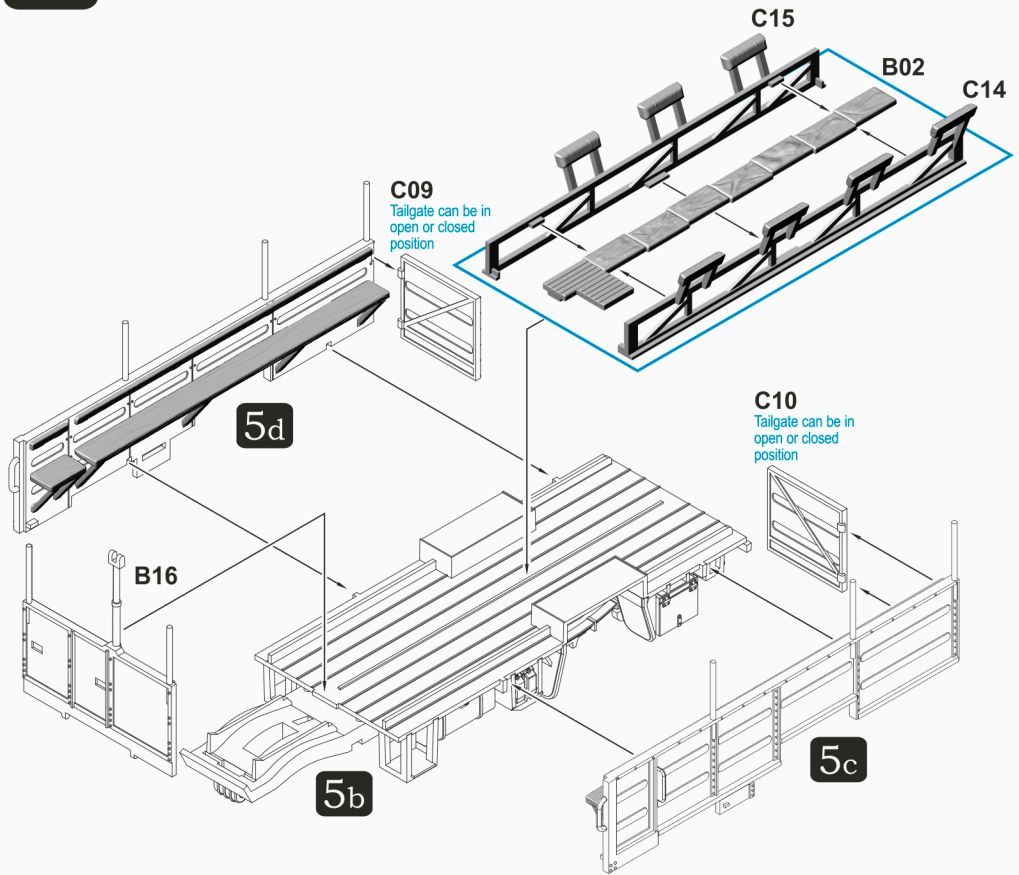
Left Side



 * Remove the tarpaulin support poles (shaded area) on C16 if no tarpaulin cover is planned. See STEP 6 for tarpaulin options before assembly.

5e

Rear Trunk Assembly



C09
Tailgate can be in open or closed position

C10
Tailgate can be in open or closed position

5d

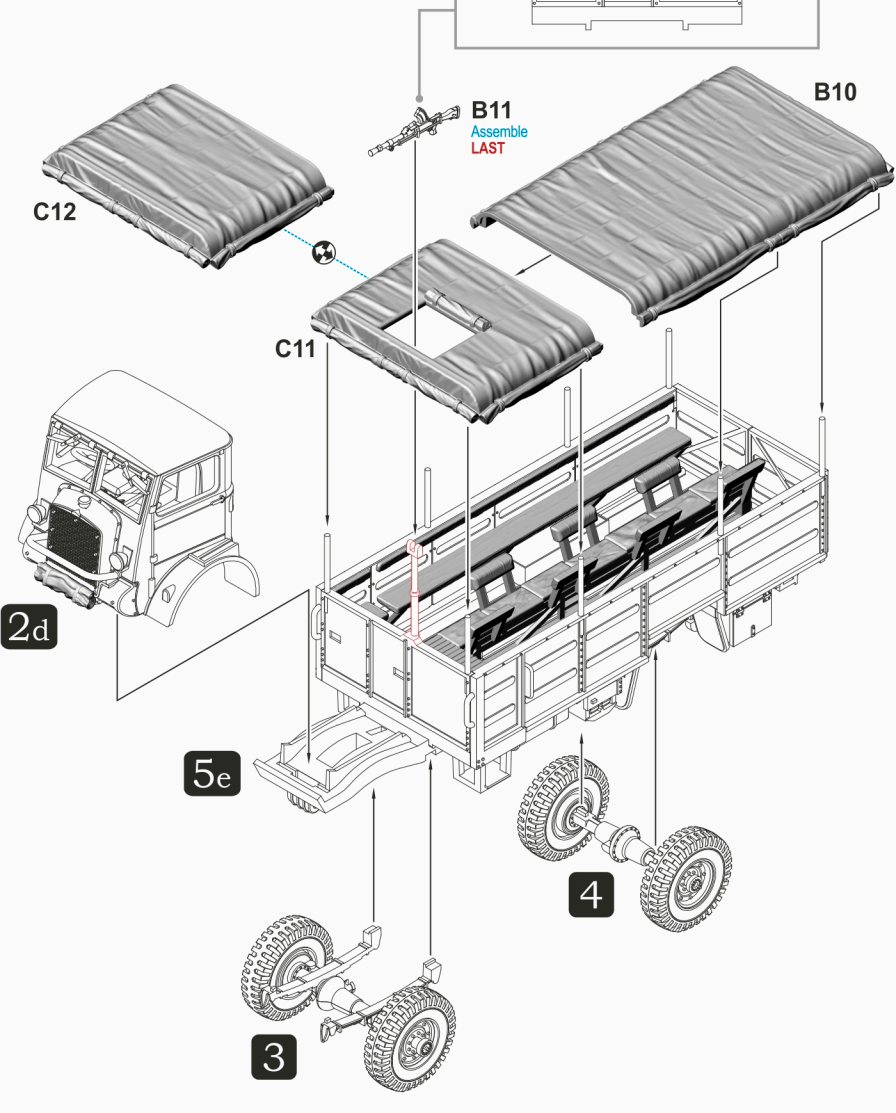
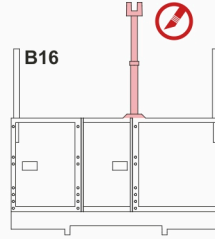
5b

5c

6

Bedford QLT Final Assembly with Tarpaulin Top

Remove the **Gun Mount** (shaded area) on **B16** if **no** machine gun is planned.



Rubicon Models offers a board range of WW2 plastic kits that covers both Axis and Allies. Here are some Allies related kits:

Stowage, British Softskin & Tanks



280089 Commonwealth Stowage Set 1



280033 Allied Stowage Set 1



280025 A15 Crusader Mk I / II / III Variants



280050 Willys MB 1/4 ton 4x4 Utility Truck Commonwealth Version



280056 British CMP 15cwt Truck



280075 Chevrolet 30cwt Truck with Crew



280094 A34 Comet



280097 Valentine II / III / IIICS / IV / V



280098 Valentine IX / X / XI

Commonwealth Vehicles & Tanks



280049 Willys MB 1/4 ton 4x4 Truck US Versions



280083 M3A1 Scout Car Early & Late Production



280027 M3 / M3A1 Half Track



280037 CCKW-353 (GMC)



280035 Studebaker US6 US3 / U4



280028 M8 / M20 Armoured Car



280023 M5A1 Stuart / Recce M6 & Late Production



280024 M8 Scott / M5A1 Stuart Mid Production



280029 M10 / M36 Tank Destroyer US & British Variants



282015 Ford GPA "Seep" Resin & Powder Kit



280060 M4 Sherman / Firefly IC



280061 M4 Composite / Firefly IC Hybrid



280086 M4A1(75) Sherman Direct Vision & Small Hatch



280088 M4A4 Sherman / Firefly VC

M4 Sherman & Variants



280087 M4A1(76)W Sherman Large Hatch



280055 M4A2 Sherman / Sherman III



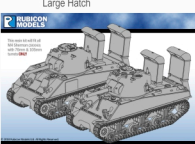
280054 M4A2(76)W Sherman



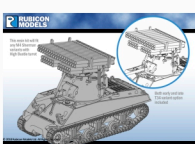
280042 M4A3 / M4A3E8 Sherman



280088 M4A4 Sherman / Firefly VC



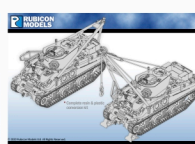
282006/0708 Deep Wading Trunk Set 1 Resin Conversion Kit



282009 T34 Calliope MRL for M4 Resin Conversion Kit



282017 M1A1 Bulldozer Resin Conversion Kit



282023 M32B1 ARV Complete Resin & Powder Kit



282025 M4A3E2 "Jumbo" Resin Conversion Kit

Rubicon Models Regional Webstores



www.rubiconmodelsasia.com



www.rubiconmodels.co.uk



www.rubiconmodelsusa.com