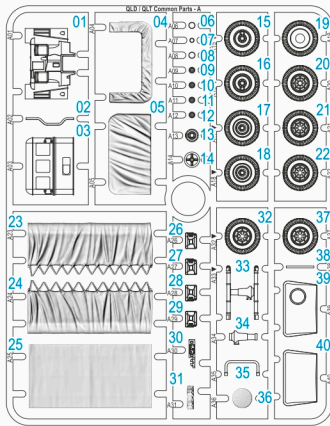
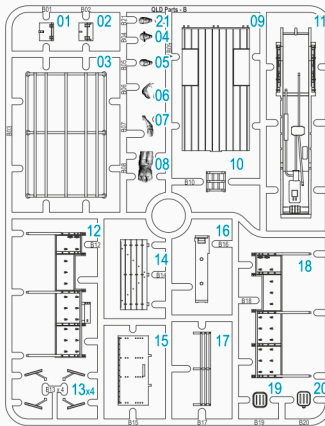




Product Code: 280106  
210118-2



A



B



Q



- When you use glue or paint, do not use near a naked flame, and use in a well-ventilated area.
- When assembling this kit, tools including knives are used. Extra care should be taken to avoid personal injury.
- Keep out of reach of small children.

Read carefully and fully understand the instructions before commencing assembly. Model supplied unpainted. Bases, scenery, glue and paint not included. Legend used:



Choices



Optional



No glue



Drill hole



Bend



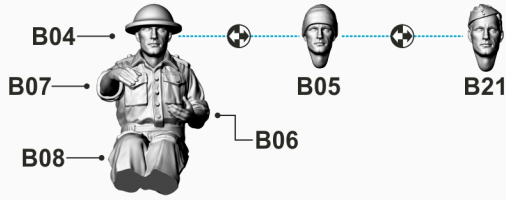
Cut or trim with care

 Please use **ABS Plastic Cement** for our plastic kits.

### WARNING

- THIS IS NOT A TOY
- INTENDED FOR COLLECTORS OF AGE 14 AND ABOVE
- CONTAINS SMALL PARTS AND POINTED COMPONENTS
- NOT SUITABLE FOR CHILDREN UNDER 6 YEARS OLD
- MODEL MAY VARY FROM IMAGE ON BOX
- READY TO ASSEMBLE PRECISION MODEL KIT

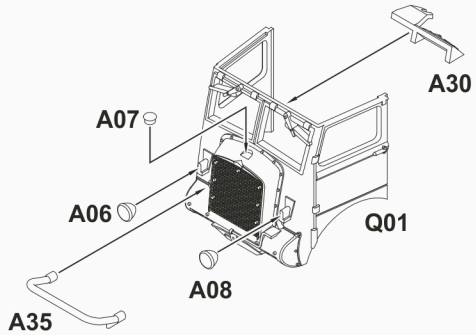
# 1 Driver



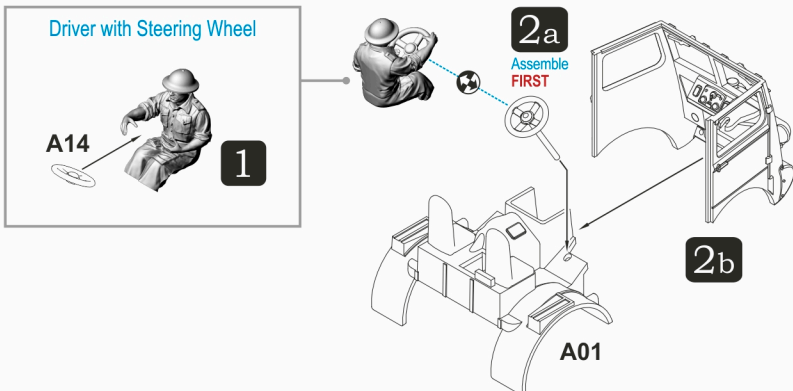
## 2a Steering Wheel Without Driver



## 2b Truck Cab Assembly

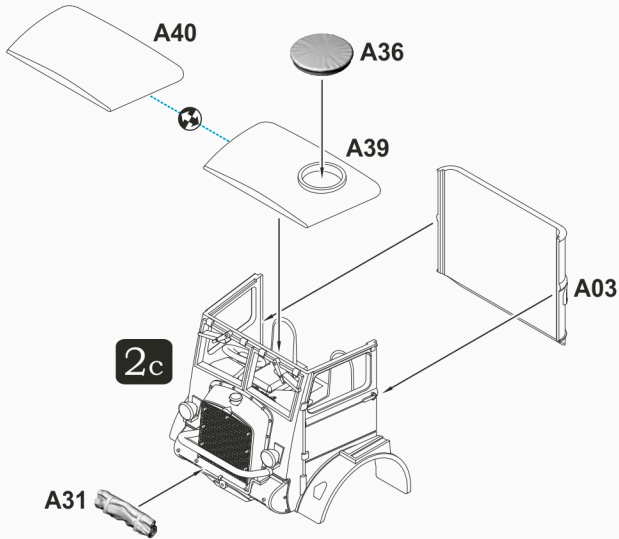


## 2c Truck Cab Assembly



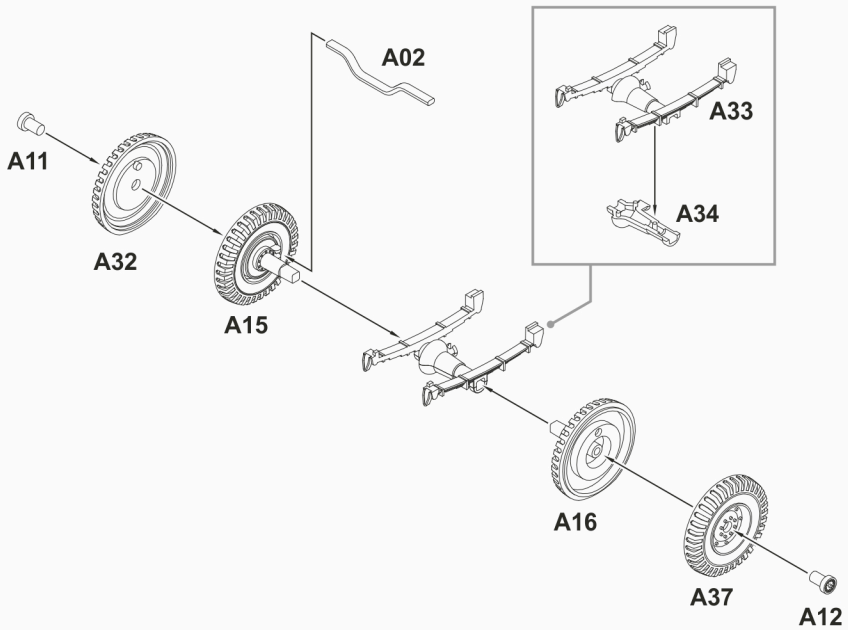
# 2d

## Truck Cab Assembly



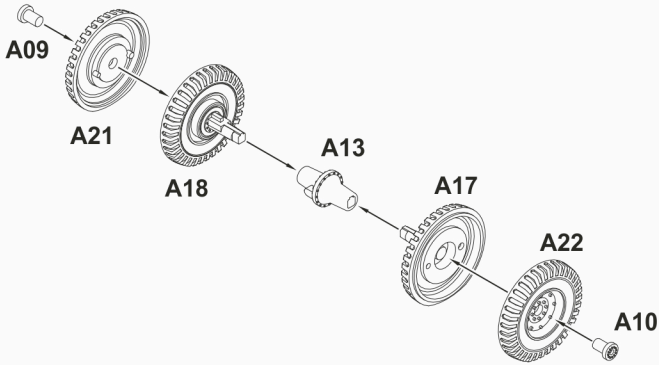
# 3

## Front Wheel & Axle Assembly



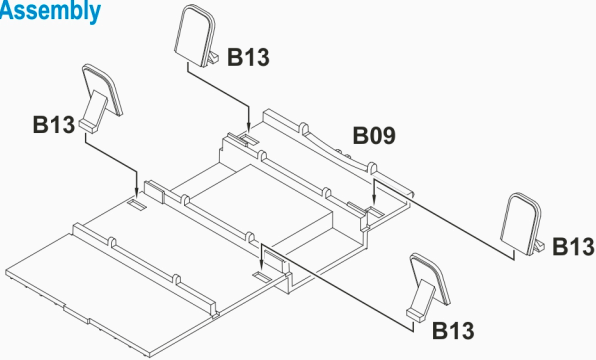
# 4

## Rear Wheel & Axle Assembly



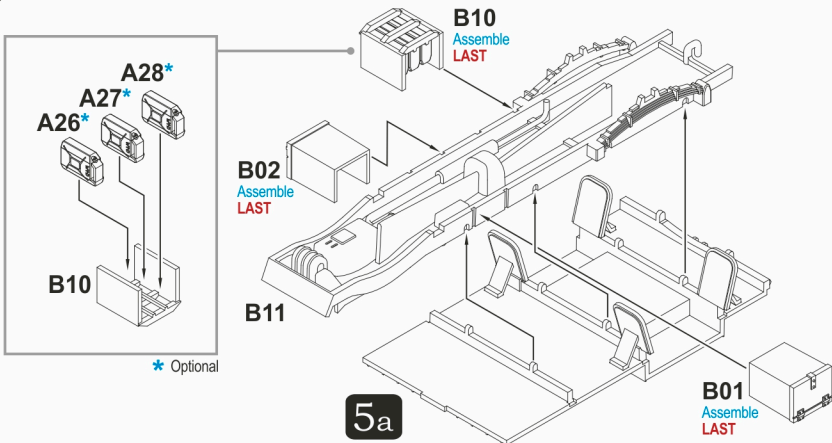
# 5a

## Mud Guard Assembly



# 5b

## Truck Frame Assembly



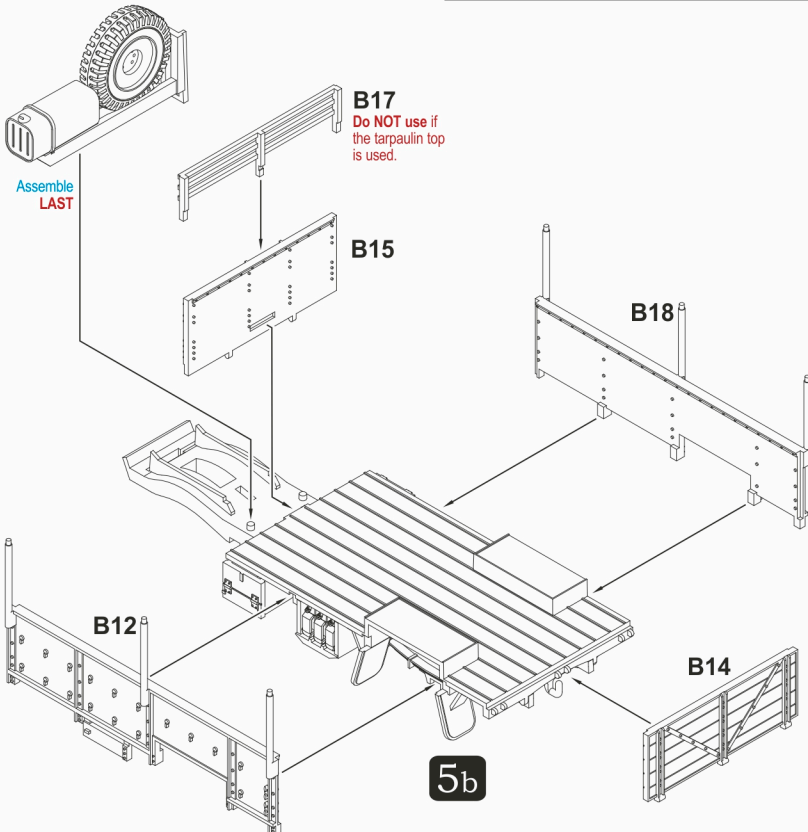
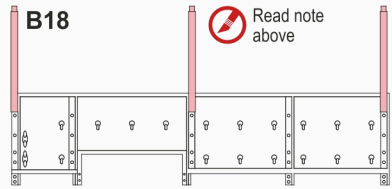
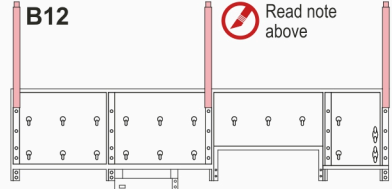
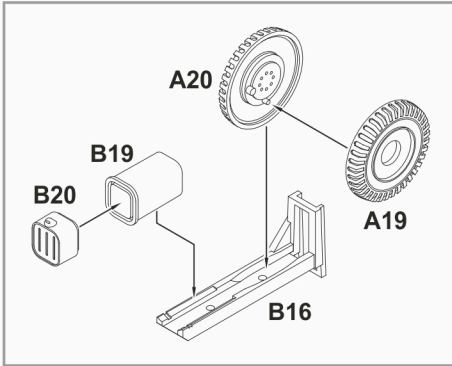
# 5c

## Rear Trunk Assembly



Please read this first **BEFORE** assembly!

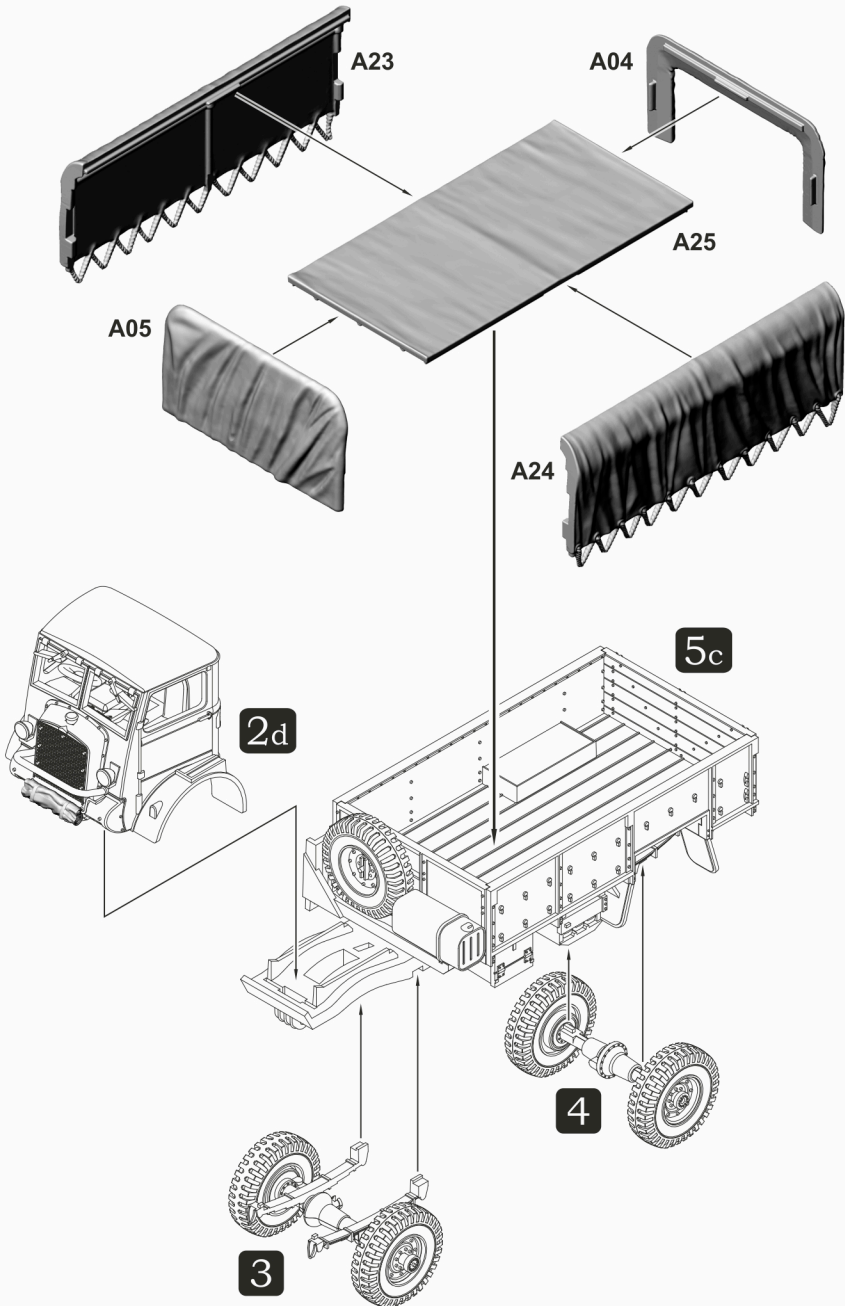
Remove the shaded area (in pink) on **B12** and **B18** if a tarpaulin top is to be installed.



# 6

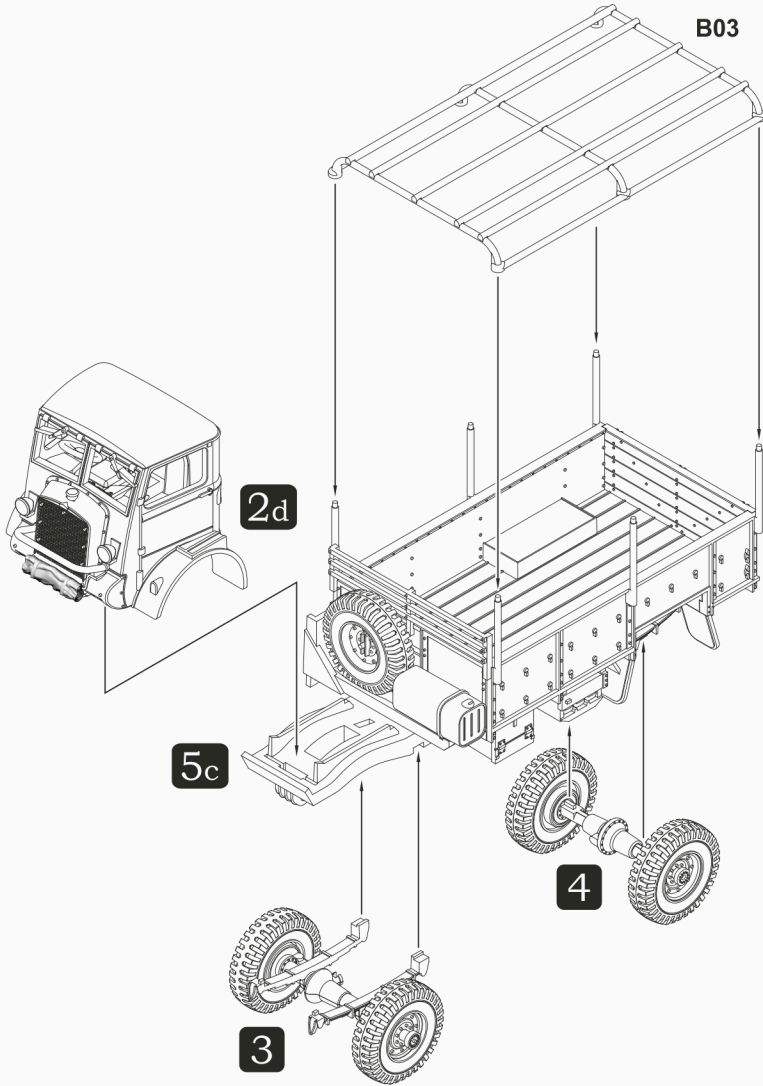
## Bedford QLD Final Assembly with Tarpaulin Top

Go to **STEP 7** if **no** tarpaulin top is to be installed



# 7

## Bedford QLD Final Assembly without Tarpaulin Top



If you like this **Bedford QLD 3-ton 4x4 Truck**, you might also want to take a look at our other plastic kits at [www.rubiconmodels.com](http://www.rubiconmodels.com). Rubicon Models has a full range of WW2-related plastic kits for your selection. Please visit our **regional webstores** for more product listings.



280107  
Bedford QLT 3-ton  
4x4 Truck, Troop Carrier

Rubicon Models offers a board range of WW2 plastic kits that covers both Axis and Allies. Here are some Allies related kits:

Stowage, British Softskin & Tanks



280089 Commonwealth Stowage Set 1



280033 Allied Stowage Set 1



280025 A15 Crusader Mk I / II / III Variants



280050 Willys MB 1/4 ton 4x4 Utility Truck Commonwealth Version



280056 British CMP 15cwt Truck



280075 Chevrolet 30cwt Truck with Crew



280094 A34 Comet



280097 Valentine II / III / IIICS / IV / V



280098 Valentine IX / X / XI

Commonwealth Vehicles & Tanks



280049 Willys MB 1/4 ton 4x4 Truck US Versions



280083 M3A1 Scout Car Early & Late Production



280027 M3 / M3A1 Half Track



280037 CCKW-353 (GMC)



280035 Studebaker US6 US3 / U4



280028 M8 / M20 Armoured Car



280023 M5A1 Stuart / Recce M6 & Late Production



280024 M8 Scott / M5A1 Stuart Mid Production



280029 M10 / M36 Tank Destroyer US & British Variants



282015 Ford GPA "Seep" Resin & Powder Kit



280060 M4 Sherman / Firefly IC



280061 M4 Composite / Firefly IC Hybrid



280086 M4A1(75) Sherman Direct Vision & Small Hatch



280088 M4A4 Sherman / Firefly VC

M4 Sherman & Variants



280087 M4A1(76)W Sherman Large Hatch



280055 M4A2 Sherman / Sherman III



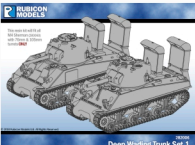
280054 M4A2(76)W Sherman



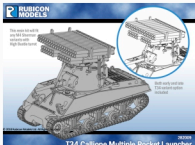
280042 M4A3 / M4A3E8 Sherman



280088 M4A4 Sherman / Firefly VC



282006/0708 Deep Wading Trunk Set 1 Resin Conversion Kit



282009 T34 Calliope MRL for M4 Resin Conversion Kit



282017 M1A1 Bulldozer Resin Conversion Kit



282023 M32B1 ARV Complete Resin & Powder Kit



282025 M4A3E2 "Jumbo" Resin Conversion Kit

Rubicon Models Regional Webstores



www.rubiconmodelsasia.com



www.rubiconmodels.co.uk



www.rubiconmodelsusa.com