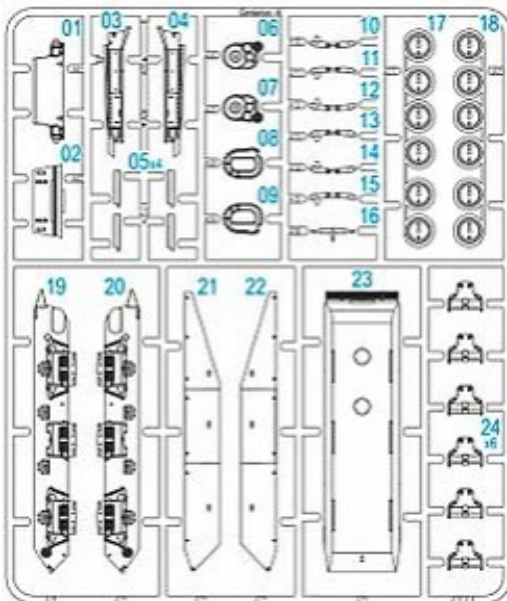


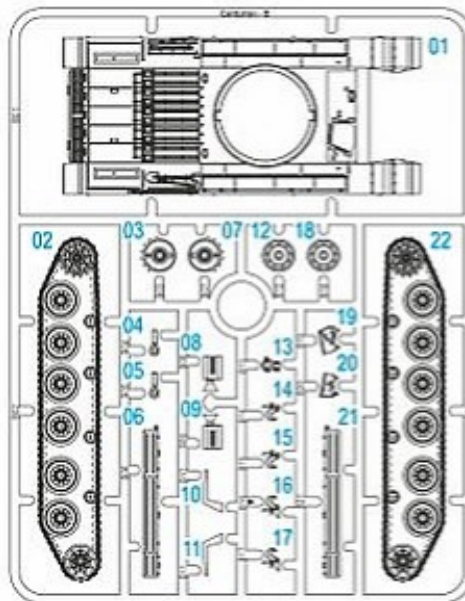


Product Code: 280104

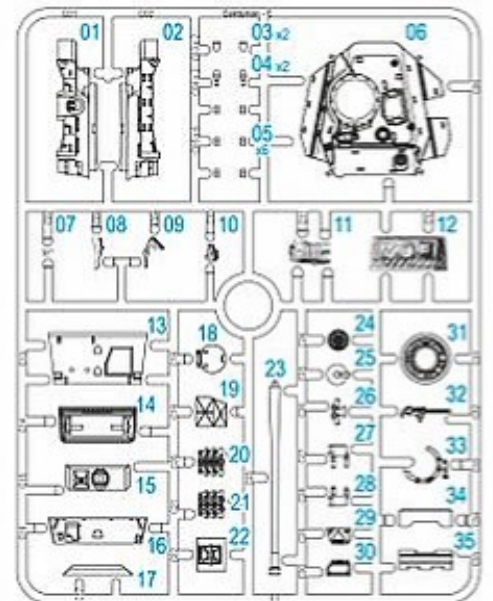
210114-1



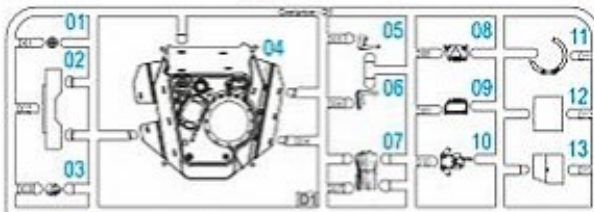
A



B



C



D



**CAUTION**

- When you use glue or paint, do not use near a naked flame, and use in a well-ventilated area.
- When assembling this kit, tools including knives are used. Extra care should be taken to avoid personal injury.
- Keep out of reach of small children.

Read carefully and fully understand the instructions before commencing assembly. Model supplied unpainted. Bases, scenery, glue and paint not included. Meaning of symbols used:



Choices



Optional



No glue



Drill hole



Bend



Cut or trim with care

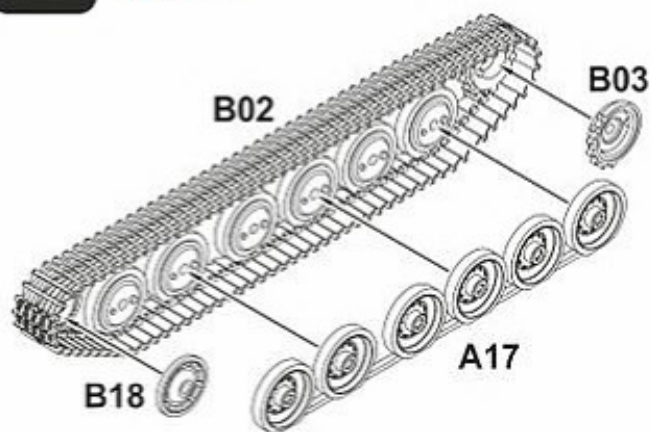
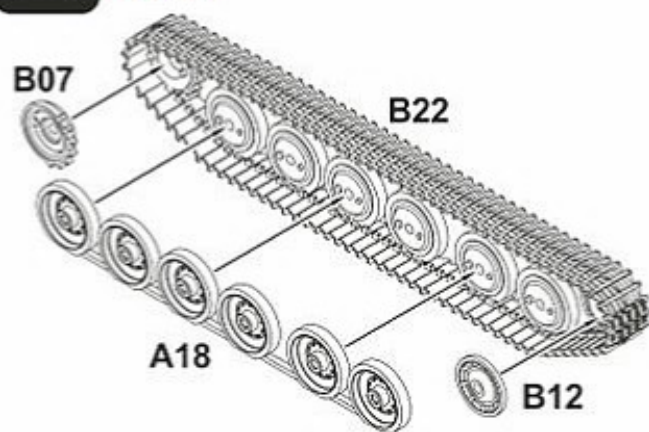
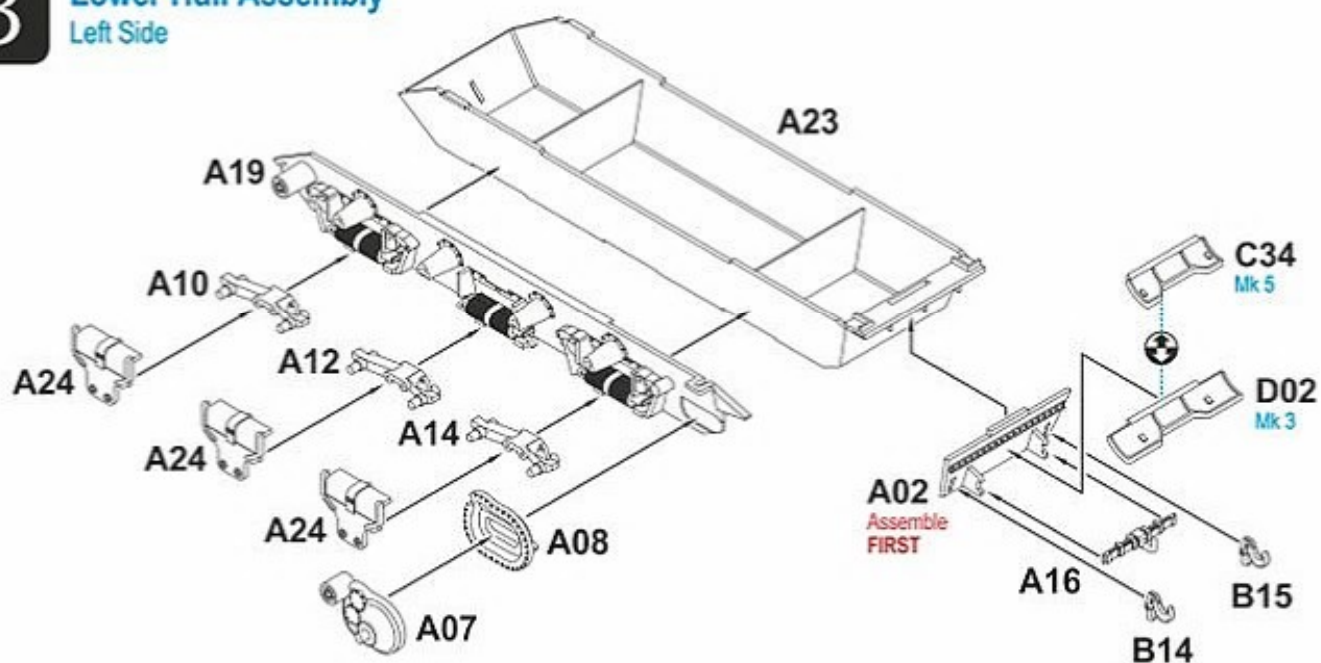
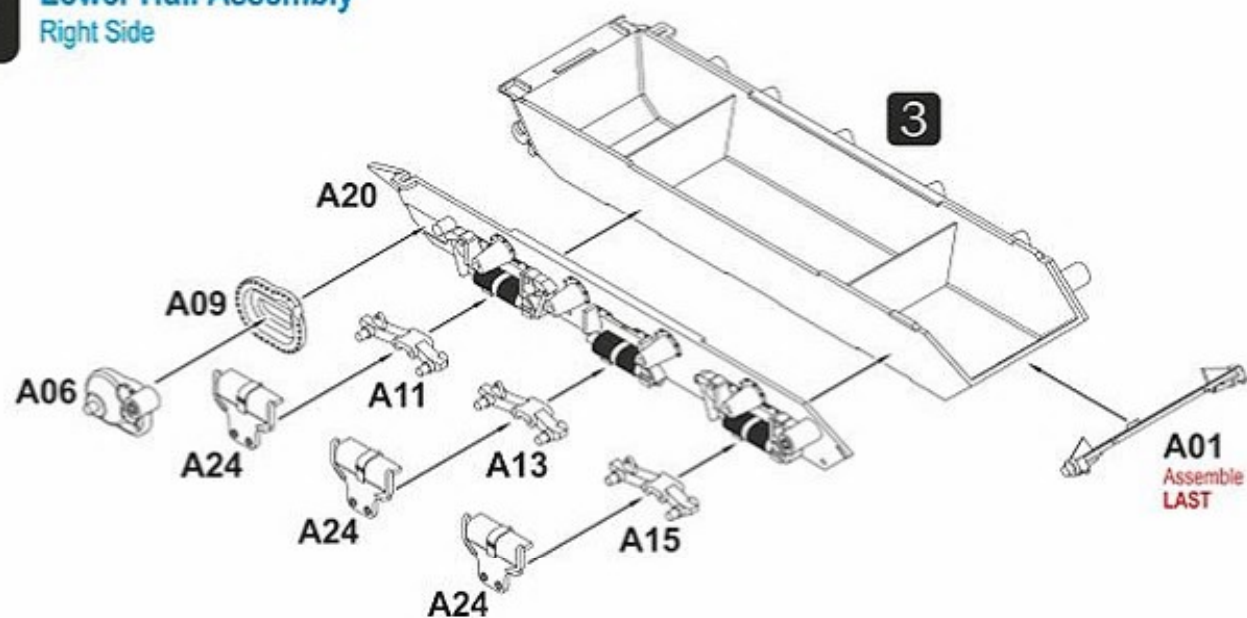
Please use **ABS Plastic Cement** for our products.

©Rubicon Models Ltd 2021. Rubicon Models, the Rubicon Models Logo are trademarks of Rubicon Models Ltd. All rights reserved.

**WARNING:**

Contains small parts which may be hazardous to children under 14 years of age.

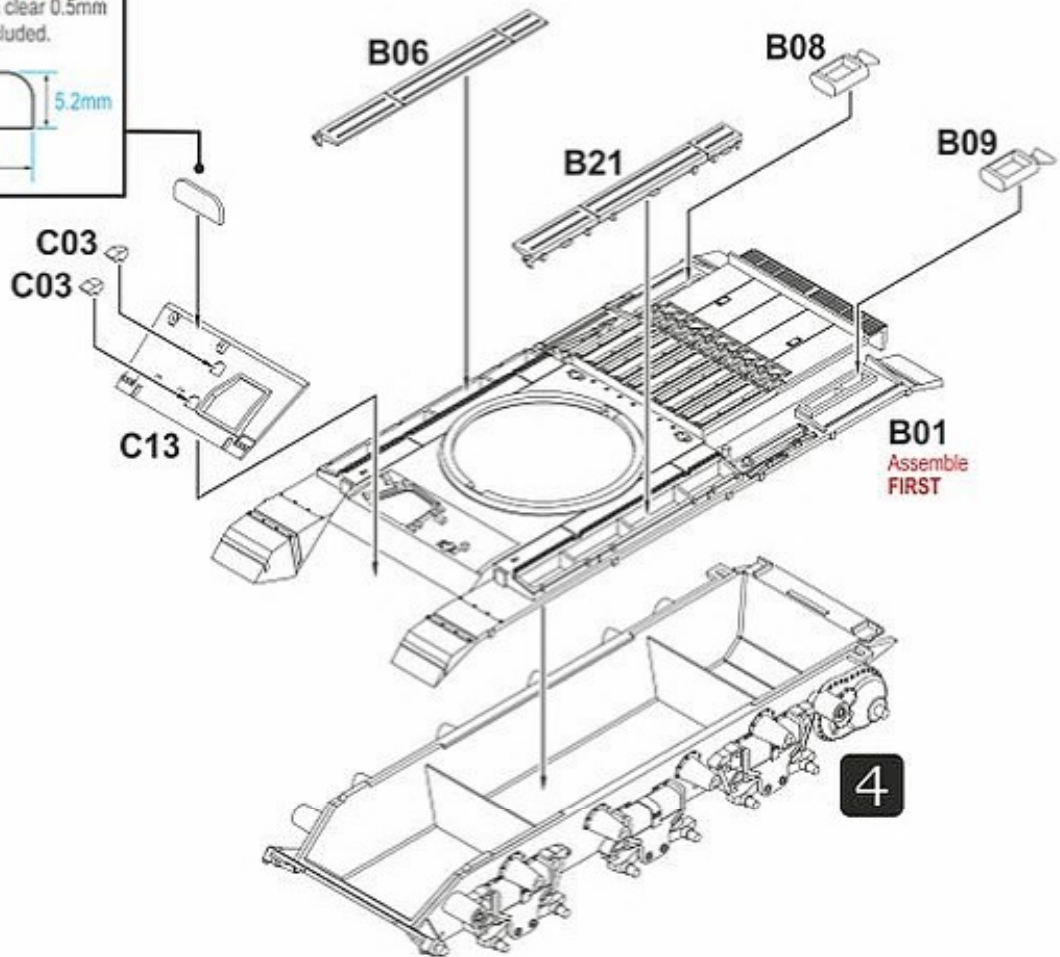
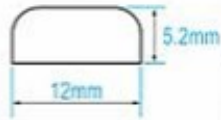
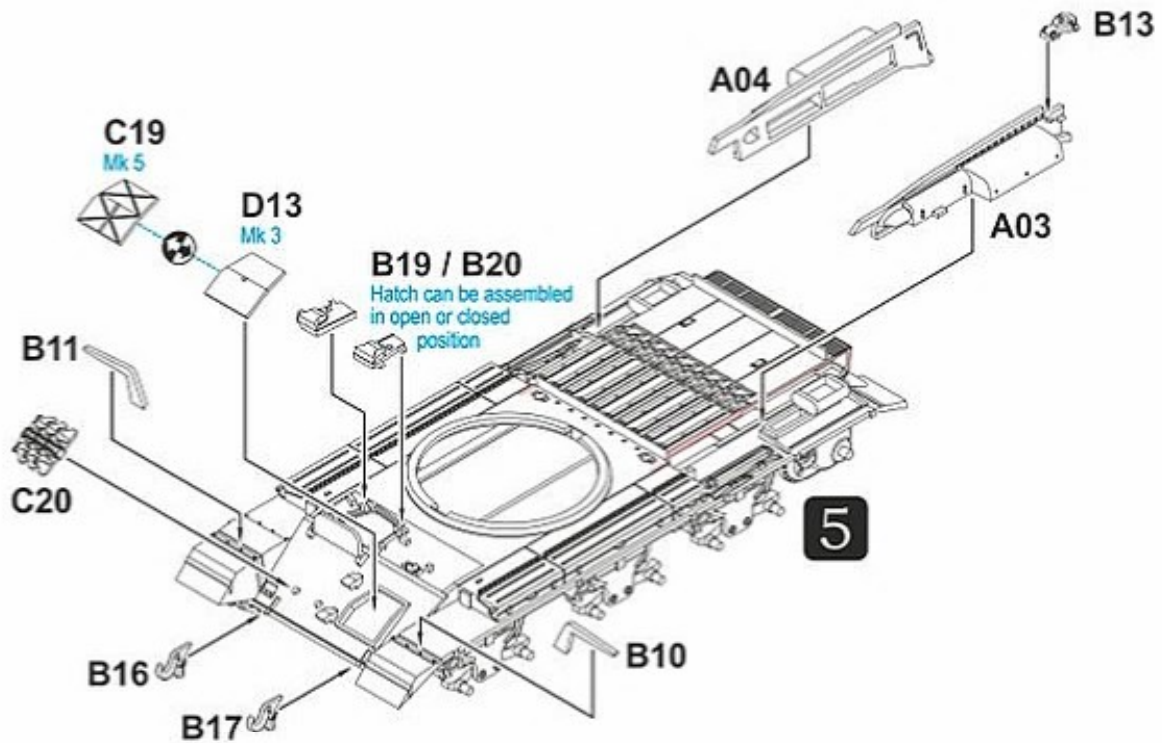


**1****Track & Road Wheel Assembly**  
Right Side**2****Track & Road Wheel Assembly**  
Left Side**3****Lower Hull Assembly**  
Left Side**4****Lower Hull Assembly**  
Right Side



**5****Upper Hull Assembly****Windshield Template**

Cut to shape using a clear 0.5mm acrylic sheet. Not included.

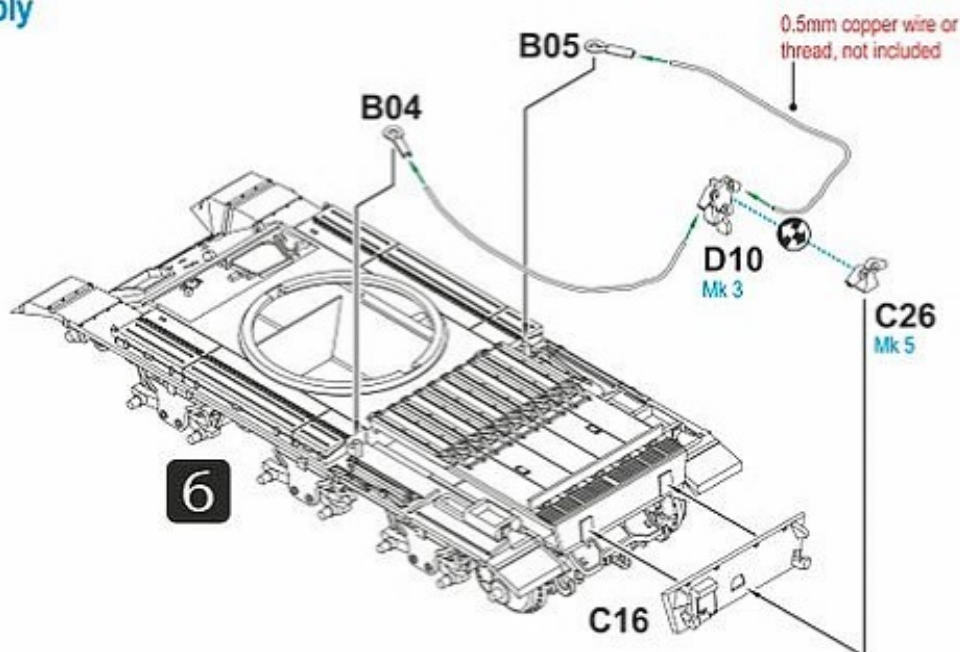
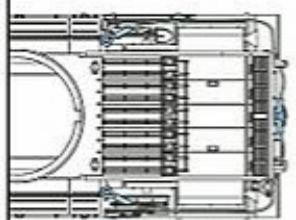
**B01**  
Assemble  
FIRST**4****6****Chassis Assembly****5**

7

## Upper Hull Assembly

continues...

Top View of Tow Cables



8

## British Commander

World War II



9

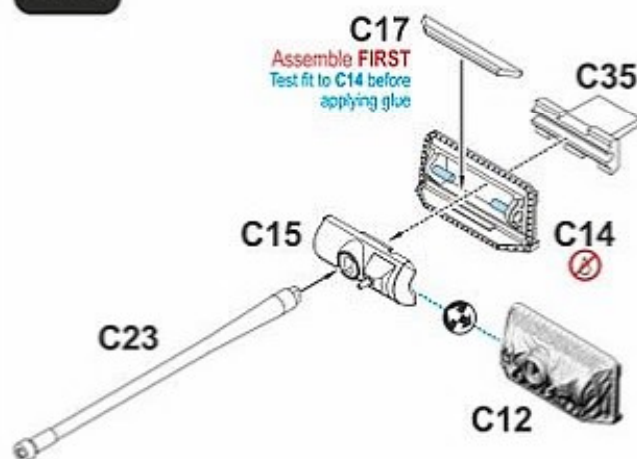
## RAAC Commander

Royal Australian Armoured Corps



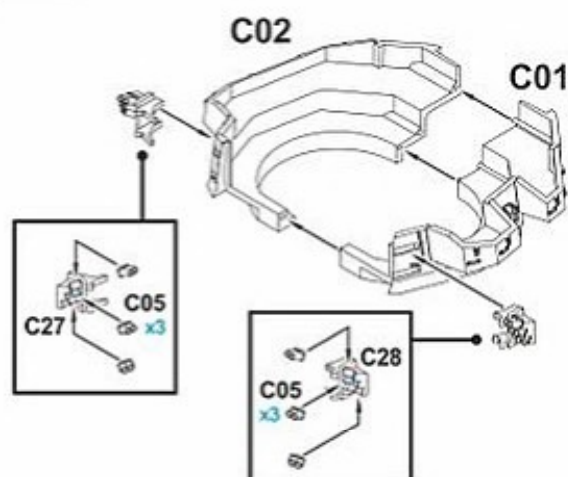
10

## Gun Barrel Assembly



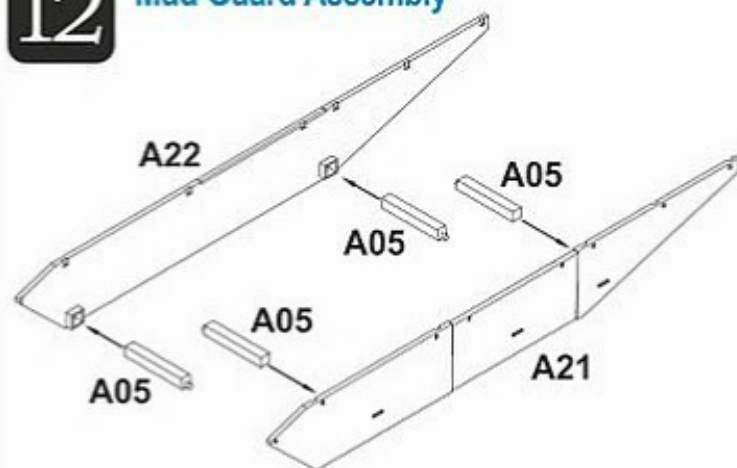
11

## Turret Assembly



12

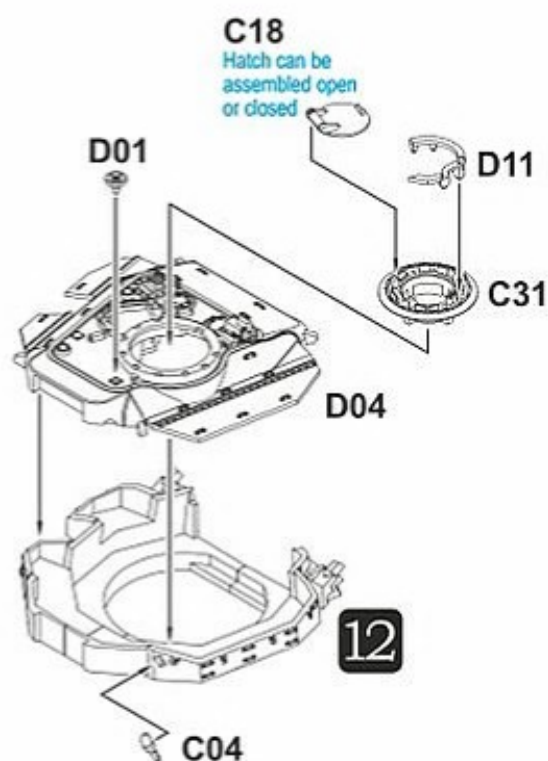
## Mud Guard Assembly



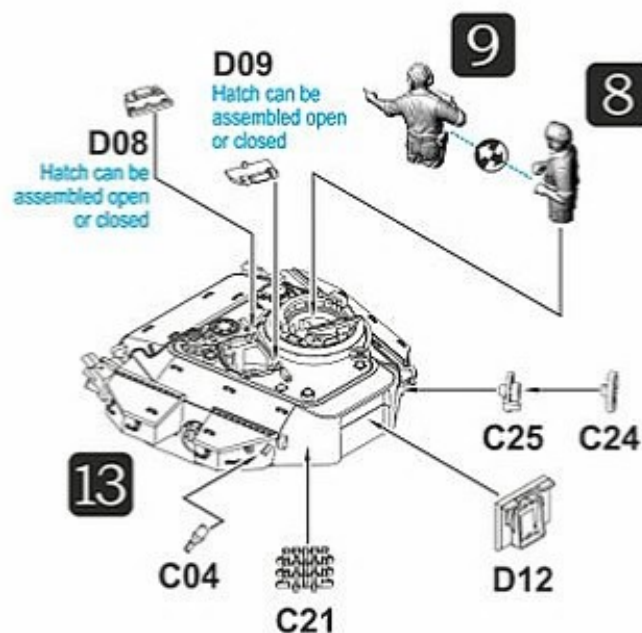
Proceed to STEP 13 for Mk 3  
and STEP 17 for Mk 5



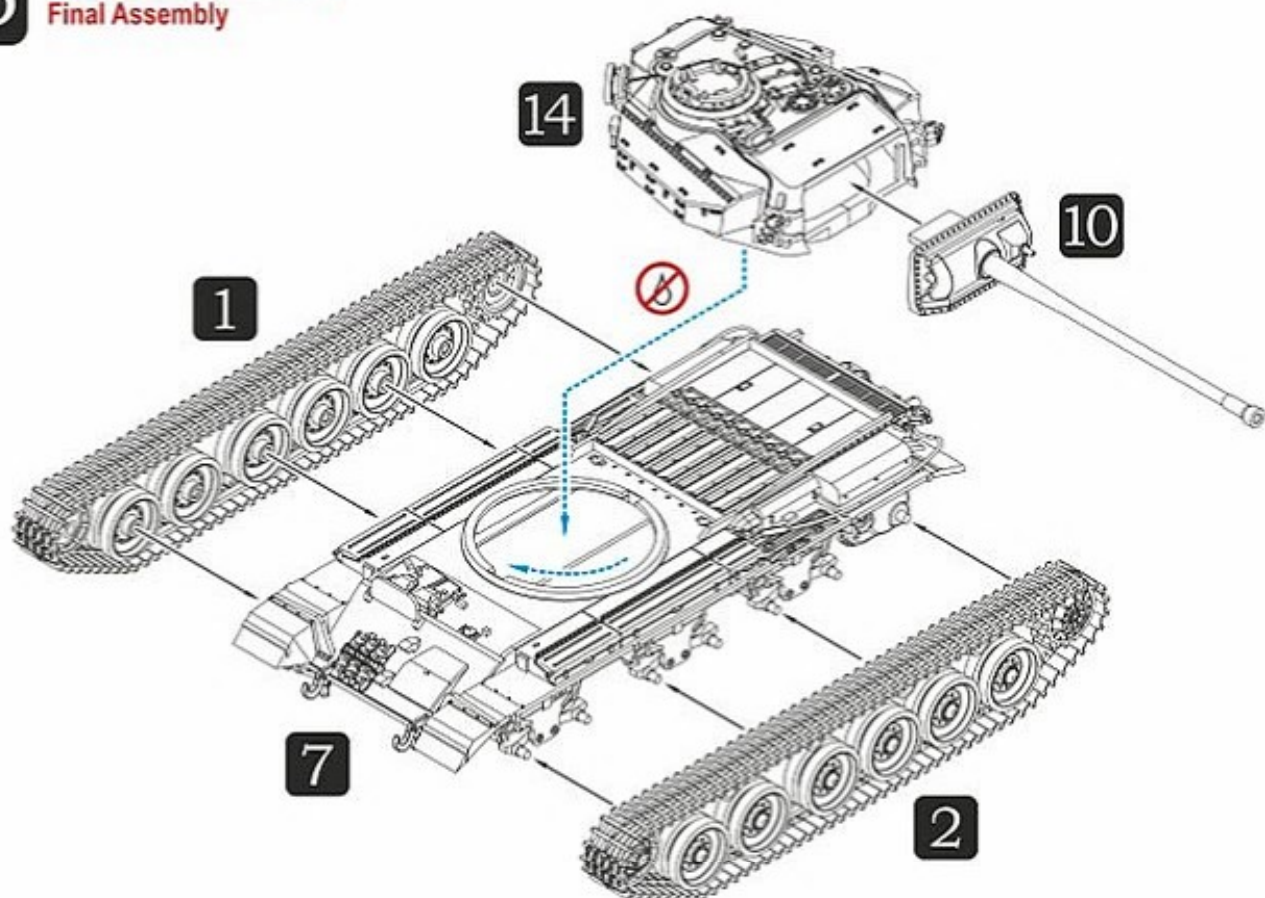
# 13 Turret Assembly for Mk 3



# 14 Turret Assembly for Mk 3 (continues...)



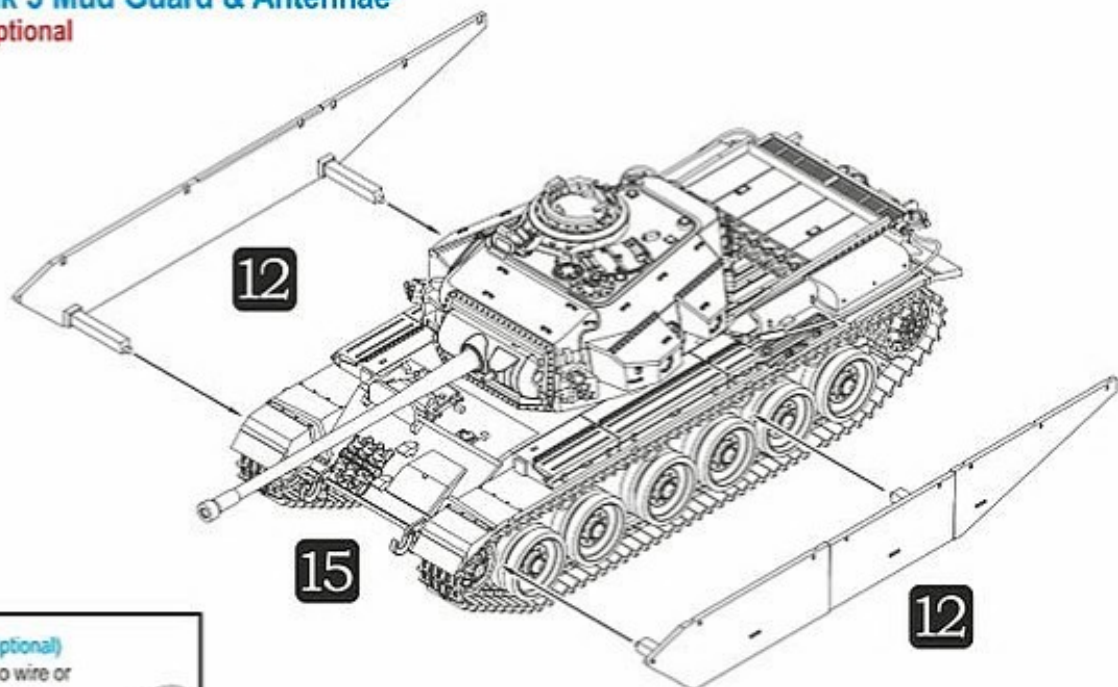
# 15 Centurion MBT Mk 3 Final Assembly



# 16

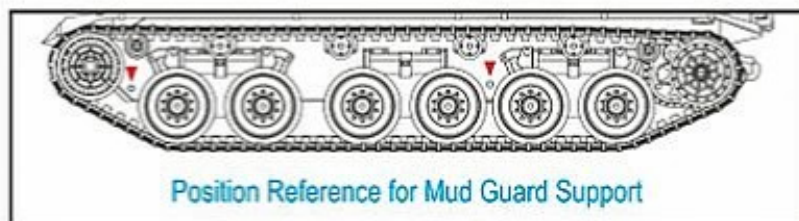
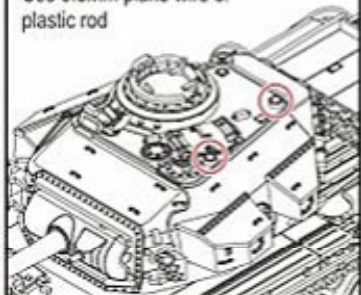
## Mk 3 Mud Guard & Antennae

Optional



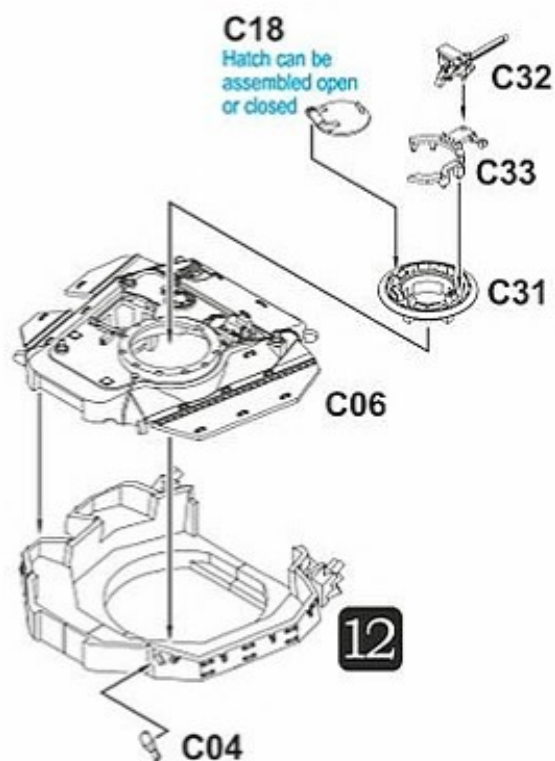
### Antennae (optional)

Use 0.5mm piano wire or plastic rod



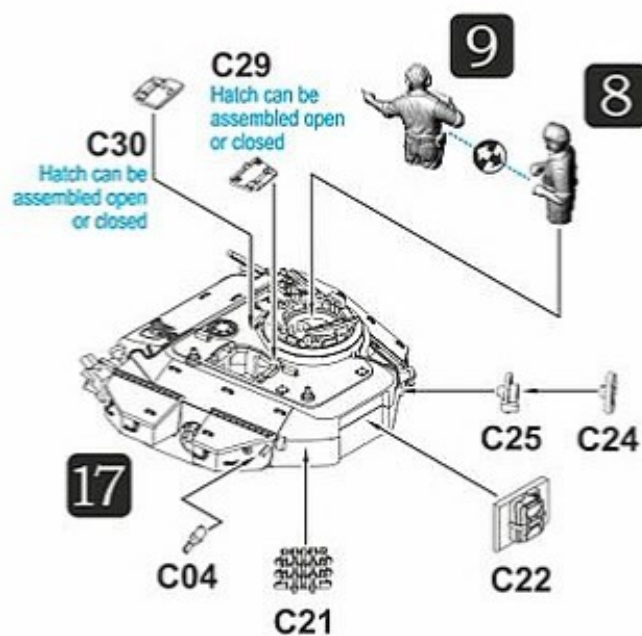
# 17

## Turret Assembly for Mk 5 (from STEP 12)

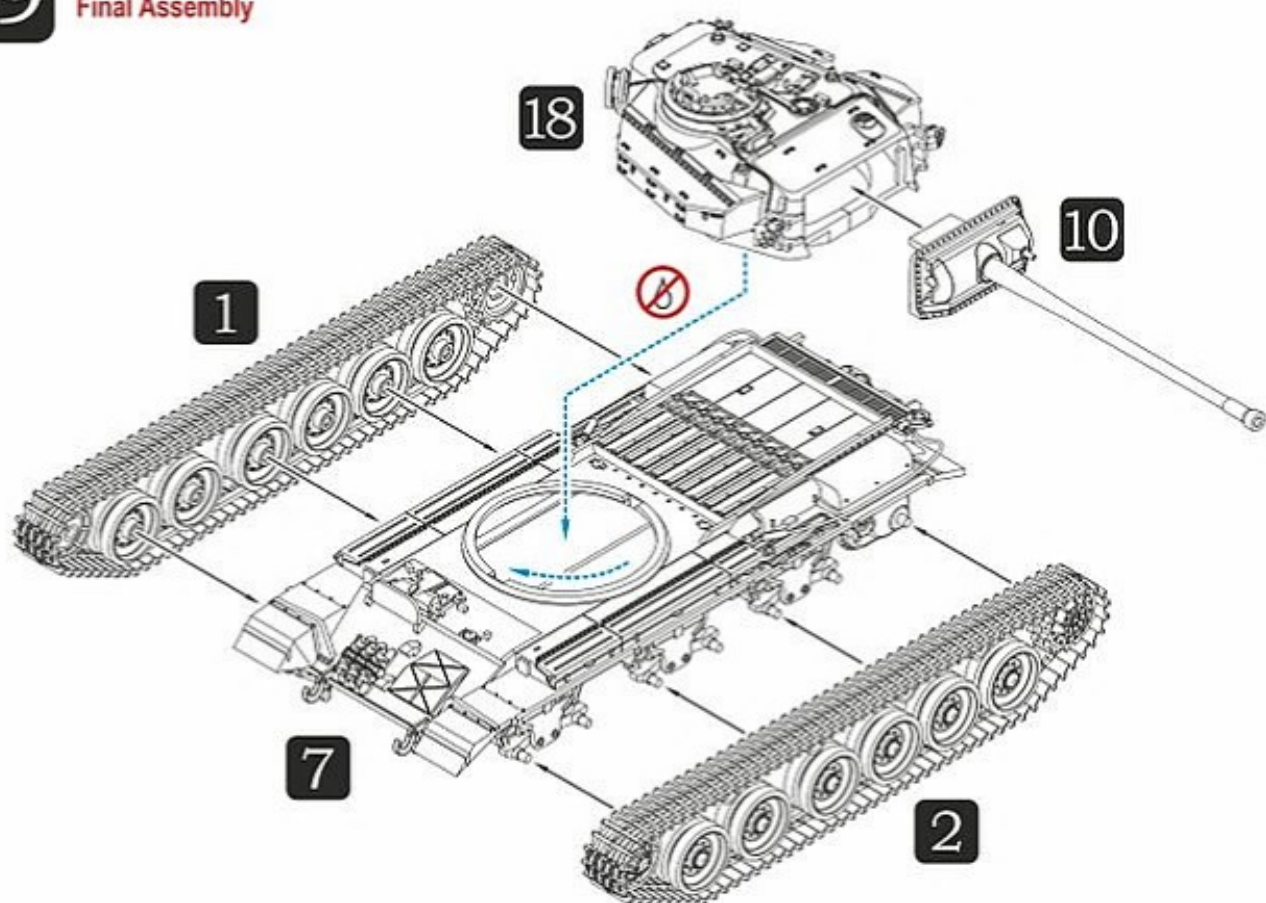


# 18

## Turret Assembly for Mk 5 (continues...)





**19****Centurion MBT Mk 5**  
Final Assembly**20****Mk 5 Mud Guard & Antennae**  
Optional**Antennae (optional)**

Use 0.5mm piano wire or plastic rod

