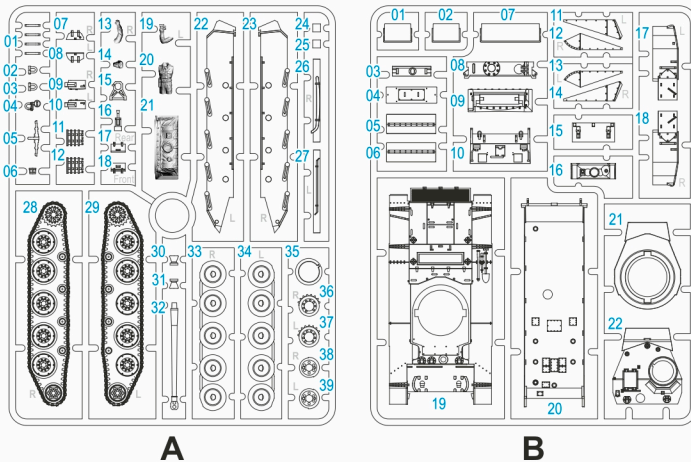




Product Code: 280094  
 200602-2



- When you use glue or paint, do not use near a naked flame, and use in a well-ventilated area.
- When assembling this kit, tools including knives are used. Extra care should be taken to avoid personal injury.
- Keep out of reach of small children.

Read carefully and fully understand the instructions before commencing assembly. Model supplied unpainted. Bases, scenery, glue and paint not included. Legend used:



Choices



Optional



No glue



Drill hole



Bend

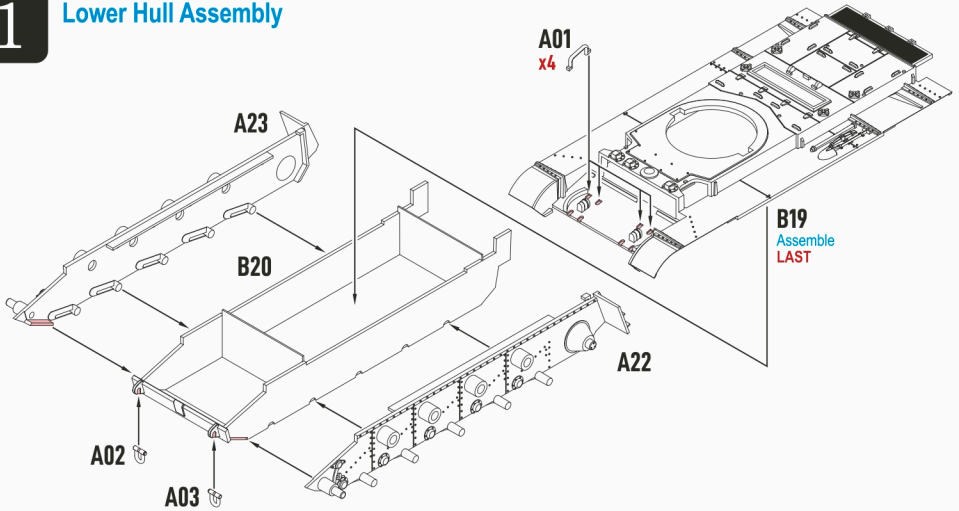


Cut or trim with care

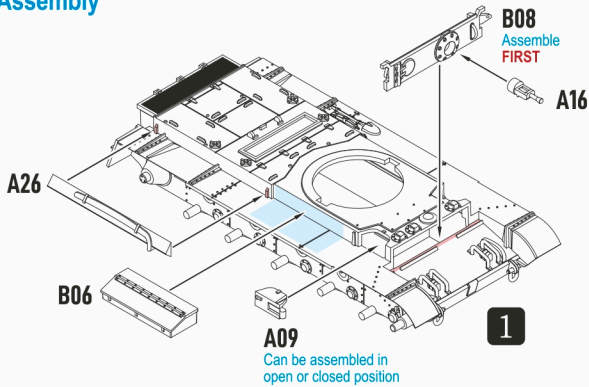
Please use **ABS Plastic Cement** for our plastic kits.

## WARNING

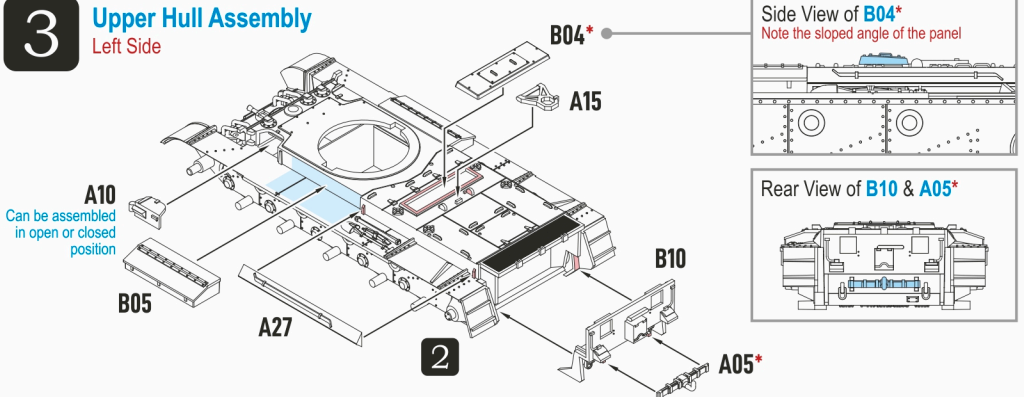
- THIS IS NOT A TOY
- INTENDED FOR COLLECTORS OF AGE 14 AND ABOVE
- CONTAINS SMALL PARTS AND POINTED COMPONENTS
- NOT SUITABLE FOR CHILDREN UNDER 6 YEARS OLD
- MODEL MAY VARY FROM IMAGE ON BOX
- READY TO ASSEMBLE PRECISION MODEL KIT

**1****Lower Hull Assembly****2****Upper Hull Assembly**

Right Side

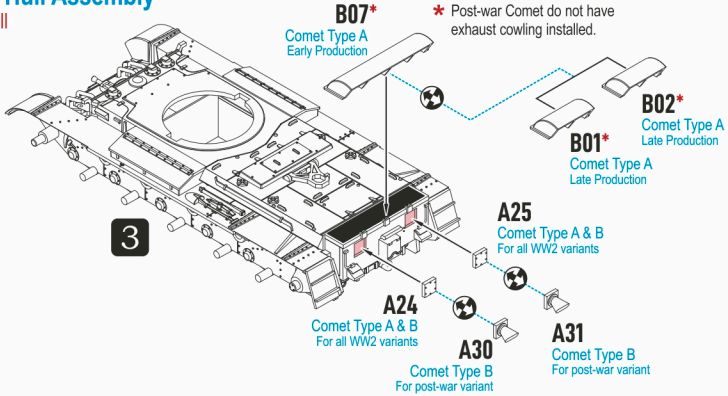
**3****Upper Hull Assembly**

Left Side



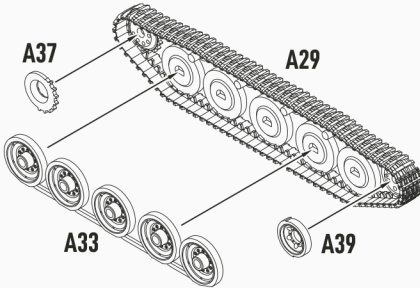
# 4

## Upper Hull Assembly Rear Hull



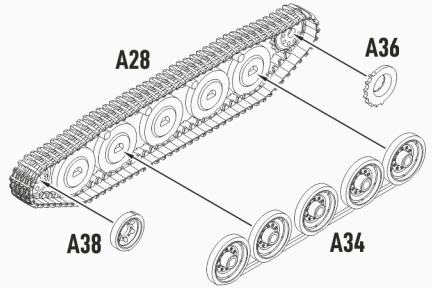
# 5

## Track Assembly Left Side



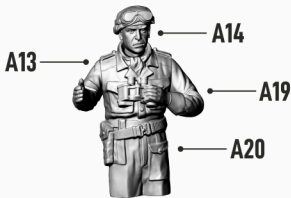
# 6

## Track Assembly Right Side



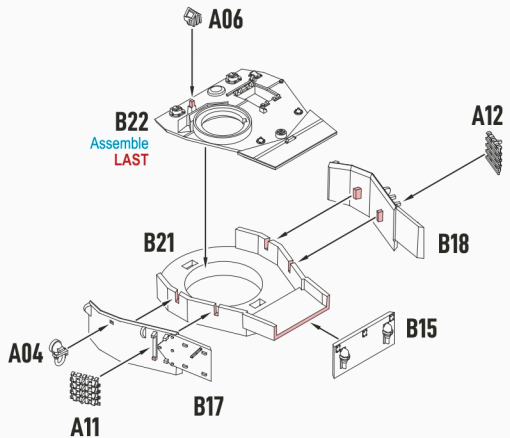
# 7

## Tank Commander Assembly



# 8

## Turret Assembly Basics



If you like this **A34 Comet**, you might also want to take a look at our other Commonwealth vehicles, ranging from tanks, trucks, to light vehicles. **Rubicon Models** also have a wide range of plastic and pewter figures to go with our WW2 vehicle products. Please visit our regional webstores for more product information.

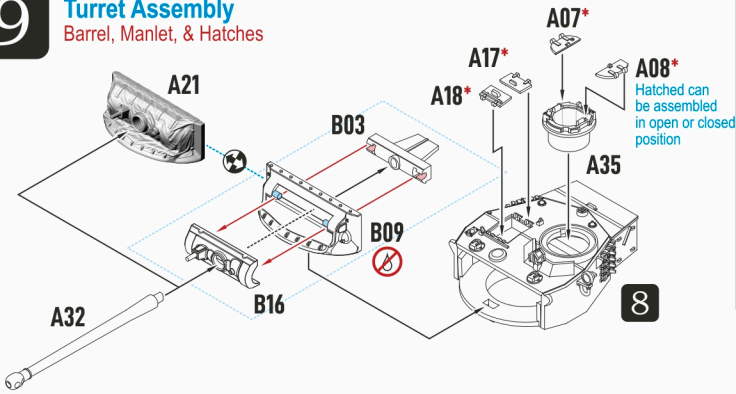
Please also visit our official Facebook page at <https://www.facebook.com/rubiconmodels>

Follow our Facebook page to show your support!

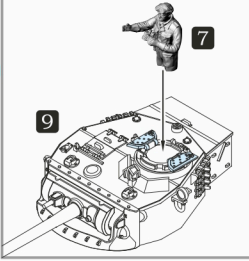
# 9

## Turret Assembly

Barrel, Manlet, & Hatches



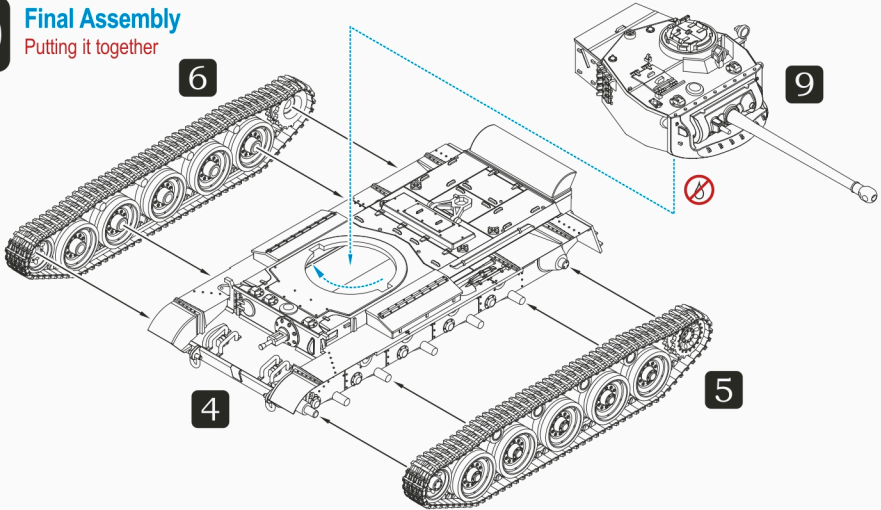
\* The commander hatch **A07** and **A08** must be in open position to have the tank commander insert in place.



# 10

## Final Assembly

Putting it together



# 11

## Final Assembly

Completion

