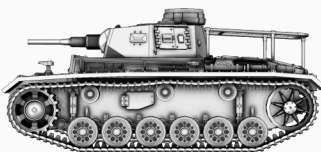




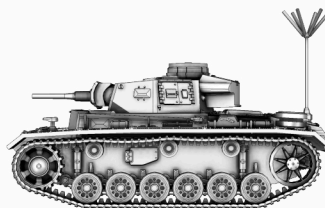
Product Code: **280093**  
230302-2



PzBfWg III Ausf E



PzBfWg III Ausf H



PzBfWg III Ausf J / L

### ! READ THIS FIRST BEFORE ASSEMBLY STARTS...

Please study the instruction thoroughly **before** actual assembly. This kit enables you to build either a **Panzerbefehlswagen III Ausf E, Ausf H or Ausf J/L** medium command tank. It is good practice to **test fit** all parts and study all build options **before** gluing them together. This will save you time and frustrations!

A sprue layout guide is located at the back of this instruction booklet. Some (optional) parts require drilling holes in the parts they are being placed. To ensure best fitting, please use drill bit of 1.3mm (0.05") in diameter.



- When you use glue or paint, do not use near a naked flame, and use in a well-ventilated area.
- When assembling this kit, tools including knives are used. Extra care should be taken to avoid personal injury.
- Keep out of reach of small children.

Read carefully and fully understand the instructions before commencing assembly. Model supplied unpainted. Bases, scenery, glue and paint not included. Meaning of symbols used:



Choices



Optional



No glue



Drill hole



Bend



Cut or trim  
with care

 Please use **ABS Plastic Cement** for assembly.

### WARNING

- THIS IS NOT A TOY
- INTENDED FOR COLLECTORS OF AGE 14 AND ABOVE
- CONTAINS SMALL PARTS AND POINTED COMPONENTS
- NOT SUITABLE FOR CHILDREN UNDER 6 YEARS OLD
- MODEL MAY VARY FROM IMAGE ON BOX
- READY TO ASSEMBLE PRECISION MODEL KIT



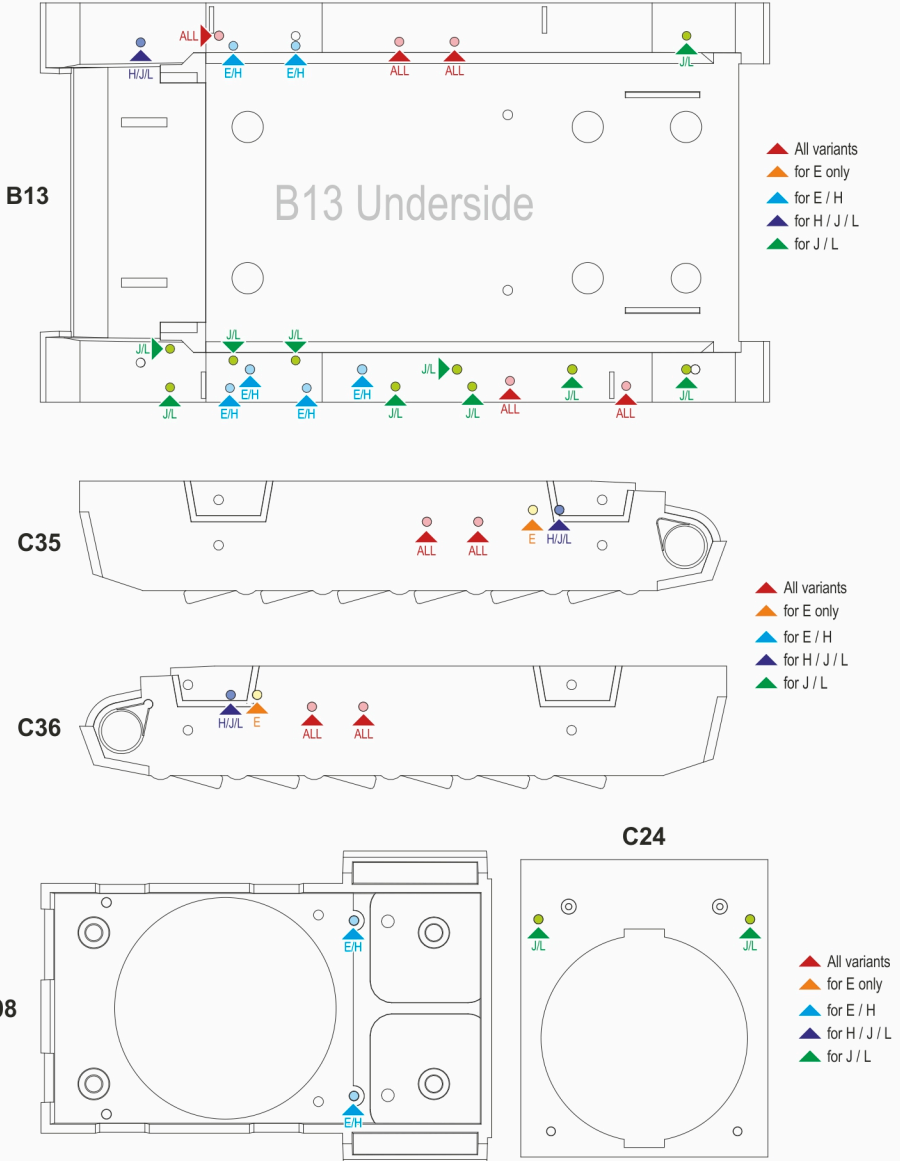
### READ THIS FIRST BEFORE ASSEMBLY STARTS...

Please study the instruction thoroughly **before** actual assembly. This kit offers you a choice to build a **Panzerbefehlswagen III Ausf E, Ausf H, or Ausf J/L** command tank.

It is good practice to **test fit** all parts and study all build options **before** gluing them together. This will save you time and frustrations!



**Before assembly starts, please drill holes selectively** from the **underside** to the following parts based on the variant you intended to build.





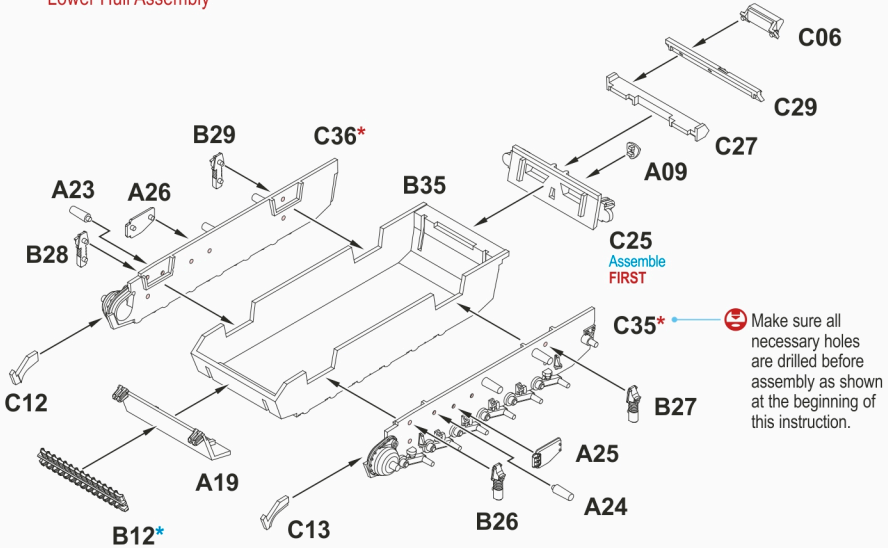
## WHERE TO START...

If you are going to build an **Ausf E**, start from **STEP 1a**. For an **Ausf H**, please jump to **STEP 2a**, and for an **Ausf J/L**, please skip to **STEP 3a**. To complete the assembly, please continue from **STEP 4**.

# 1a

## Panzerbefehlswagen III Ausf E Assembly

Skip to **STEP 2a** for **Ausf H** and **STEP 3a** for **Ausf J/L** variant  
Lower Hull Assembly

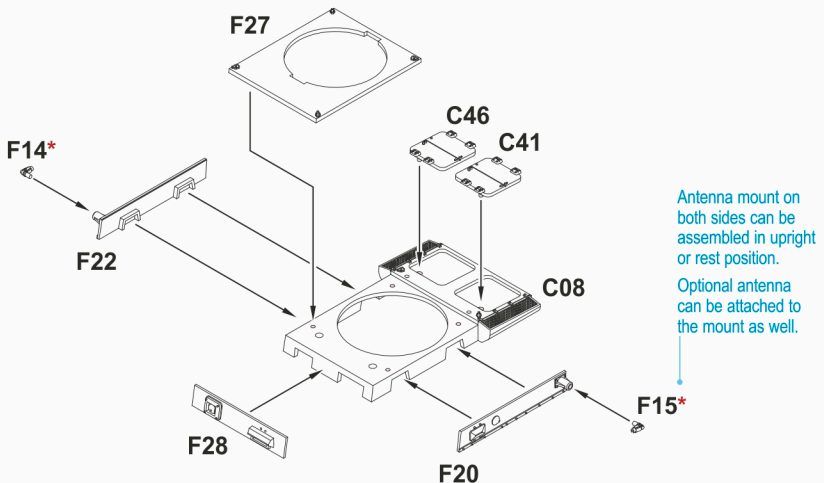


\* Optional

# 1b

## PzBfWg III Ausf E

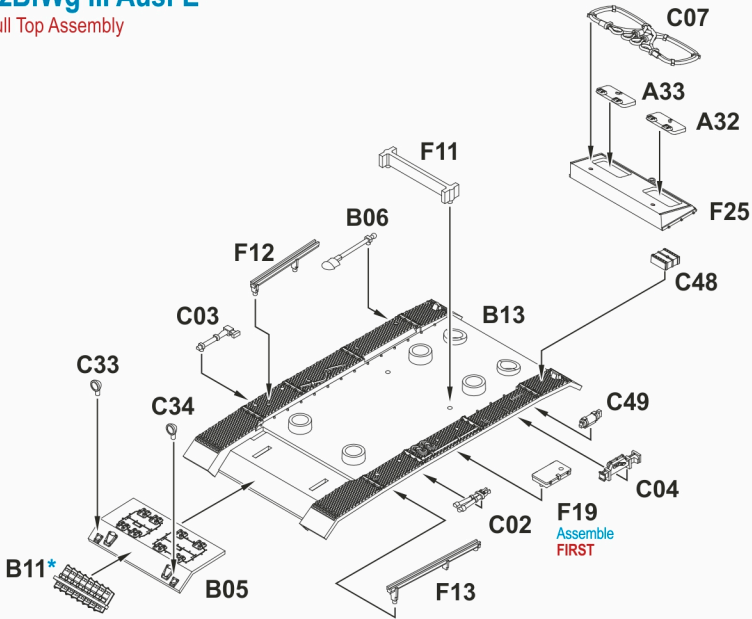
Upper Chassis Assembly



# 1c

## PzBfWg III Ausf E

Hull Top Assembly

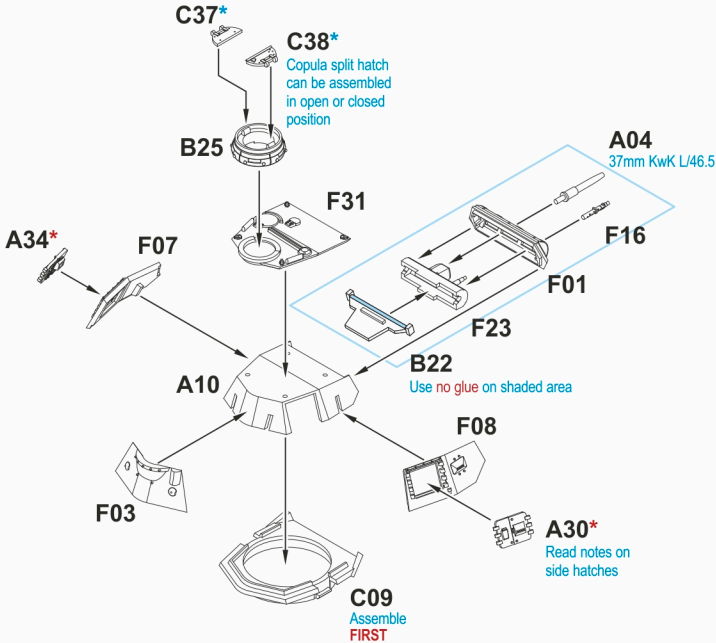


\* Optional

# 1d

## PzBfWg III Ausf E

Turret Assembly

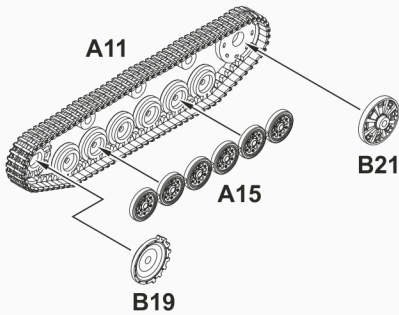


**\*Turret Side Hatches**

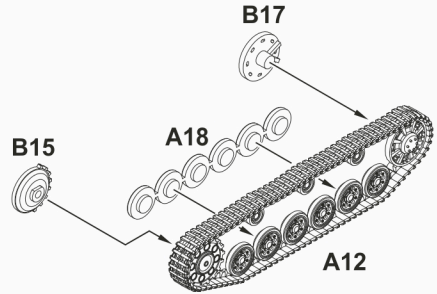
Turret side hatches **A30** and **A34** can be assembled in open position by cutting the part(s) along the debossed line from the underside of the hatch as shown:

**1e****PzBfWg III Ausf E**

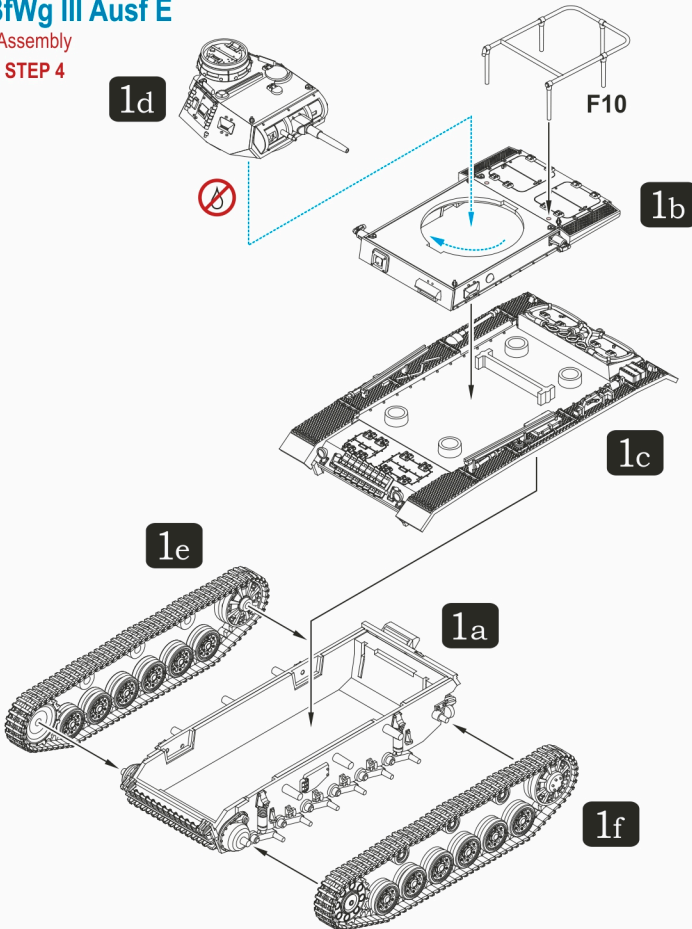
Right Track Link &amp; Roadwheels

**1f****PzBfWg III Ausf E**

Left Track Link &amp; Roadwheels

**1g****PzBfWg III Ausf E**

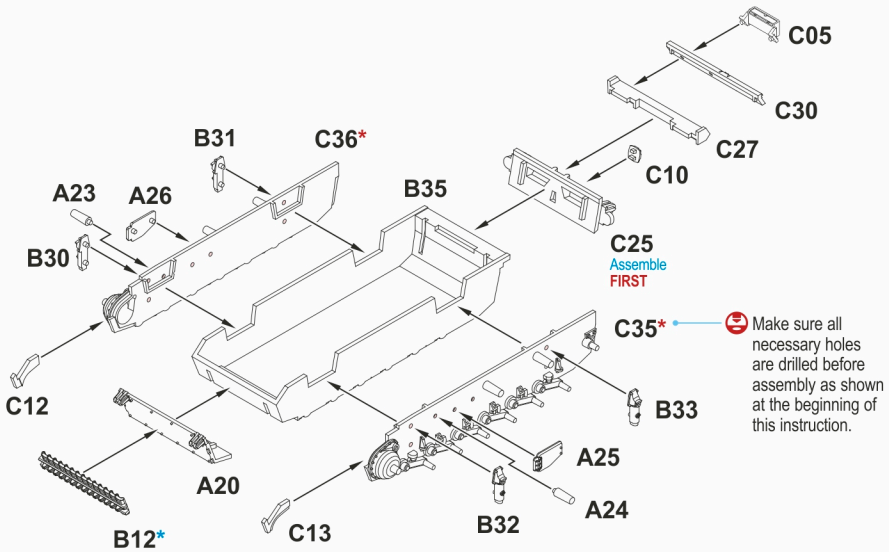
Final Assembly

Go to **STEP 4**

# 2a

## Panzerbefehlswagen III Ausf H Assembly

Skip to **STEP 3a** for Ausf J/L variant  
Lower Hull Assembly

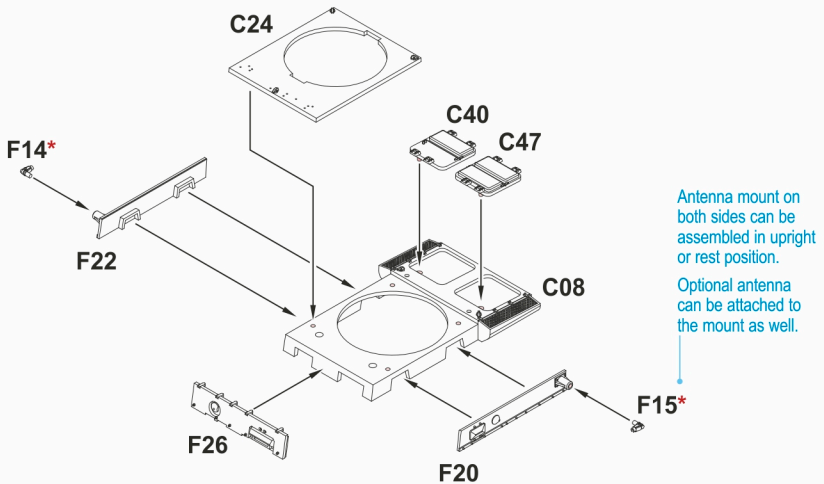


\* Optional

# 2b

## PzBfWg III Ausf H

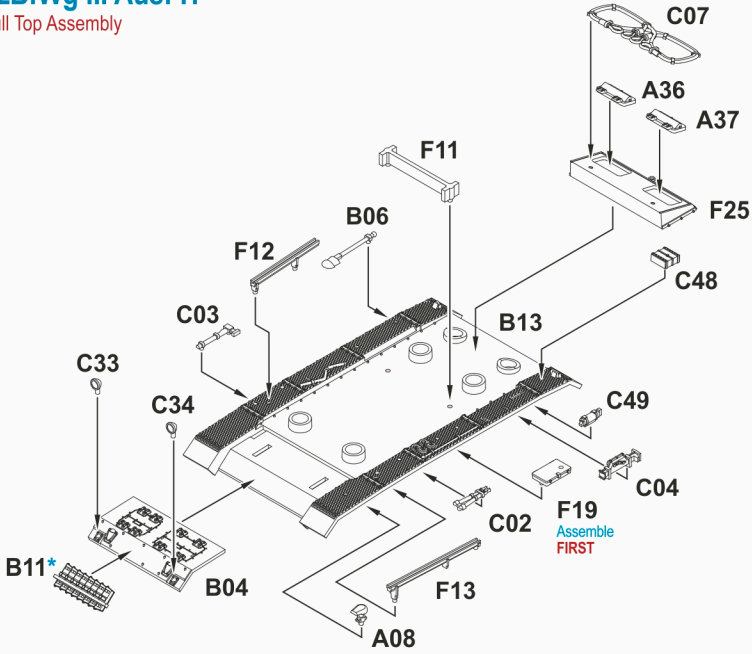
Upper Chassis Assembly



# 2c

## PzBfWg III Ausf H

### Hull Top Assembly

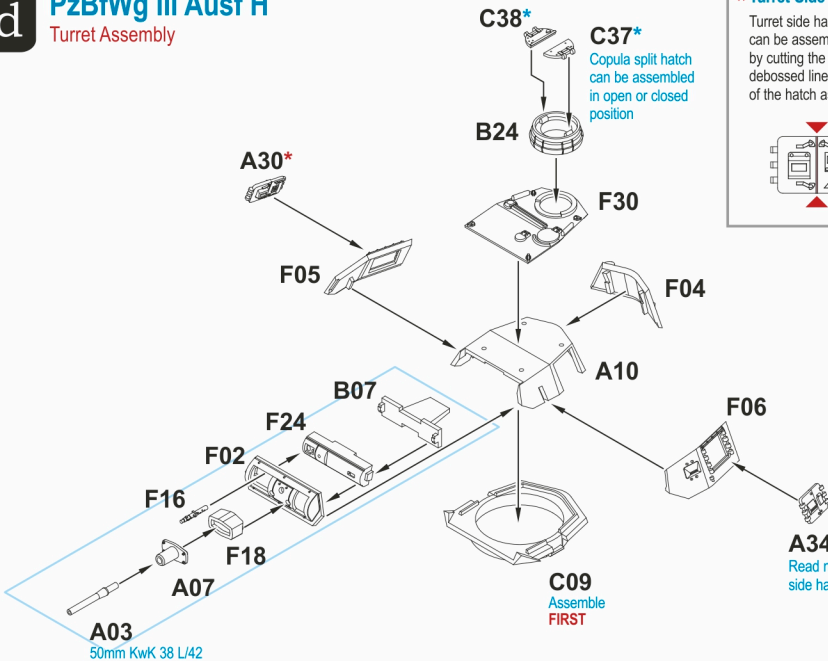


\* Optional

# 2d

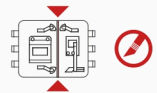
## PzBfWg III Ausf H

### Turret Assembly



### \*Turret Side Hatches

Turret side hatches **A30** and **A34** can be assembled in open position by cutting the part(s) along the debossed line from the underside of the hatch as shown:



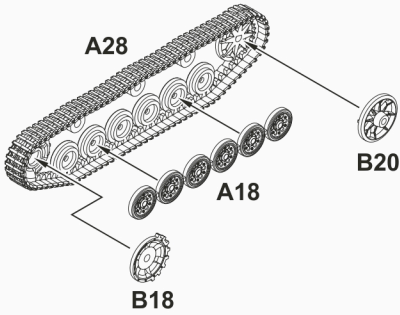
**A03**  
50mm KwK 38 L/42

**A34\***  
Read notes on side hatches

2e

### PzBfWg III Ausf H

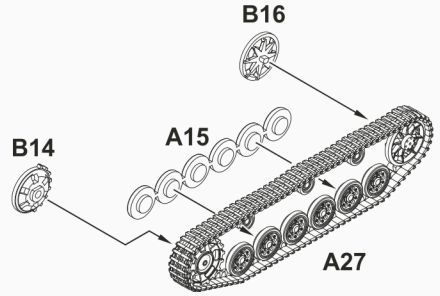
Right Track Link & Roadwheels



2f

### PzBfWg III Ausf H

Left Track Link & Roadwheels

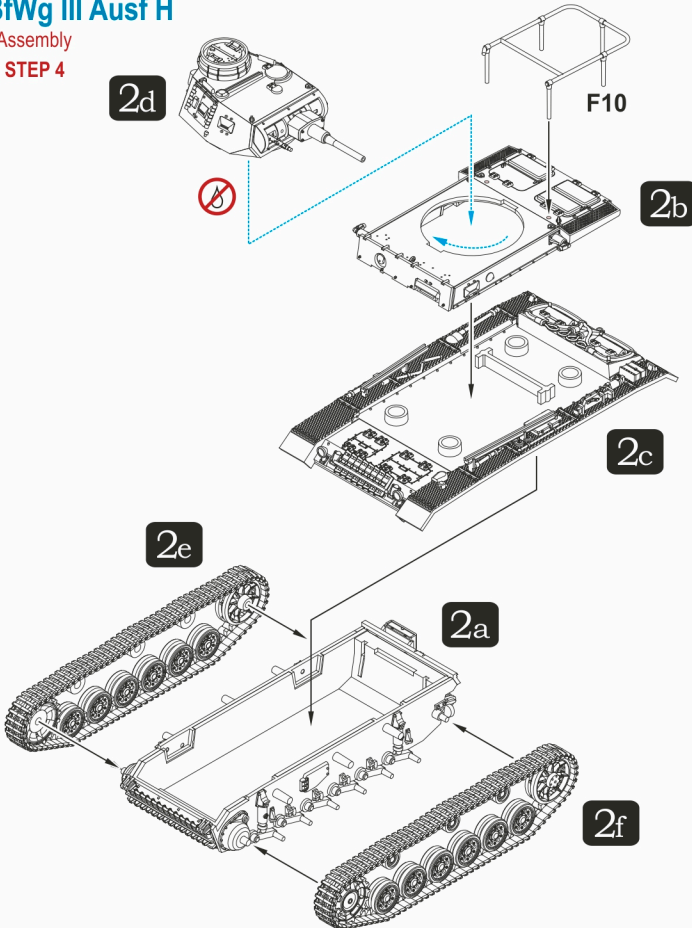


2g

### PzBfWg III Ausf H

Final Assembly

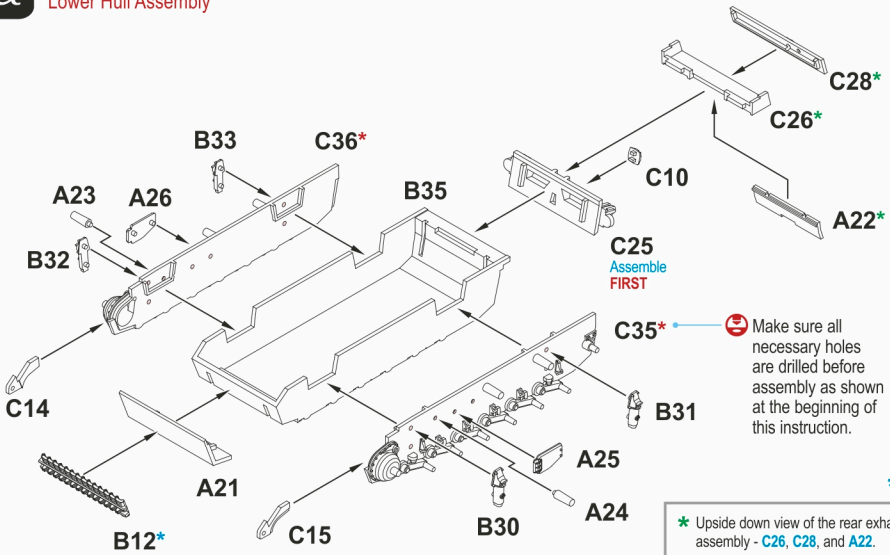
Go to STEP 4



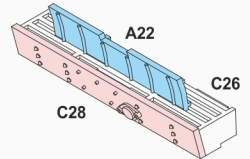
# 3a

## Panzerbefehlswagen III Ausf J/L Assembly

### Lower Hull Assembly



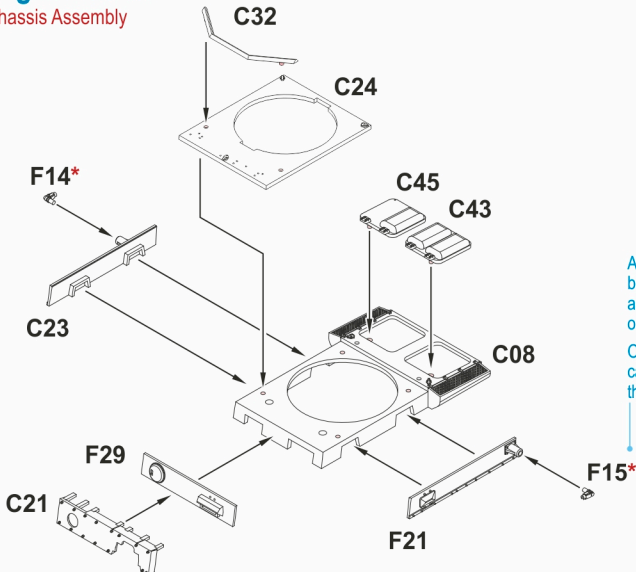
\* Upside down view of the rear exhaust assembly - C26, C28, and A22.



# 3b

## PzBfWg III Ausf J/L

### Upper Chassis Assembly



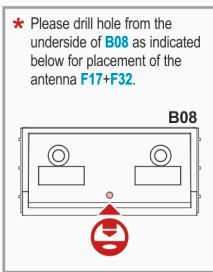
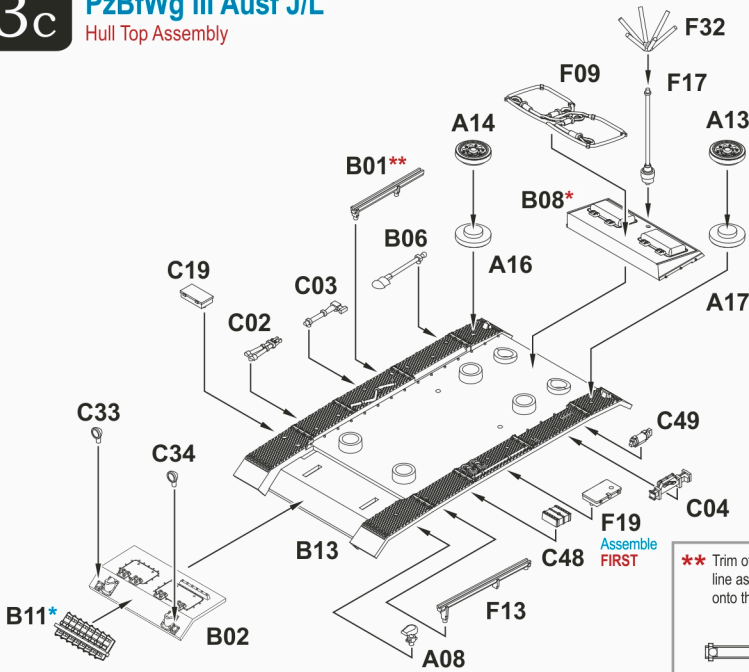
Antenna mount on both sides can be assembled in upright or rest position.

Optional antenna can be attached to the mount as well.

# 3c

## PzBfWg III Ausf J/L

### Hull Top Assembly



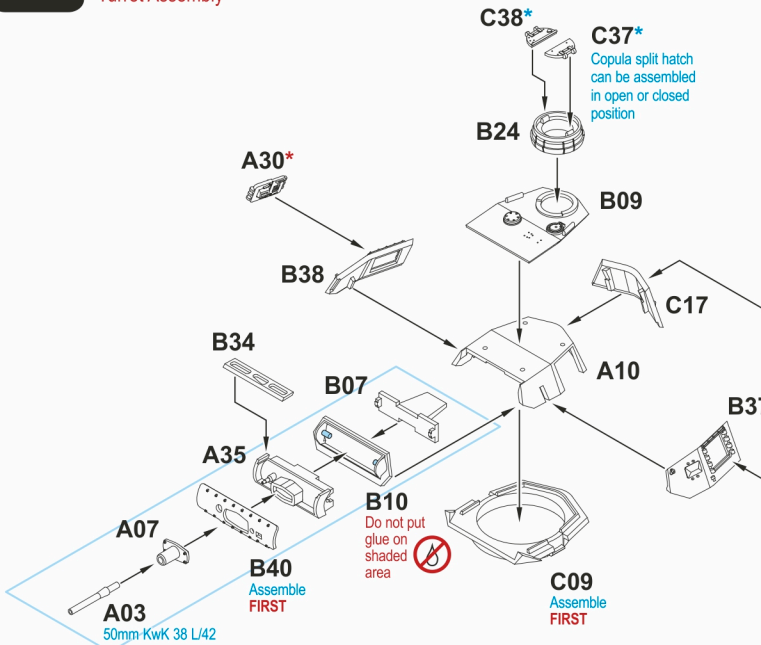
\* Optional

\*\* Trim off portion of B01 along the debossed line as shown before gluing it onto the hull top B13.

# 3d

## PzBfWg III Ausf J/L

### Turret Assembly



\* Turret Side Hatches

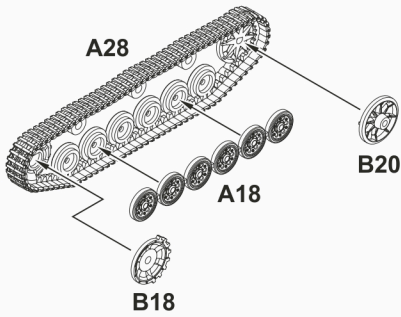
Turret side hatches A30 and A34 can be assembled in open position by cutting the part(s) along the debossed line from the underside of the hatch as shown:

B10  
Do not put glue on shaded area

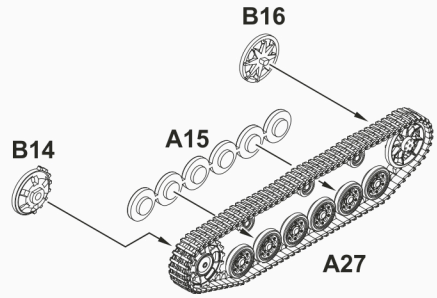
A34\*  
Read notes on side hatches

**3e****PzBfWg III Ausf J/L**

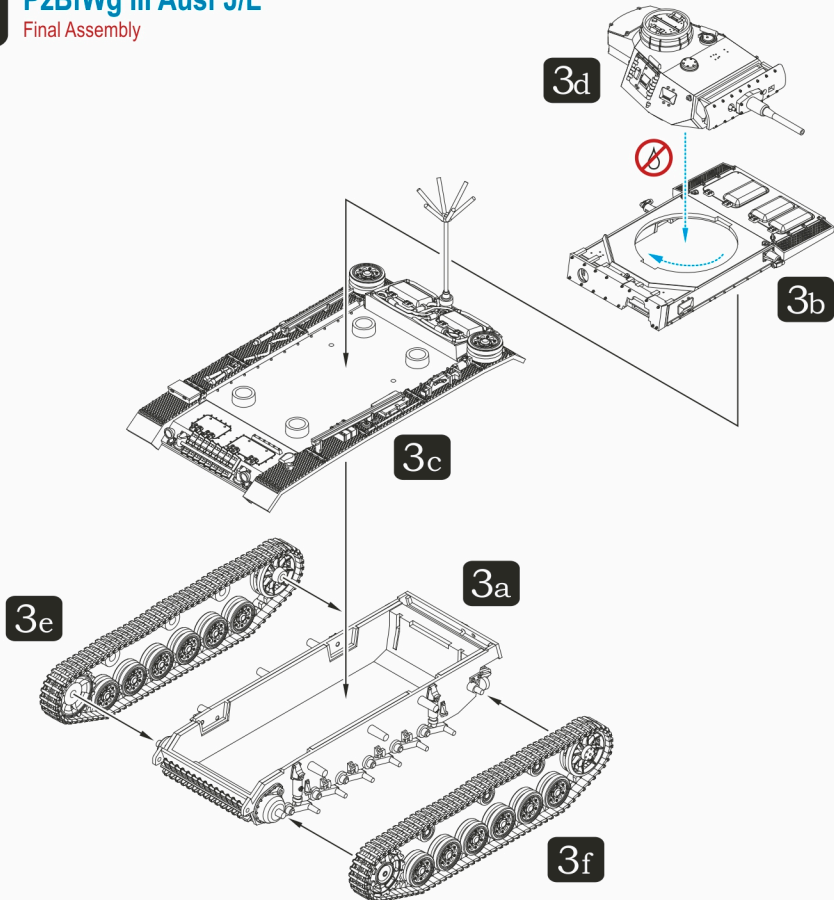
Right Track Link &amp; Roadwheels

**3f****PzBfWg III Ausf J/L**

Left Track Link &amp; Roadwheels

**3g****PzBfWg III Ausf J/L**

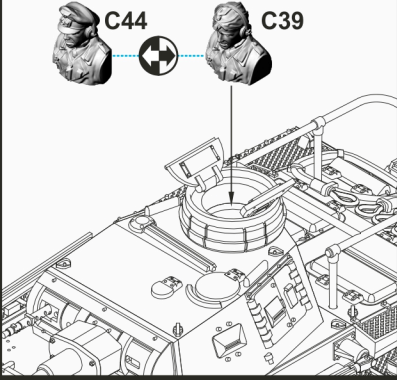
Final Assembly



# 4

## Panzer Crew

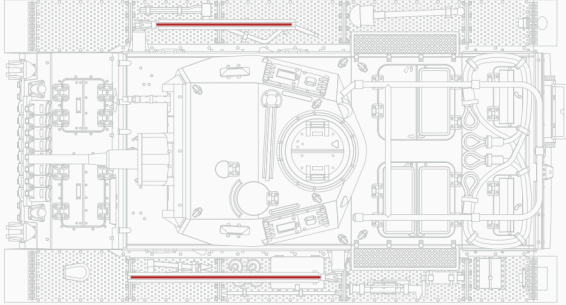
Optional



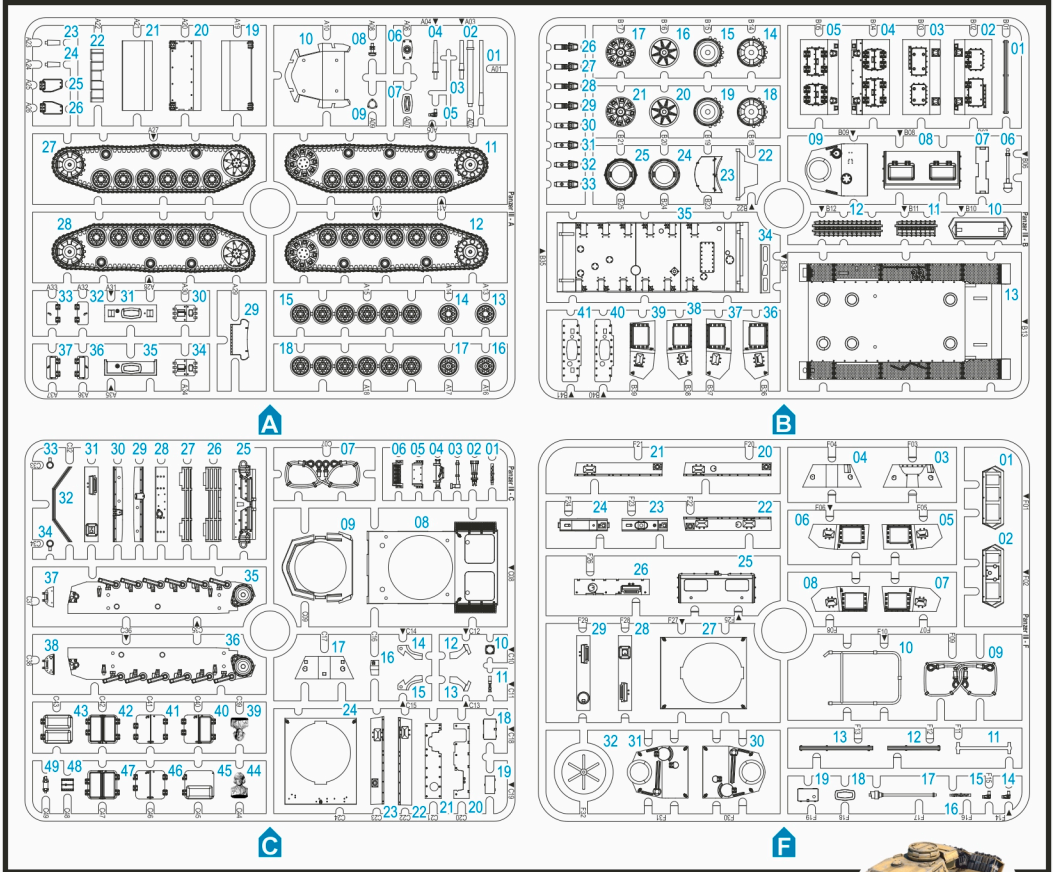
# 5

## Radio Antennae

Optional, Not Included



\* Use 0.5mm copper or plastic rod and attach to the antenna mount **A05, F14, or F15**



If you like this **Panzerbefehlswagen III** command tank, you might also want to take a look at our other **Panzer III** medium tanks. Please visit our regional webstores for more production information.

Facebook Please also visit our official Facebook page at <https://www.facebook.com/rubiconmodels>

Follow our Facebook page to show your support!



Panzer III Ausf G Medium Tank