



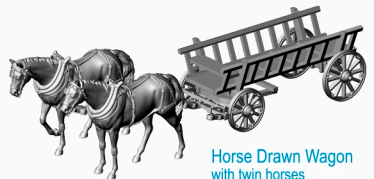
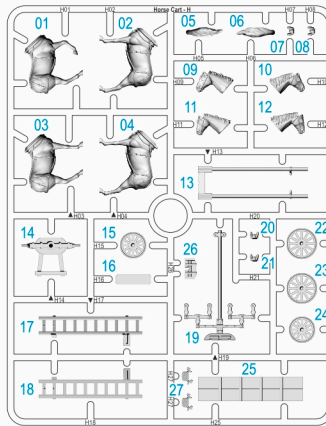
Product Code: 280090
200317-2

READ THIS FIRST - IMPORTANT

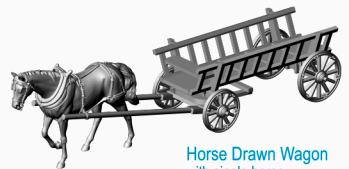
Please study the instruction thoroughly and understand each step **before** the actual assembly. This kit enables you to build either a horse-drawn wagon with **single** or **twin** horses.

It is also good practice to **test fit** all parts and study all build options **before** gluing them together. This will save you time and frustrations!

Because of the design and layout of the wagon and the horses, the use of a **display base** to mount the kit is **highly recommended**. Display base is not included.



Horse Drawn Wagon with twin horses



Horse Drawn Wagon with single horse

H



- When you use glue or paint, do not use near a naked flame, and use in a well-ventilated area.
- When assembling this kit, tools including knives are used. Extra care should be taken to avoid personal injury.
- Keep out of reach of small children.

Read carefully and fully understand the instructions before commencing assembly. Model supplied unpainted. Bases, scenery, glue and paint not included. Legend used:



Choices



Optional



No glue



Drill hole



Bend



Cut or trim with care

 Please use **ABS Plastic Cement** for our plastic kits.

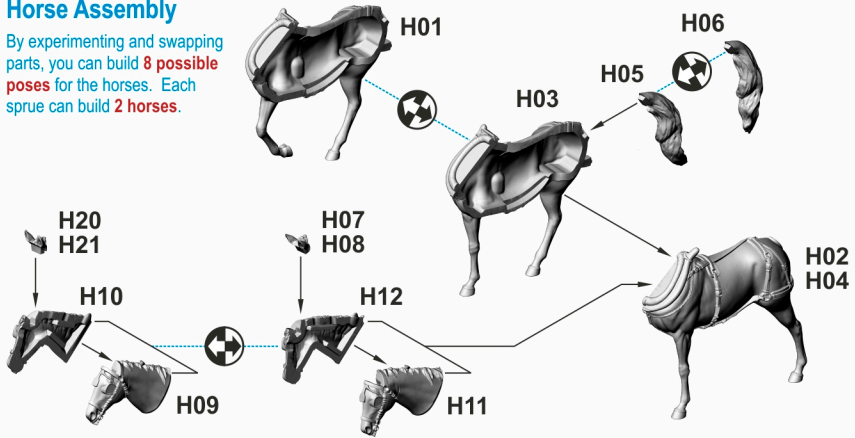
WARNING

- THIS IS NOT A TOY
- INTENDED FOR COLLECTORS OF AGE 14 AND ABOVE
- CONTAINS SMALL PARTS AND POINTED COMPONENTS
- NOT SUITABLE FOR CHILDREN UNDER 6 YEARS OLD
- MODEL MAY VARY FROM IMAGE ON BOX
- READY TO ASSEMBLE PRECISION MODEL KIT

1

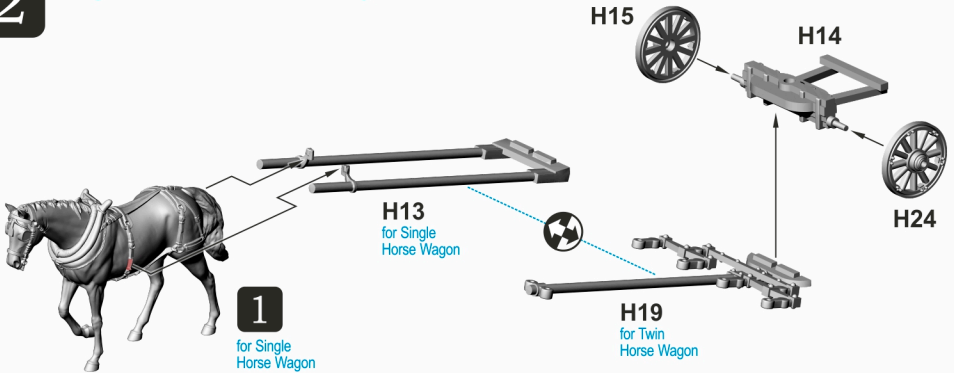
Horse Assembly

By experimenting and swapping parts, you can build **8 possible poses** for the horses. Each sprue can build **2 horses**.



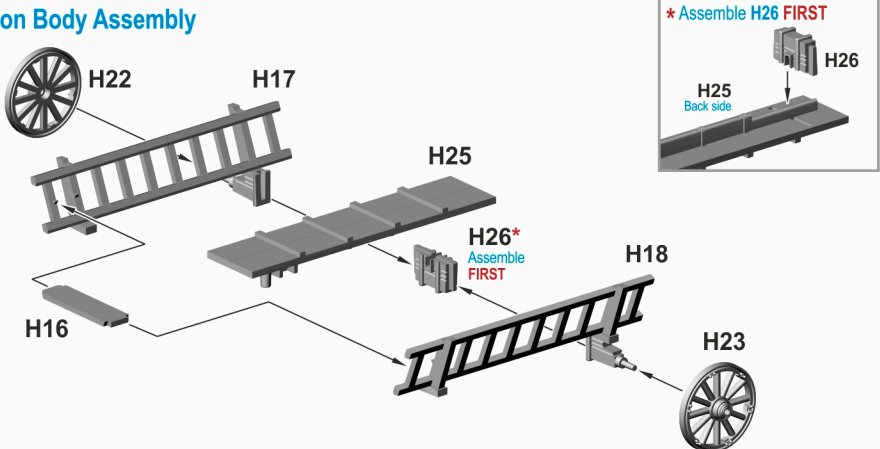
2

Wagon Front Wheel Assembly



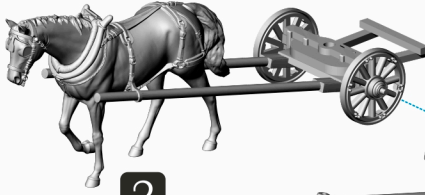
3

Wagon Body Assembly



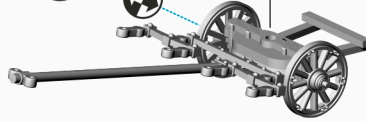
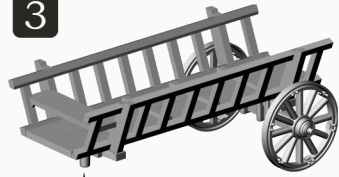
4

Finishing off the Assembly



2
for Single
Horse Wagon

3



2
for Twin
Horse Wagon

5

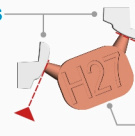
Additional Step for Twin Horses

Attaching Sleeves for Trace for Horses



There are two **H27** parts. Each **H27** consisted of two sleeves (grey parts in the left diagram) attached on a "handle" (highlighted **RED**) for ease of handling the smaller part. Position one of the sleeves into the slot at the side of the horse, apply glue and then cut away the handle. Repeat on the other side.

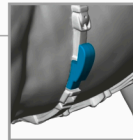
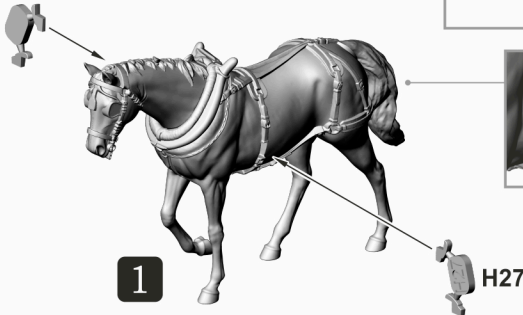
Sleeves



* Cut away handle (highlighted **RED**) after gluing the sleeve in place.

Handle

H27



284086
European Civilian
Farmhand Set 1



284087
European Civilian
Horse Cart Figures Set

If you like this **Horse Drawn Wagon**, you might want to take a look at our related pewter figure sets. **Rubicon Models** also have a wide range of plastic and pewter figures to go with our other WW2 vehicle products. For more info, please visit our regional webstores.



Please also visit our official Facebook page at <https://www.facebook.com/rubiconmodels>

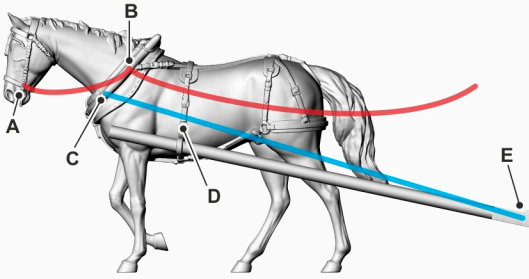


Follow our Facebook page to show your support!

6

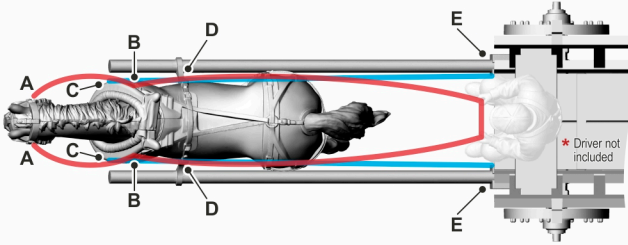
Attaching Reins & Traces

for Single Horse Wagon (optional)



- Rein
- Trace

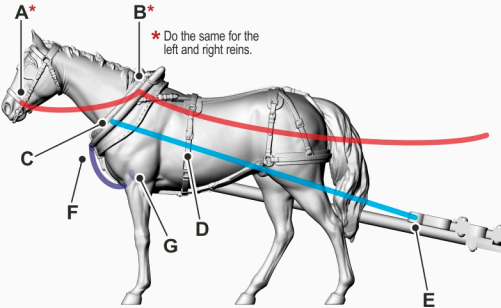
- Use thread or thin plastic strips as reins and traces (not included).
- **A B C D E** are attachment points. Use glue to fix the reins and traces to these locations.



7

Attaching Reins & Traces

for Twin Horse Wagon (optional)



- Pole Strap
- Traces
- Right Rein
- Left Rein

- Use thread or thin plastic strips as reins and traces (not included).
- Drill holes at **E & G** to attach traces and straps.
- **A B C D F** are attachment points. Use glue to fix the reins and traces to these locations.

