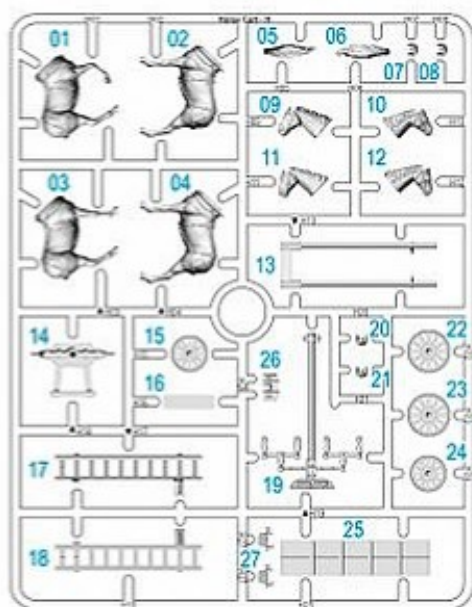


Horse Drawn Wagon
with twin horses

Horse Drawn Wagon
with single horse

Product Code: 280090



H



READ THIS FIRST - IMPORTANT

Please study the instruction thoroughly and understand each steps **before** the actual assembly. This kit enables you to build either a horse-drawn wagon with **single** or **twin** horses.

It is also good practice to **test fit** all parts and study all build options **before** gluing them together. This will save you time and frustrations!

Because of the design and layout of the wagon and the horses, the use of a **display base** to mount the kit is **highly recommended**. Display base is not included.



CAUTION

- When you use glue or paint, do not use near a naked flame, and use in a well-ventilated area.
- When assembling this kit, tools including knives are used. Extra care should be taken to avoid personal injury.
- Keep out of reach of small children.

Read carefully and fully understand the instructions before commencing assembly. Model supplied unpainted. Bases, scenery, glue and paint not included. Meaning of symbols used:



Choices



Optional



No glue



Drill hole



Bend



Cut or trim
with care

Please use **ABS Plastic Cement** for our products.

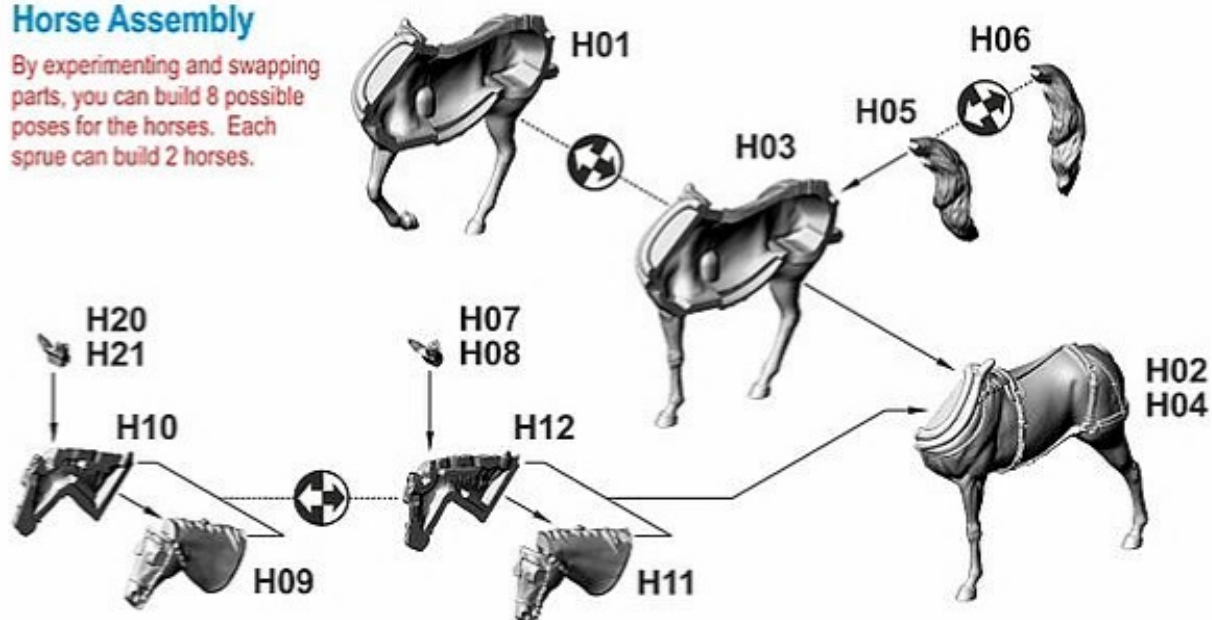
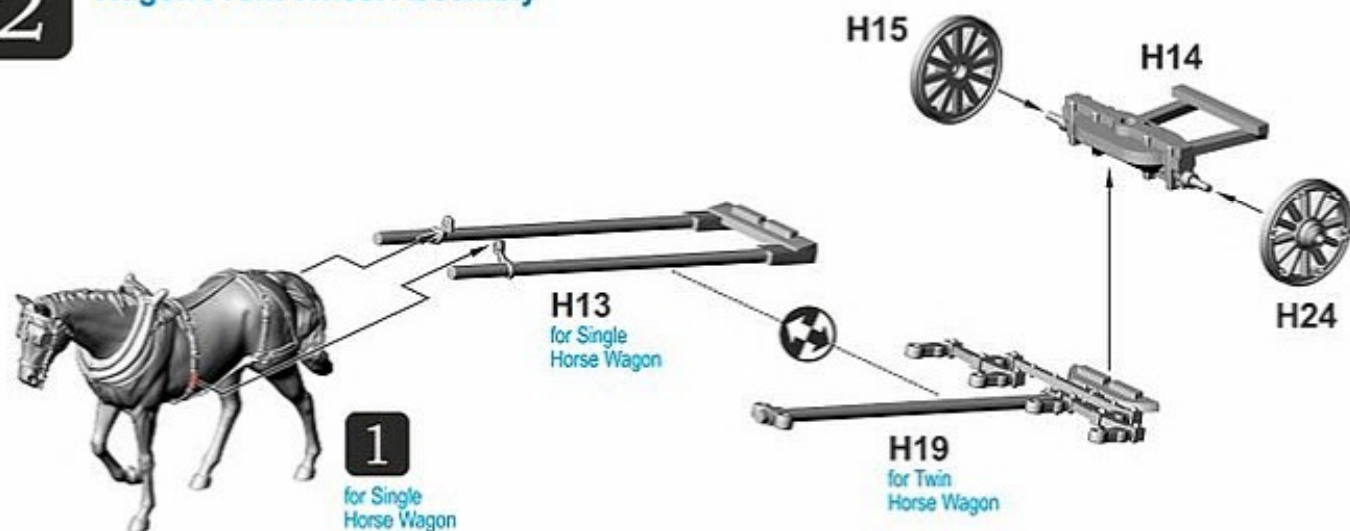
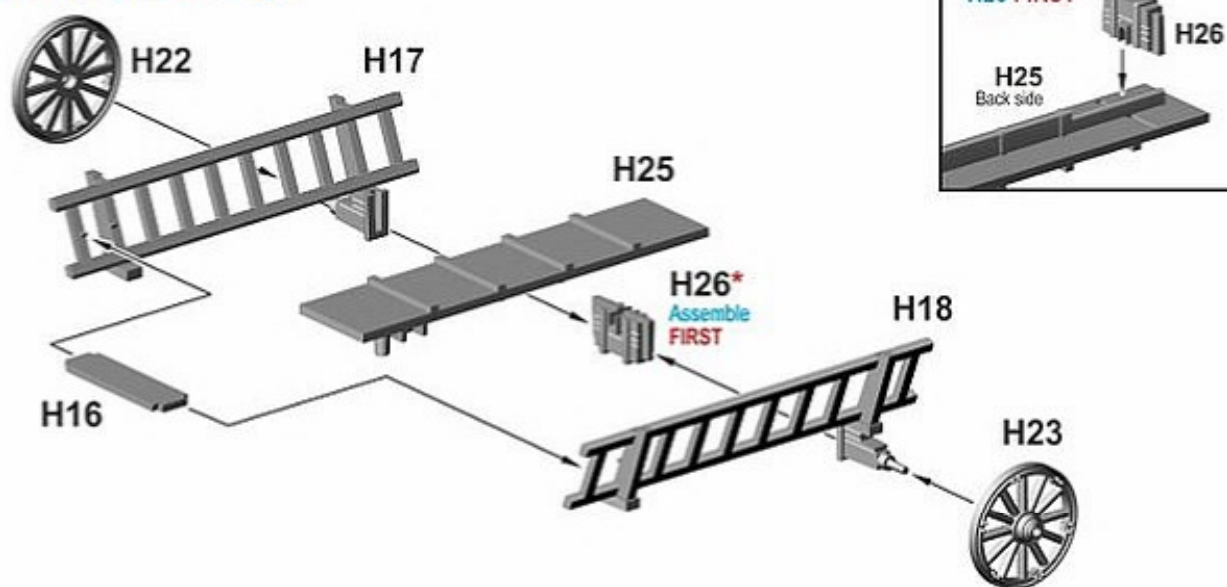
WARNING:

Contains small parts which may be hazardous to children under 14 years of age.



1**Horse Assembly**

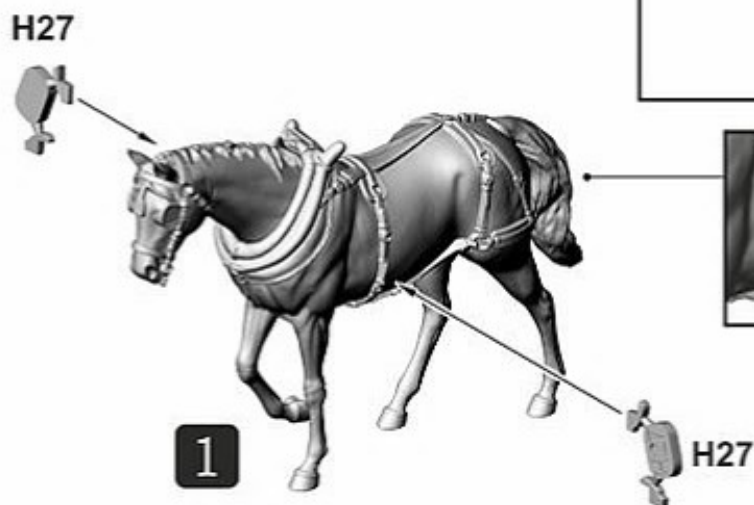
By experimenting and swapping parts, you can build 8 possible poses for the horses. Each sprue can build 2 horses.

**2****Wagon Front Wheel Assembly****3****Wagon Body Assembly**

4 Finishing off the Assembly



5 Additional Step for Twin Horses Attaching Sleeves for Trace for Horses



If you like this Horse Drawn Wagon, you might want to take a look at our related pewter figure sets. Rubicon Models also have a wide range of plastic and pewter figures to go with our other WW2 vehicle products. For more info, please visit our website at www.rubiconmodels.com.

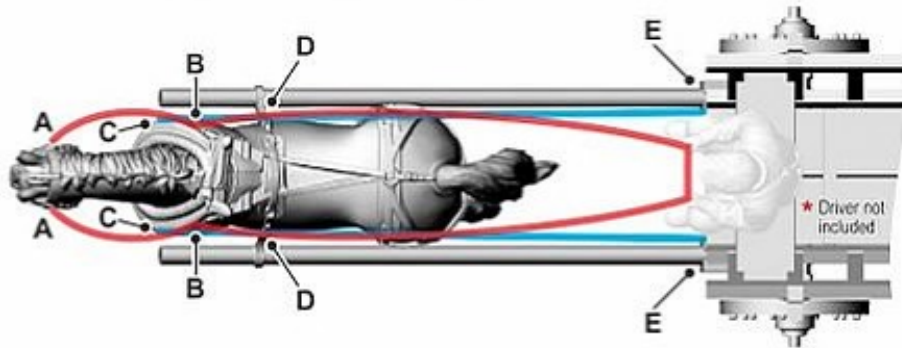
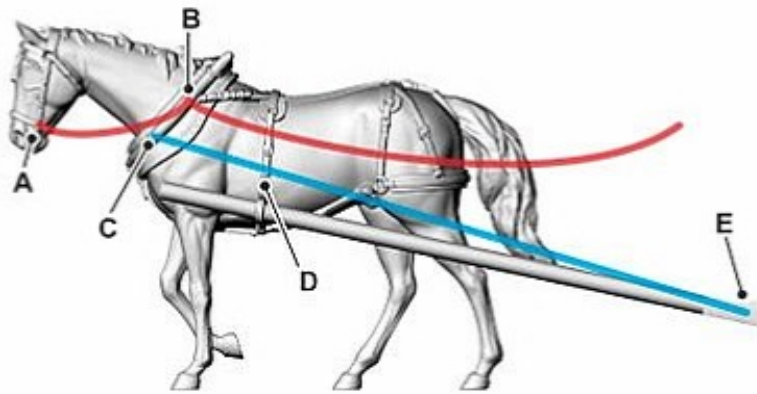
Please also check our official Rubicon Models forum at <http://forum.rubiconmodels.com/index.php> for the most up-to-date assembly instruction for this and other product.

Please also visit our Facebook page at <https://www.facebook.com/rubiconmodels>

Like our FB page to show your support!

6

Attaching Reins & Traces for Single Horse Wagon (optional)



■ Rein

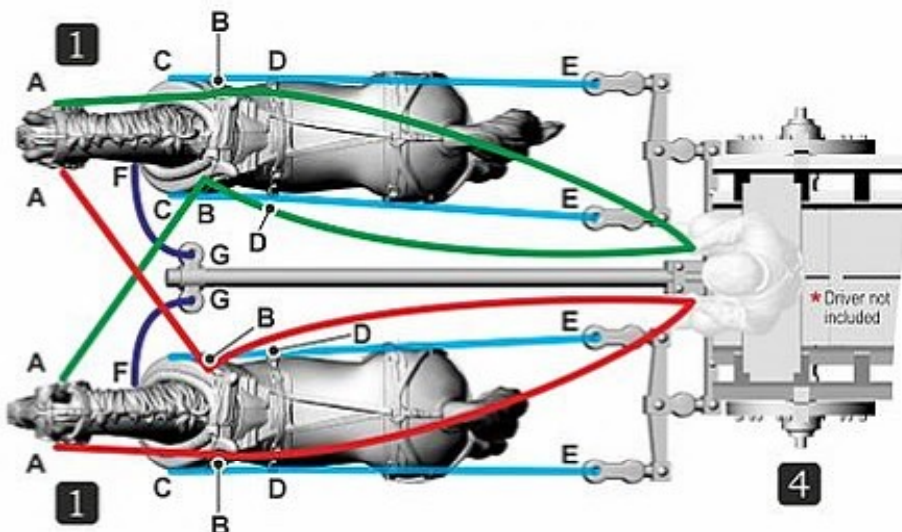
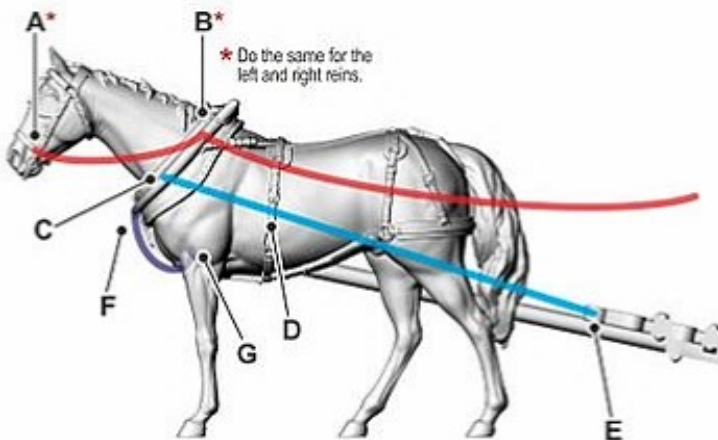
■ Trace

- Use thread or thin plastic strips as reins and traces (not included).

- A B C D E are attachment points. Use glue to fix the reins and traces to these locations.

7

Attaching Reins & Traces for Twin Horse Wagon (optional)



■ = Pole Strap

■ = Traces

■ = Right Rein

■ = Left Rein

- Use thread or thin plastic strips as reins and traces (not included).

- Drill holes at E & G to attach traces and straps.

- A B C D F are attachment points. Use glue to fix the reins and traces to these locations.