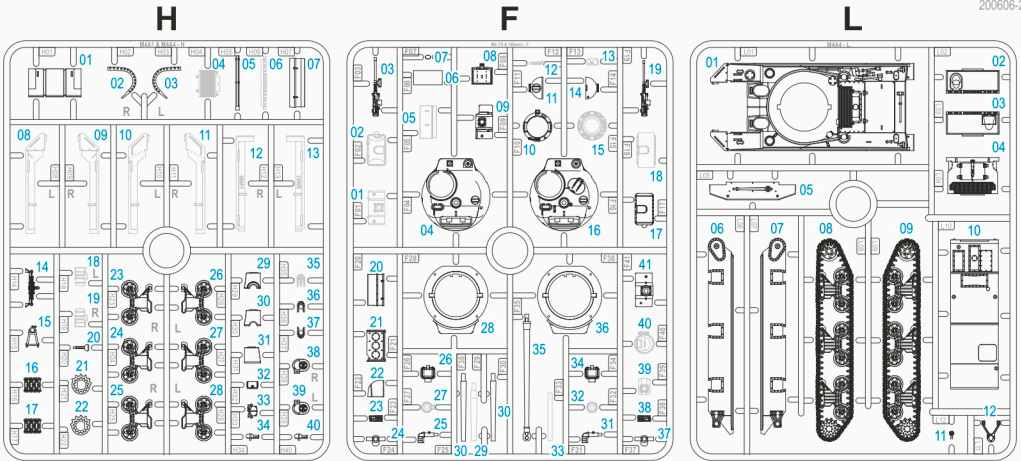


1:56 WW2 Military Vehicle Series M4A4 Sherman / Firefly VC

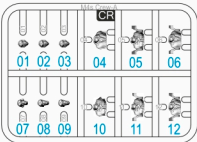
High or low bustle turret with 75mm or 17pdr gun



Product Code: **280088**
200606-2



▼ CR



- When you use glue or paint, do not use near a naked flame, and use in a well ventilated area.
- When assembling this kit, tools including knives are used. Extra care should be taken to avoid personal injury.
- Keep out of reach of small children.

Read carefully and fully understand the instructions before commencing assembly.
Model supplied unpainted. Bases, scenery, glue and paint not included. Meaning of symbols used:

- Choices
- Optional
- No glue
- Open hole
- Bend
- Cut or trim with care

Please use **ABS Plastic Cement** for assembly.

© Rubicon Models Ltd. 2020. Rubicon Models, the Rubicon Models Logo are trademarks of Rubicon Models Ltd. All rights reserved.

WARNING

- THIS IS NOT A TOY
- INTENDED FOR COLLECTORS OF AGE 14 AND ABOVE
- CONTAINS SMALL PARTS AND POINTED COMPONENTS
- NOT SUITABLE FOR CHILDREN UNDER 6 YEARS OLD
- MODEL MAY VARY FROM IMAGE ON BOX
- READY TO ASSEMBLE PRECISION MODEL KIT

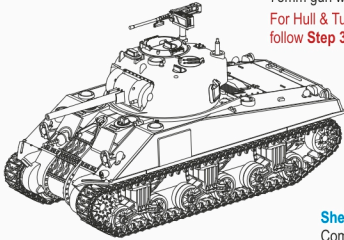


READ THIS FIRST BEFORE ASSEMBLY STARTS...

Please study the instruction thoroughly **before** actual assembly. With this kit, you are able to build **FOUR** main variants of the **M4A4 Sherman**. It is also good practice to *test fit* all parts and study all build options *before* gluing them together. This will save you time and frustrations!

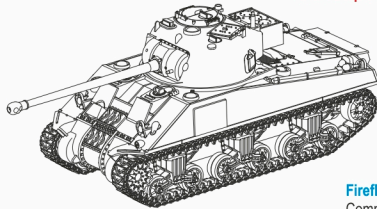
M4A4(75) Sherman

Allies Tank
High bustle turret
75mm gun with M34A1 mantlet
For Hull & Turret Assembly...
follow **Step 3 / 4 / 5 / 6 / 7**



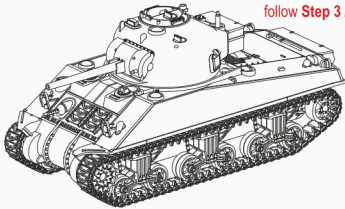
Firefly VC (Variant #1)

Commonwealth Tank
17pdr gun with extra appliqué armour
For Hull & Turret Assembly...
follow **Step 3 / 4 / 11 / 12 / 13 / 14 / 15**



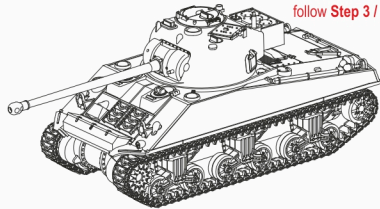
Sherman V

Commonwealth Tank
Low bustle turret
75mm gun with M34A1 mantlet
For Hull & Turret Assembly...
follow **Step 3 / 4 / 8 / 9 / 10**



Firefly VC (Variant #2)

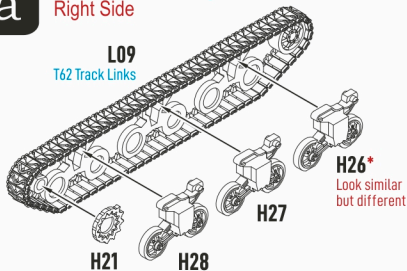
Commonwealth Tank
17pdr gun without appliqué armour,
different accessory arrangements
For Hull & Turret Assembly...
follow **Step 3 / 4 / 11 / 12 / 13 / 16 / 17**



1a

Track Assembly

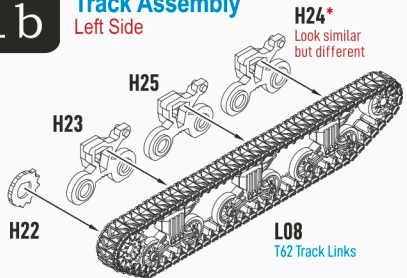
Right Side



1b

Track Assembly

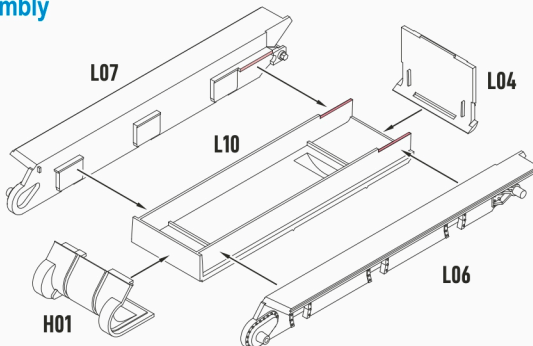
Left Side



2

Chassis Assembly

Lower Hull

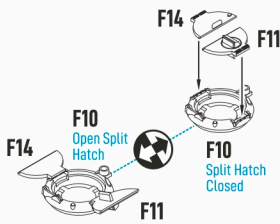
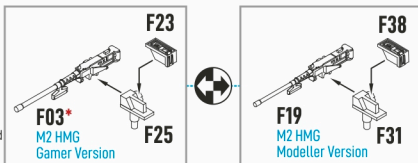


3

HMG, Hatches & Tank Crew

For All Variants

* Gamer version of the M2 HMG has an elongated and thickened gun barrel.



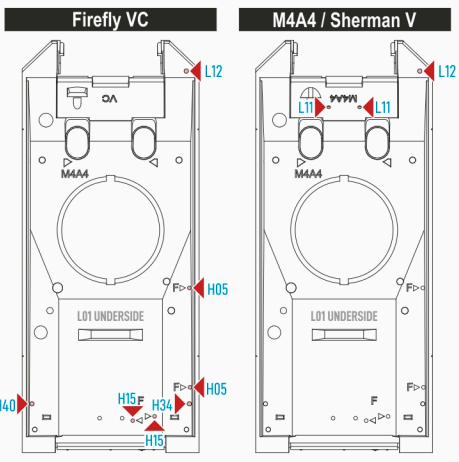
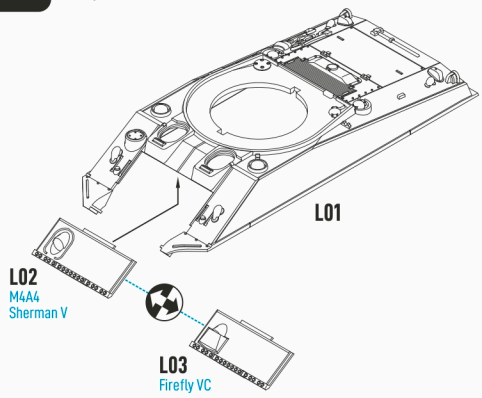
CR07 + CR10*
Commonwealth
Tank Commander

* Optional

4

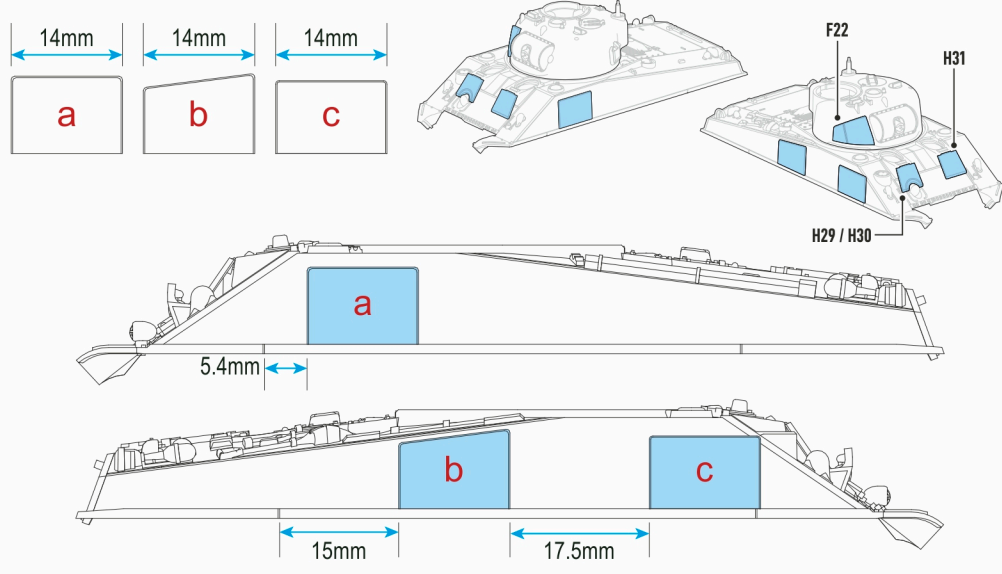
Hole Punching...

Preparation Work for All Variants



Template for Optional Appliqué Armour

For experienced modelers who want some customisation. Use 0.5mm styrene sheet, cut to size using the template provided below to reproduce the extra appliqué armour on the upper hull. Extra armour (F22) on the turret as well as in front of the front crew hatches (H29/H30 & H31) are already provided.

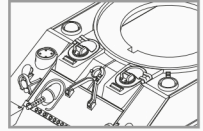
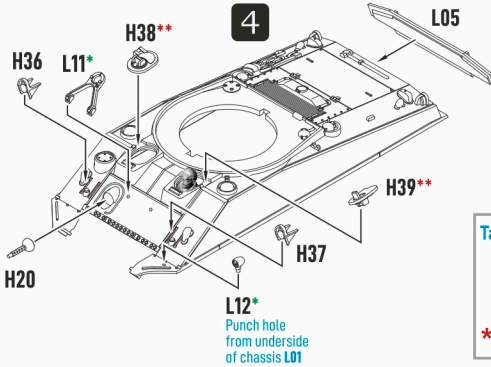


5

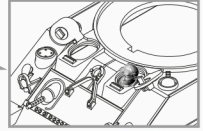
M4A4 Sherman

Small Hatch Hull

For other variants, skip to **Step 8**



** Hull hatches (H38 / H39) in closed position



** Hull hatches (H38 / H39) in open position with crew

Tank Driver & Gunner*



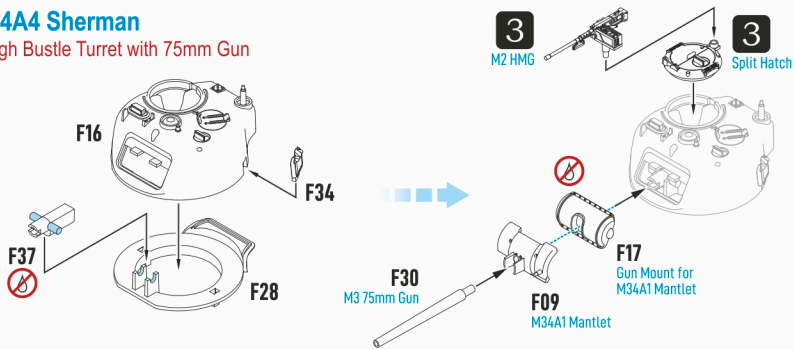
CR09* + CR11*

* CR11 & CR05 has different mounting and is **not** interchangeable!

6

M4A4 Sherman

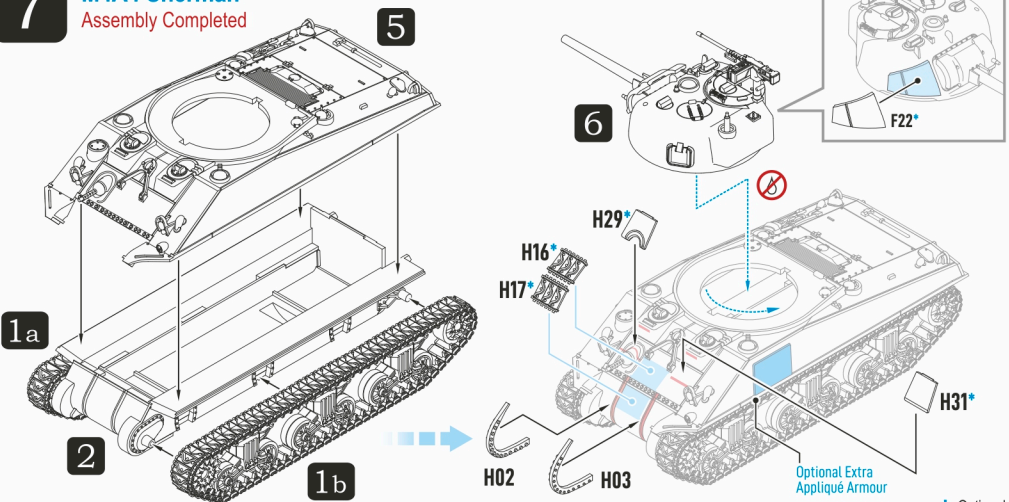
High Bustle Turret with 75mm Gun



7

M4A4 Sherman

Assembly Completed



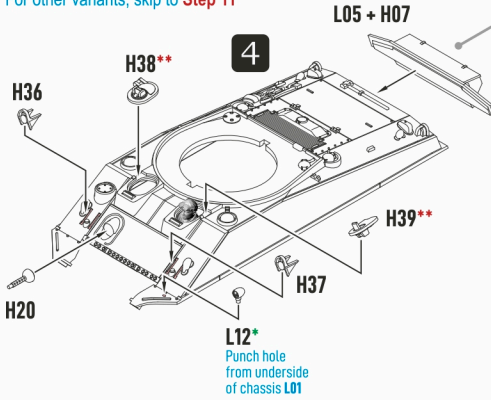
* Optional

8

Sherman V

Small Hatch Hull

For other variants, skip to **Step 11**



Tank Driver & Gunner*



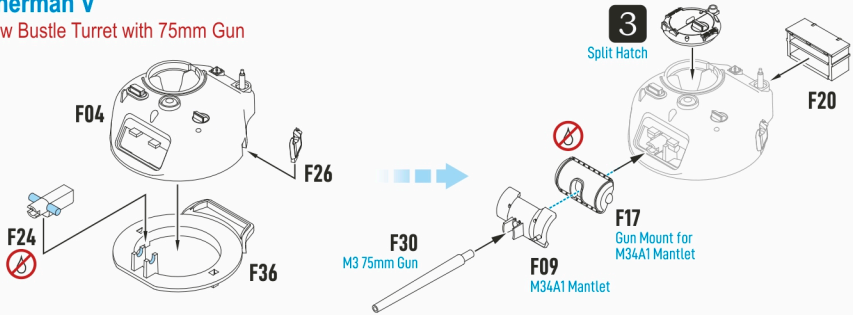
CR09* + CR11*

* CR11 & CR05 has different mounting and is not interchangeable!

9

Sherman V

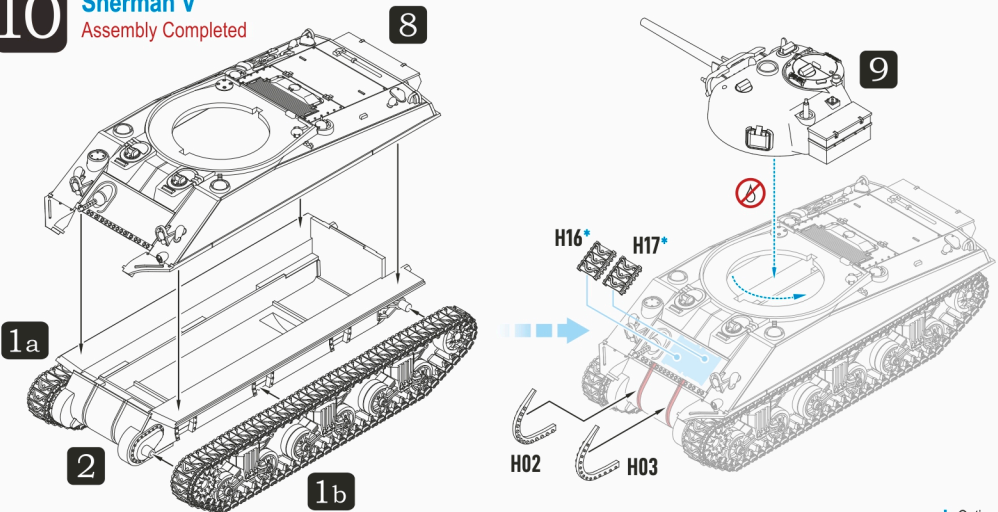
Low Bustle Turret with 75mm Gun



10

Sherman V

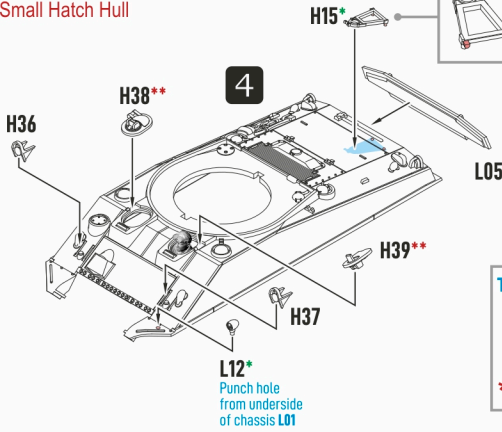
Assembly Completed



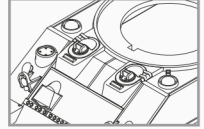
* Optional

11

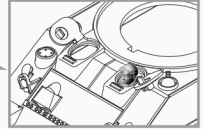
Firefly VC Small Hatch Hull



Trim the highlighted pins off **H15** if the gun barrel travel lock is not in use.



** Hull hatches (**H38 / H39**) in closed position



** Hull hatches (**H38 / H39**) in open position with crew

Tank Driver & Gunner*

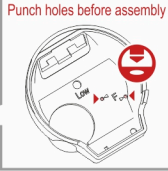
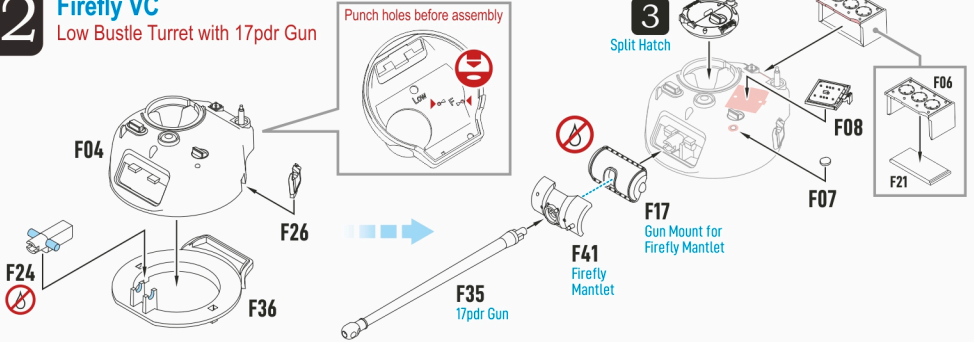


CR09*
+
CR11*

* **CR11** & **CR05** has different mounting and is **not** interchangeable!

12

Firefly VC Low Bustle Turret with 17pdr Gun



3

Split Hatch



F41
Firefly Mantlet

F17
Gun Mount for Firefly Mantlet

F08

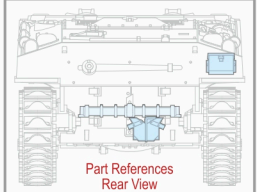
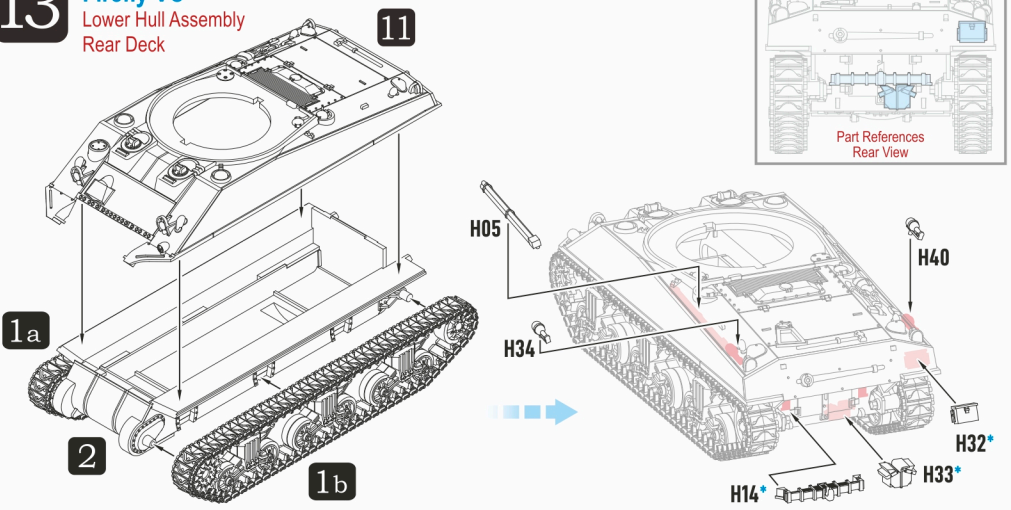
F06

F21

F07

13

Firefly VC Lower Hull Assembly Rear Deck



Part References
Rear View

1a

2

1b

11

H05

H34

H40

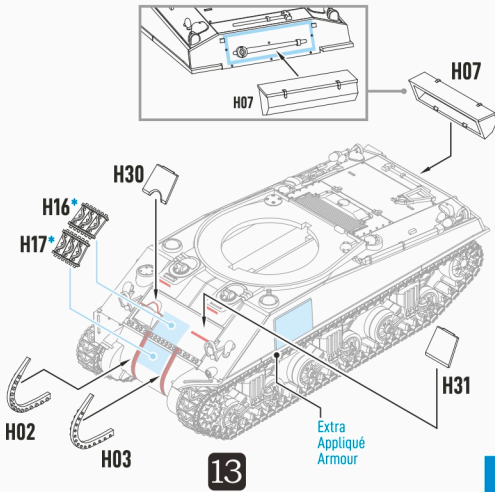
H14*

H33*

H32*

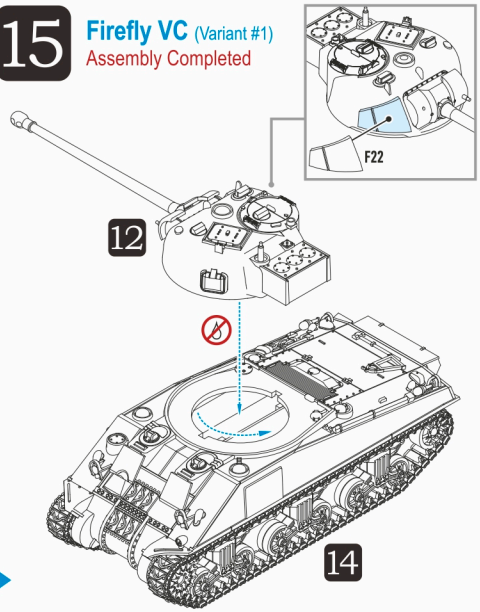
14

Firefly VC (Variant #1) with Extra Appliqué Armour



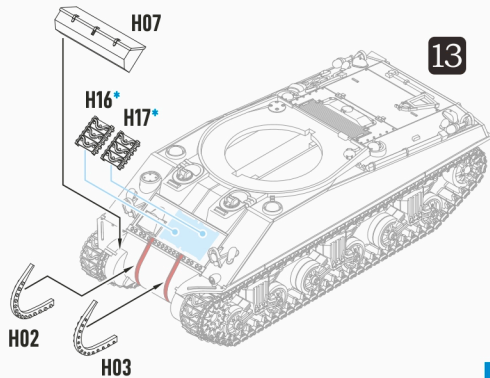
15

Firefly VC (Variant #1) Assembly Completed



16

Firefly VC (Variant #2) without Extra Appliqué Armour



17

Firefly VC (Variant #2) Assembly Completed

