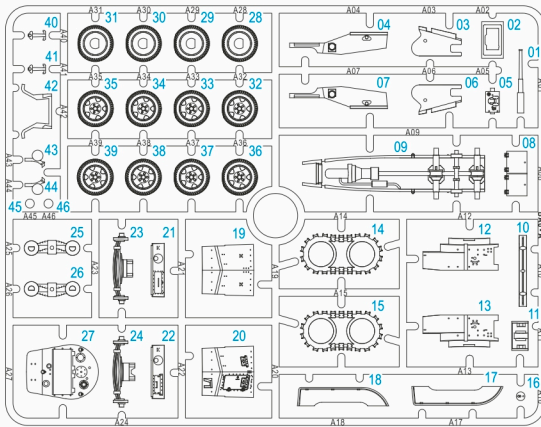
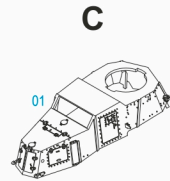




Product Code: **280084**  
 190726-2



**A**



**C**



- When you use glue or paint, do not use near a naked flame, and use in a well-ventilated area.
- When assembling this kit, tools including knives are used. Extra care should be taken to avoid personal injury.
- Keep out of reach of small children.

Read carefully and fully understand the instructions before commencing assembly. Model supplied unpainted. Bases, scenery, glue and paint not included. Meaning of symbols used:



Choices



Optional



No glue



Drill hole



Bend



Cut or trim with care

 Please use **ABS Plastic Cement** for assembly.

## WARNING

- THIS IS NOT A TOY
- INTENDED FOR COLLECTORS OF AGE 14 AND ABOVE
- CONTAINS SMALL PARTS AND POINTED COMPONENTS
- NOT SUITABLE FOR CHILDREN UNDER 6 YEARS OLD
- MODEL MAY VARY FROM IMAGE ON BOX
- READY TO ASSEMBLE PRECISION MODEL KIT

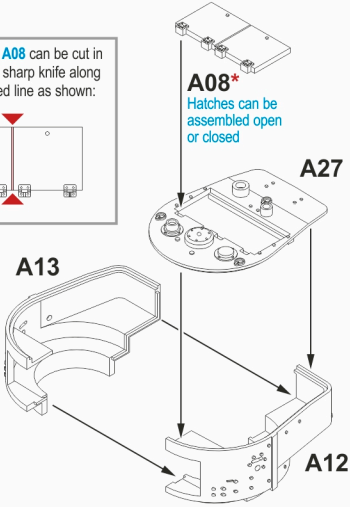
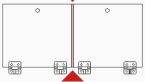


Please study the diagrams carefully **BEFORE** assembly

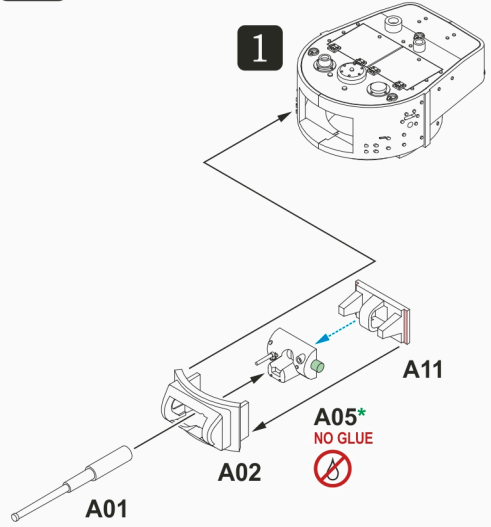
Test fitting all parts before applying glue will save you time and frustrations!

## 1 Turret Assembly

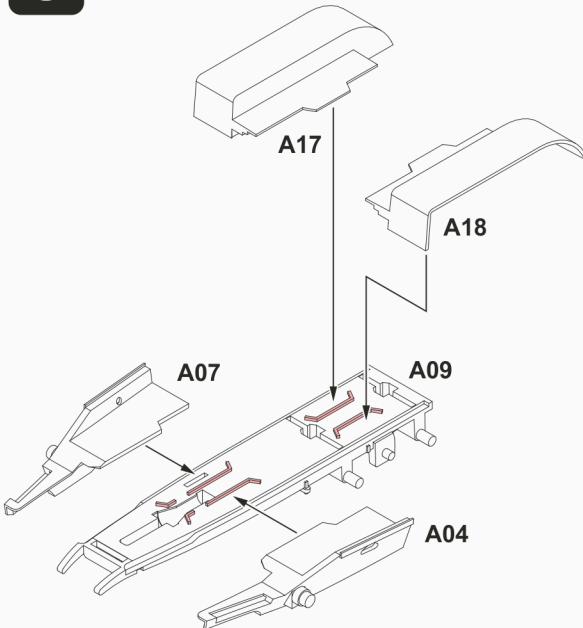
\* Crew hatch **A08** can be cut in half using a sharp knife along the debossed line as shown.



## 2 Turret Assembly

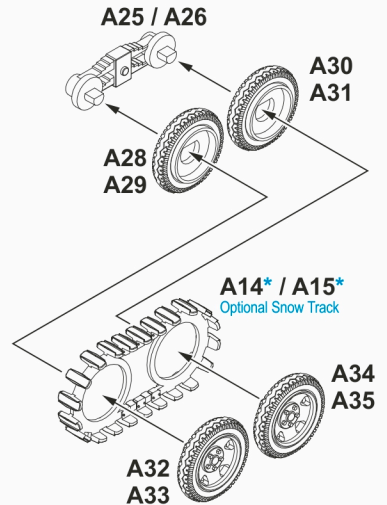


## 3 Lower Chassis Assembly



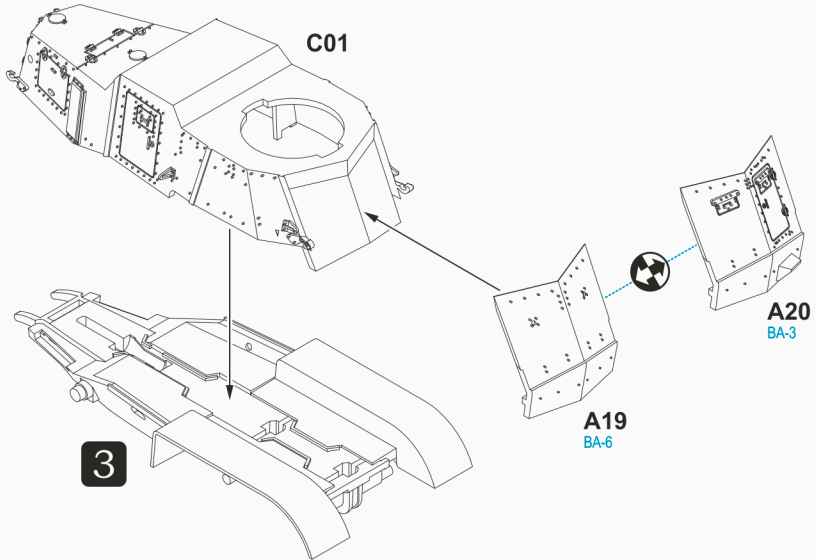
## 4 Rear Wheel Assembly

Make 2 sets

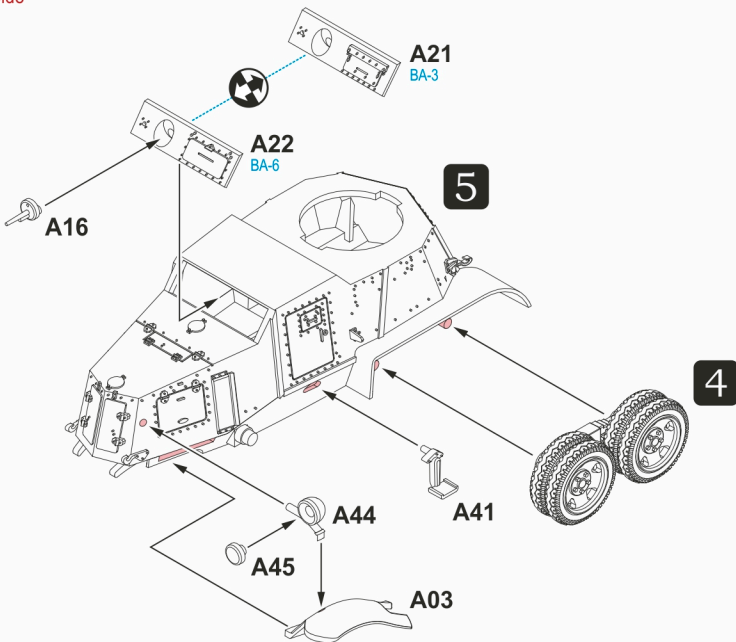


**5****Upper Chassis Assembly**

Rear Chassis

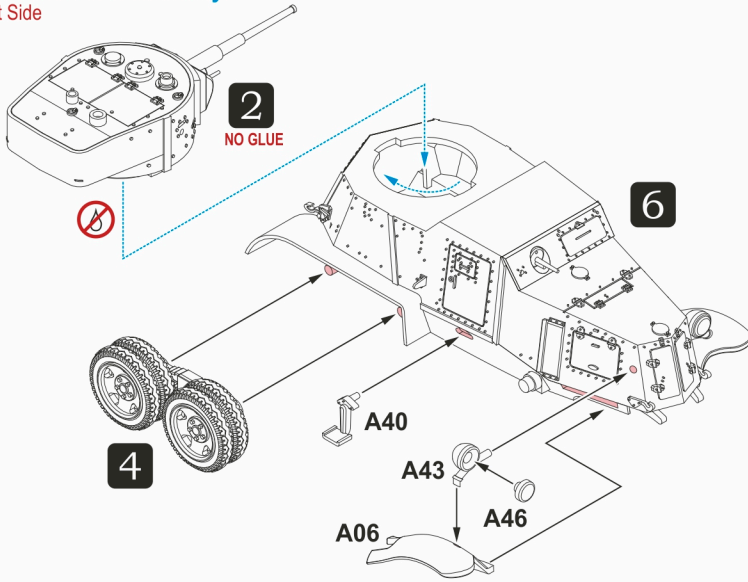
**6****Upper Chassis Assembly**

Left Side



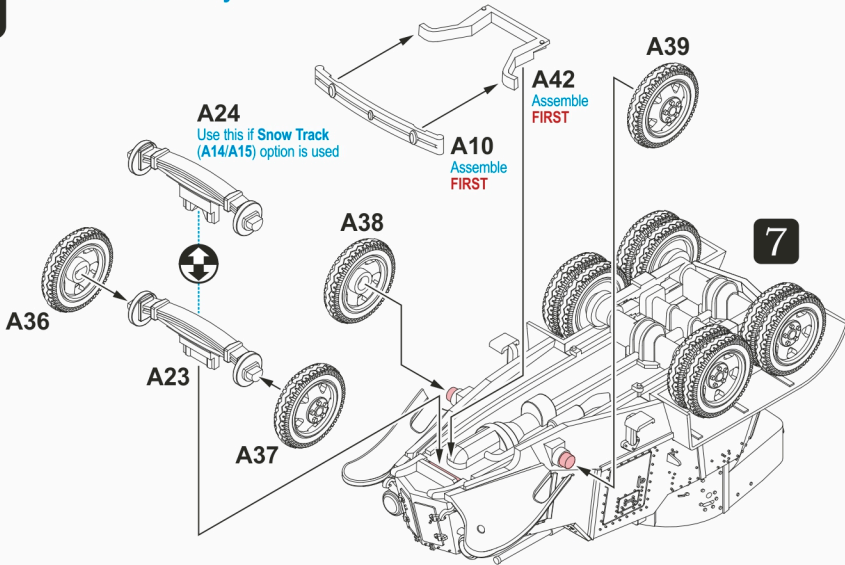
# 7

## Upper Chassis Assembly Right Side



# 8

## Underside Assembly



 **ASIA PACIFIC**  **UNITED KINGDOM**  **UNITED STATES**

[www.rubiconmodelsasia.com](http://www.rubiconmodelsasia.com)

[www.rubiconmodels.co.uk](http://www.rubiconmodels.co.uk)

[www.rubiconmodelsusa.com](http://www.rubiconmodelsusa.com)



Please also visit our official Facebook page at <https://www.facebook.com/rubiconmodels>



Follow our Facebook page to show your support!