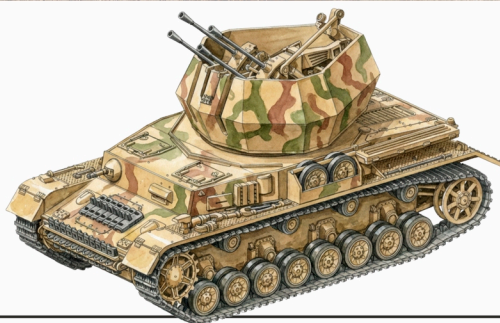



 Product Code: 280079
210910-2

 Flakpanzer IV
"Wirbelwind"


READ THIS FIRST BEFORE ASSEMBLY STARTS...

Please study the instruction thoroughly **before** actual assembly. This kit enables you to build a **Flakpanzer IV "Wirbelwind"** self-propelled anti-aircraft gun. It is good practice to **test fit** all parts and study all build options **before** gluing them together. This will save you time and frustrations!

A sprue layout guide is located at the back of this instruction sheet. Some (optional) parts require drilling holes in the parts they are being placed. To ensure best fitting, please use drill bit of 1.3mm (0.05") in diameter.



- When you use glue or paint, do not use near a naked flame, and use in a well-ventilated area.
- When assembling this kit, tools including knives are used. Extra care should be taken to avoid personal injury.
- Keep out of reach of small children.

Read carefully and fully understand the instructions before commencing assembly. Model supplied unpainted. Bases, scenery, glue and paint not included. Legend used:



Choices



Optional



No glue



Drill hole



Bend


 Cut or trim
with care

NOTE: Please use **ABS Plastic Cement** for our products.

WARNING

- THIS IS NOT A TOY
- INTENDED FOR COLLECTORS OF AGE 14 AND ABOVE
- CONTAINS SMALL PARTS AND POINTED COMPONENTS
- NOT SUITABLE FOR CHILDREN UNDER 6 YEARS OLD
- MODEL MAY VARY FROM IMAGE ON BOX
- READY TO ASSEMBLE PRECISION MODEL KIT



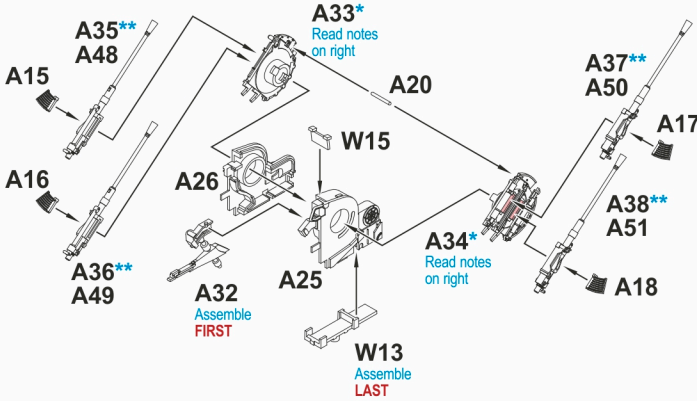
About SPRUE LABELLING with this kit...

Please take note this is an **upgrade kit** to convert a **Panzer IV Ausf G/H** into a **Flakpanzer IV "Wirbelwind"** using two kits (**Panzer IV Ausf F/F2/G/H** and **2cm Flakvierling 38**) plus a Wirbelwind turret sprue. You will notice there are two sprues (from the two kits) with the a common label **"A"**. To avoid confusion during assembly, the **"A"** sprue from the Panzer IV kit will be coloured **"GREEN"**, and all remaining labels will remain in **"BLACK"**. Thank you for your attention!

1

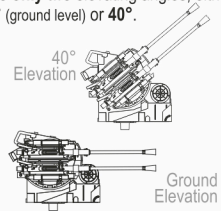
2cm Flakvierling 38

Basic Assembly



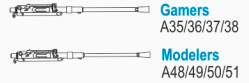
Gun Elevation *

Due to the scale of this model, there are **only** two elevating angles, either **0°** (ground level) or **40°**.



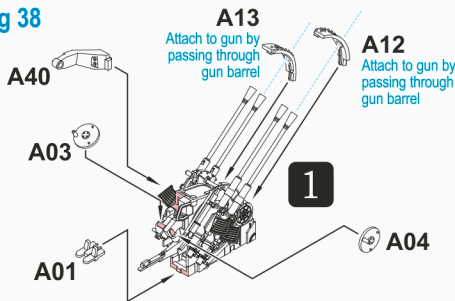
Gun Barrels **

Choice of two barrels with different diameters for gamers & modelers:



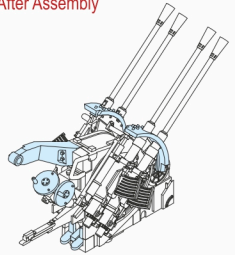
2

2cm Flakvierling 38

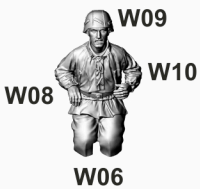


Build References

After Assembly

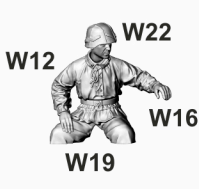


3a



Gunner

3b



Loader

3c



Loader

3d

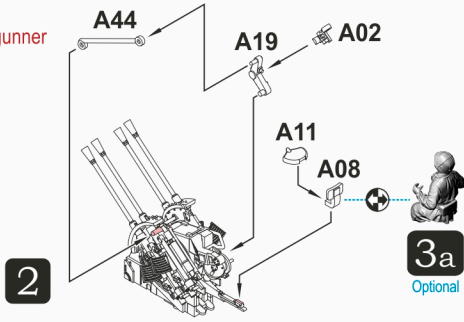


Officer

4

2cm Flakvierling 38

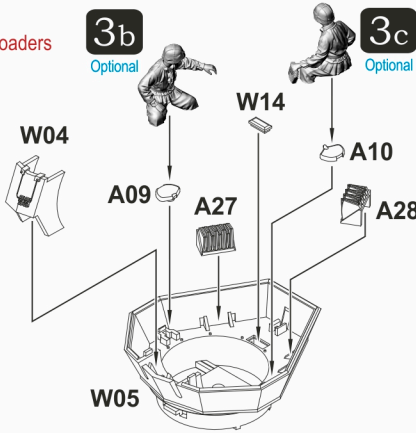
Final Assembly with optional gunner



5

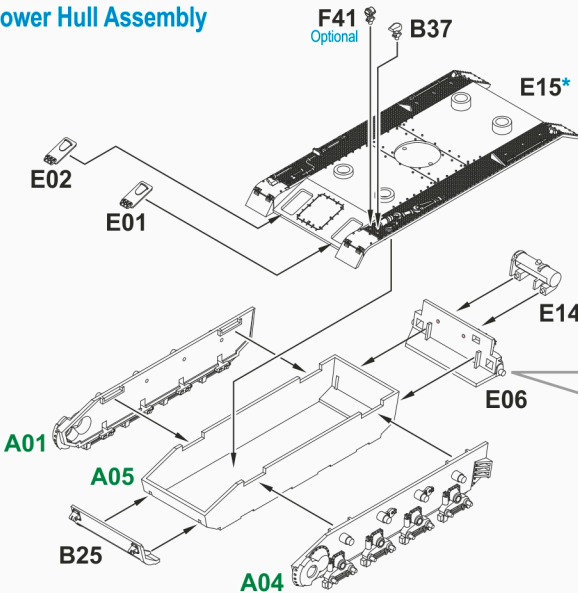
Turret Assembly

Initial Setup with optional loaders



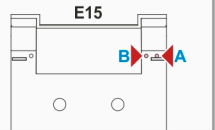
6

Lower Hull Assembly

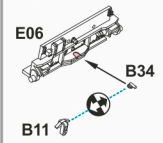


DO THIS FIRST *

Drill hole(s) from the underside of **E15** before assembly. Hole **B** is for the optional headlight **F41**.

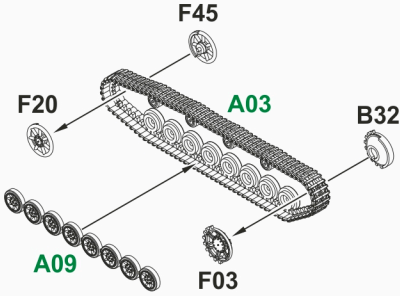


Assemble **B11** or **B34** to **E06** first.



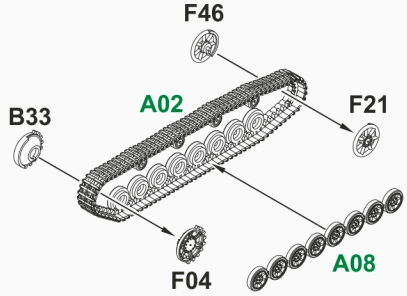
7a

Roadwheels & Track Right Side



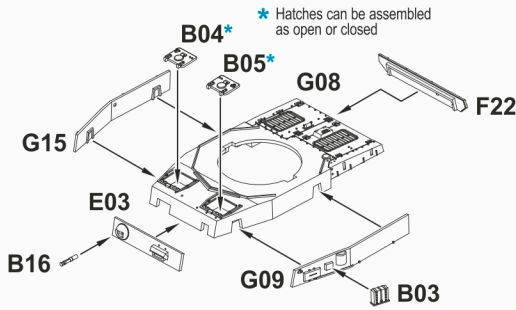
7b

Roadwheels & Track Left Side



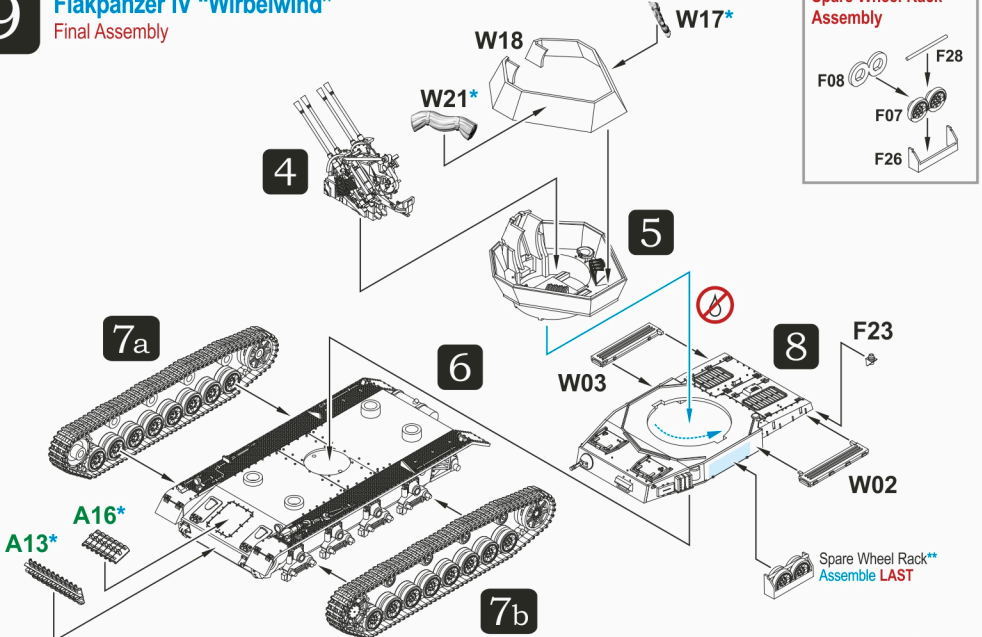
8

Hull Assembly

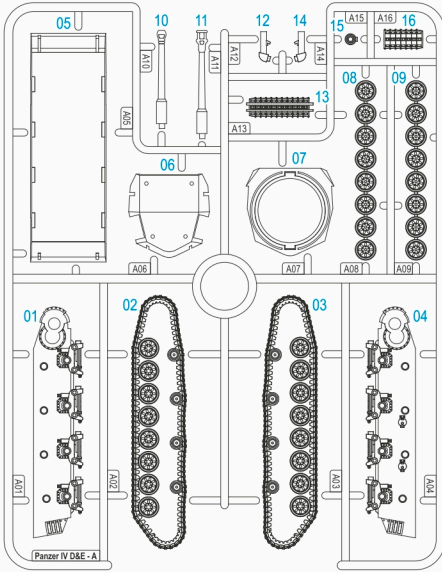
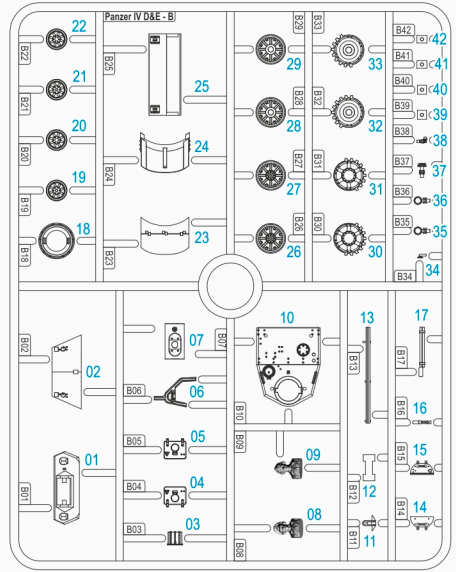
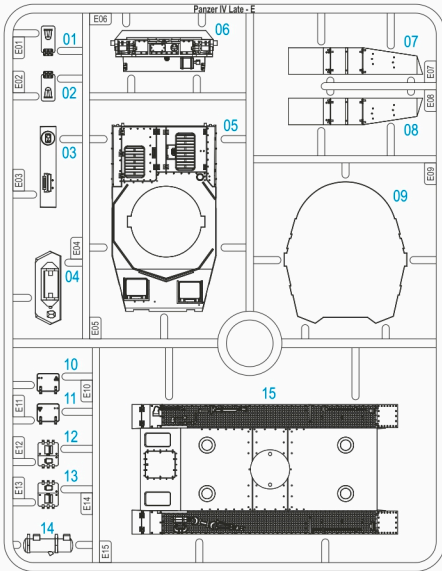
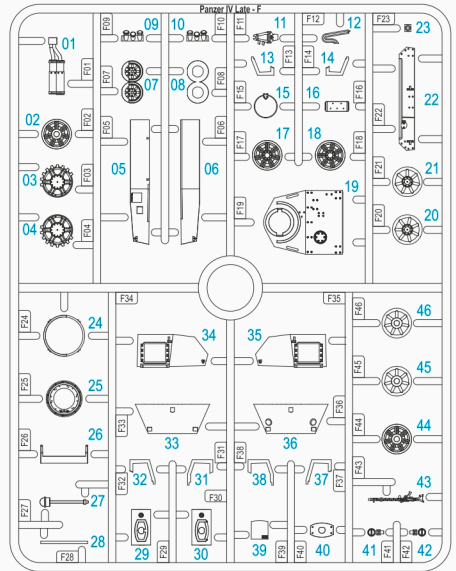


9

Flakpanzer IV "Wirbelwind" Final Assembly



* Optional

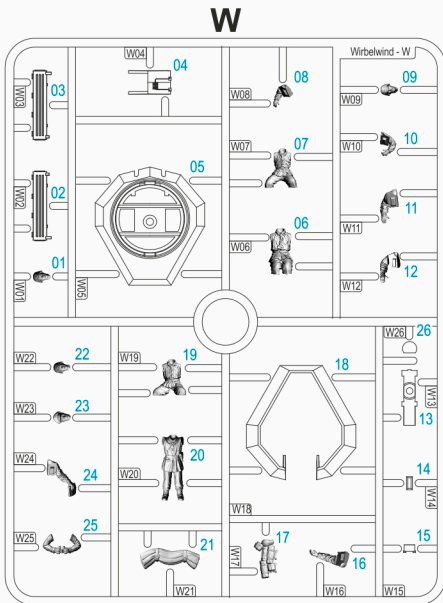
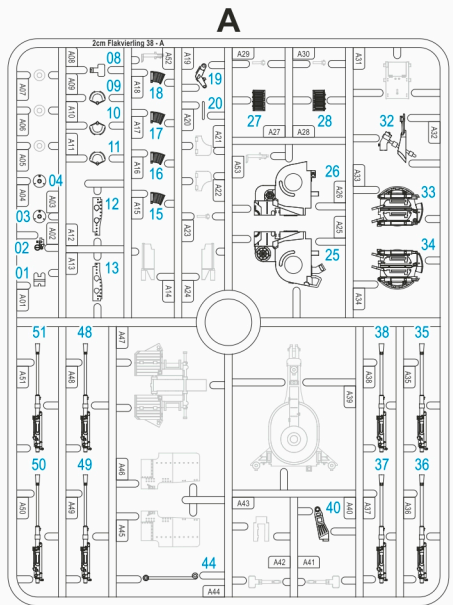
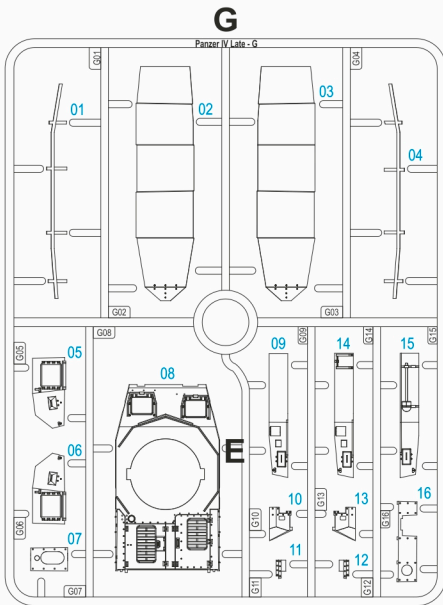
A**B****E****F**

Rubicon Models has other related products based on the Panzer IV medium tank:

- 280076 Panzer IV Ausf D/E
- 280077 Panzer IV Ausf F/F2/G/H
- 280078 Panzer IV Ausf J
- 280079 Flakpanzer IV "Wirbelwind" with crew

Additional add-on "enhancement" products, such as, high detail resin tracks (normal & with cleats), an assortment of storage items, and an 88mm Flak 36 auf PzKpfw IV Ausf H. Please visit our **Regional Webstores** and our **Facebook** page at www.facebook.com/rubiconmodels for more information.





BACKGROUND HISTORY OF THE WIRBELWIND

The **Flakpanzer IV "Wirbelwind"** (Whirlwind in English) was a German self-propelled anti-aircraft gun based on the Panzer IV tank. It was developed in 1944 as a successor to the earlier **Möbelwagen** self-propelled anti-aircraft gun.

In the first years of World War II, the German military forces had less interest in developing self-propelled anti-aircraft guns, but as the Allies began to gain air superiority, the need for more mobile and better-armed self-propelled anti-aircraft guns increased.

The **Panzer IV's** turret was removed and replaced with an open-top, nine-sided turret that housed a quad-barrel **2cm Flakvierling 38**. A closed-top design would have been preferable, but this was not possible due to the heavy smoke generated by the four anti-aircraft guns. The shape of the turret earned it the nickname **Keksdose** ("Biscuit Tin"). However, in combat the 2cm shells were felt to be insufficiently effective against aircraft, and so a more powerful successor was produced which eventually replaced it. Known as the **Flakpanzer IV Ostwind** (East Wind), the successor was equipped with a single **3.7cm Flak 43**. Between **87** and **105** Wirbelwinds were converted from repaired Panzer IV chassis.

For more product info, please visit our [Regional Webstores](#):



www.rubiconmodelsasia.com




www.rubiconmodels.co.uk



www.rubiconmodelsusa.com

 Please also visit our official Facebook page at <https://www.facebook.com/rubiconmodels>

 Follow our Facebook page to show your support!