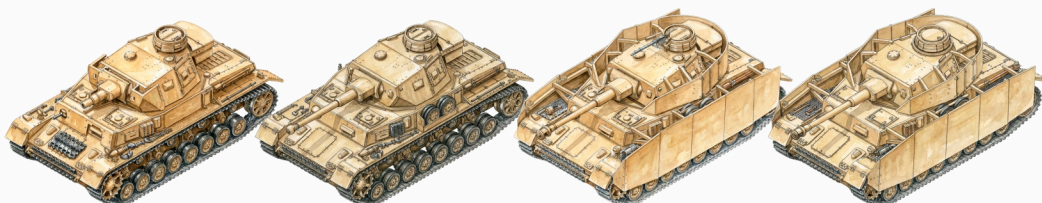




Product Code: 280077

241003-2



Panzer IV Ausf F

Panzer IV Ausf F2

Panzer IV Ausf G

Panzer IV Ausf H



READ THIS FIRST BEFORE ASSEMBLY STARTS...

Please study the instruction thoroughly **before** actual assembly. This kit enables you to build either a **Panzer IV Ausf F** or **F2** or **G** or **H** medium tank. It is good practice to **test fit** all parts and study all build options *before* gluing them together. This will save you time and frustrations!

A sprue layout guide is located at the back of this instruction sheet. Some (optional) parts require drilling holes in the parts they are being placed. To ensure best fitting, please use drill bit of 1.3mm (0.05") in diameter.



- When you use glue or paint, do not use near a naked flame, and use in a well-ventilated area.
- When assembling this kit, tools including knives are used. Extra care should be taken to avoid personal injury.
- Keep out of reach of small children.

Read carefully and fully understand the instructions before commencing assembly. Model supplied unpainted. Bases, scenery, glue and paint not included. Legend used:



Choices



Optional



No glue



Drill hole



Bend

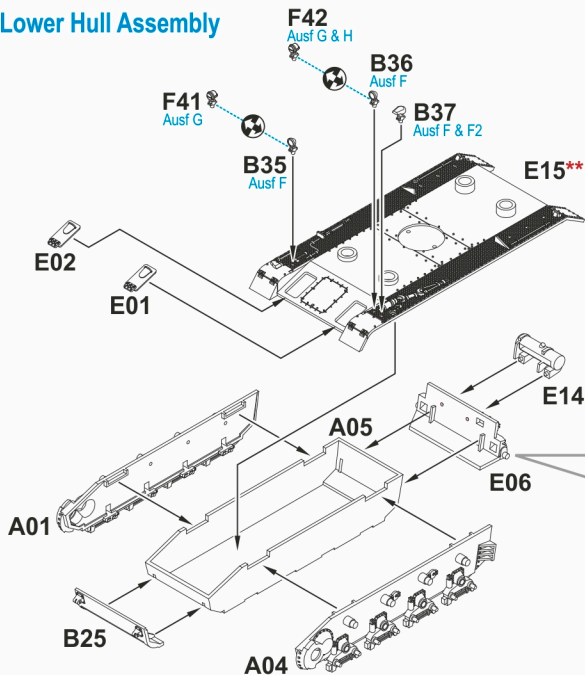


Cut or trim
with care

NOTE: Please use **ABS Plastic Cement** for our products.

WARNING

- THIS IS NOT A TOY
- INTENDED FOR COLLECTORS OF AGE 14 AND ABOVE
- CONTAINS SMALL PARTS AND POINTED COMPONENTS
- NOT SUITABLE FOR CHILDREN UNDER 6 YEARS OLD
- MODEL MAY VARY FROM IMAGE ON BOX
- READY TO ASSEMBLE PRECISION MODEL KIT

1**Lower Hull Assembly****DO THIS FIRST ****

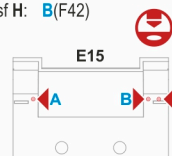
Drill required hole(s) from the underside of E15 based on the variant feature below:

Ausf F: **A**(B35), **B**(B36), **C**(B37)

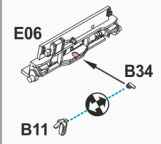
Ausf F2: **C**(B37)

Ausf G: **A**(F41), **B**(F42)

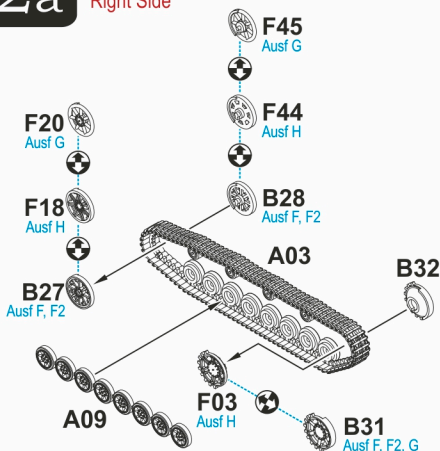
Ausf H: **B**(F42)



Assemble **B11** or **B34** to **E06** first.

**2a****Roadwheels & Track**

Right Side



Please make sure the **idler wheels** (right side) for each variant are in matching pair as follow:

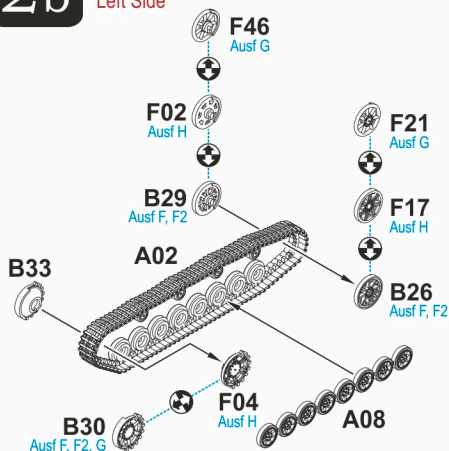
Ausf F, F2 **B27 & B28**

Ausf G **F20 & F45**

Ausf H **F18 & F44**

2b**Roadwheels & Track**

Left Side



Please make sure the **idler wheels** (left side) for each variant are in matching pair as follow:

Ausf F, F2 **B26 & B29**

Ausf G **F21 & F46**

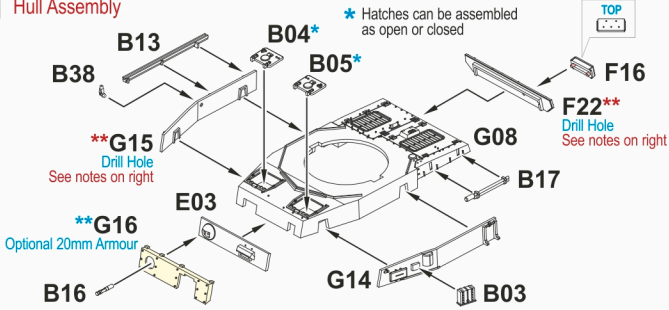
Ausf H **F17 & F02**

Proceed to step **3a**, **4a**, **5a** or **6a** for building Ausf **F**, **F2**, **G** or **H** respectively

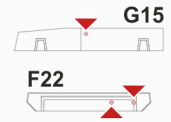
3a

Panzer IV Ausf F Only

Hull Assembly



** Drill holes for these parts



Extra Appliqué Armor **

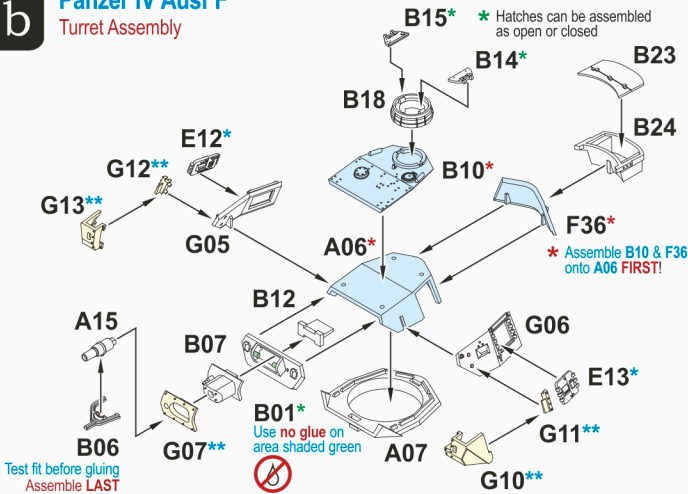
Some Ausf F were fitted with an extra set of 20mm appliqué armour on the front hull and turret.

The extra armour is included with this kit as optional part **G07, G10, G11, G12, G13 & G16**. Study the instruction carefully before assembly.

3b

Panzer IV Ausf F

Turret Assembly



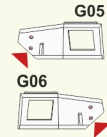
Turret Side Hatches *

Side hatches **E12 & E13** can be assembled as opened by cutting the part(s) along the debossed line from the underside of the hatches as shown:



Extra Appliqué Armor **

To add the extra appliqué armour option, you must drill two holes from the underside of **G05** and **G06** before gluing them onto **A06** as shown:

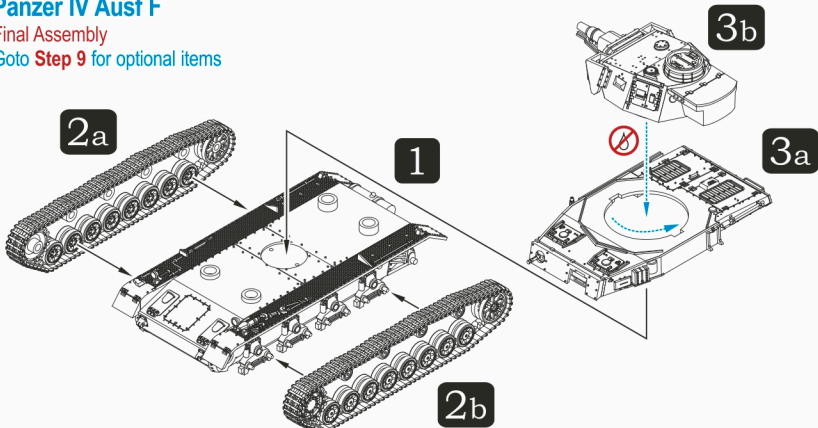


3c

Panzer IV Ausf F

Final Assembly

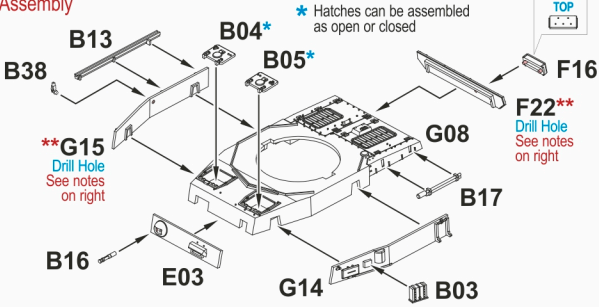
Goto Step 9 for optional items



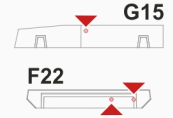
4a

Panzer IV Ausf F2 Only

Hull Assembly



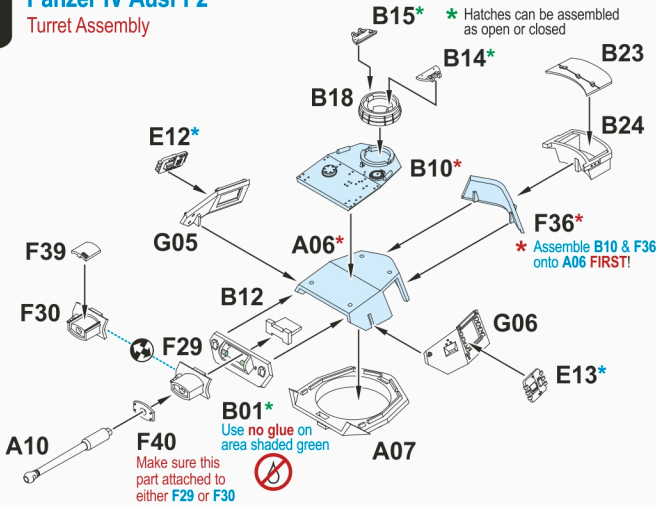
** Drill holes for these parts



4b

Panzer IV Ausf F2

Turret Assembly



Turret Side Hatches *

Side hatches E12 & E13 can be assembled as opened by cutting the part(s) along the debossed line from the underside of the hatches as shown:

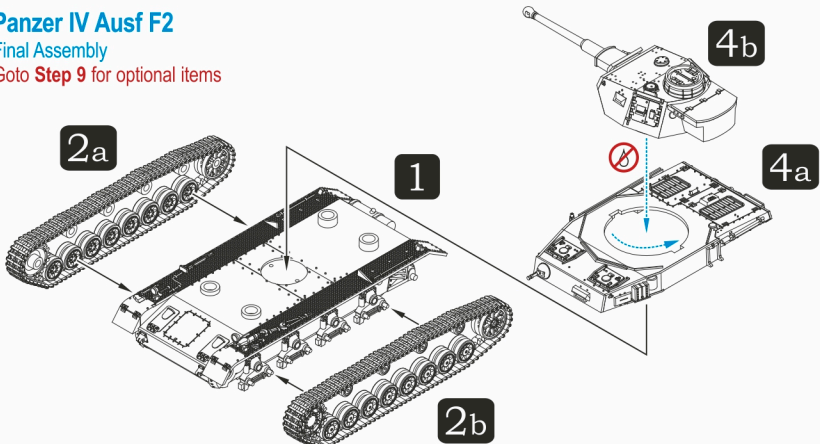


4c

Panzer IV Ausf F2

Final Assembly

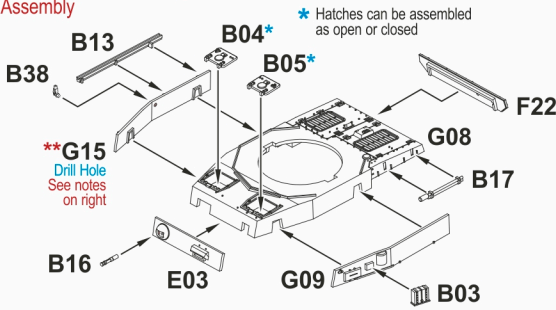
Goto Step 9 for optional items



5a

Panzer IV Ausf G Only

Hull Assembly



**G15
Drill Hole
See notes
on right

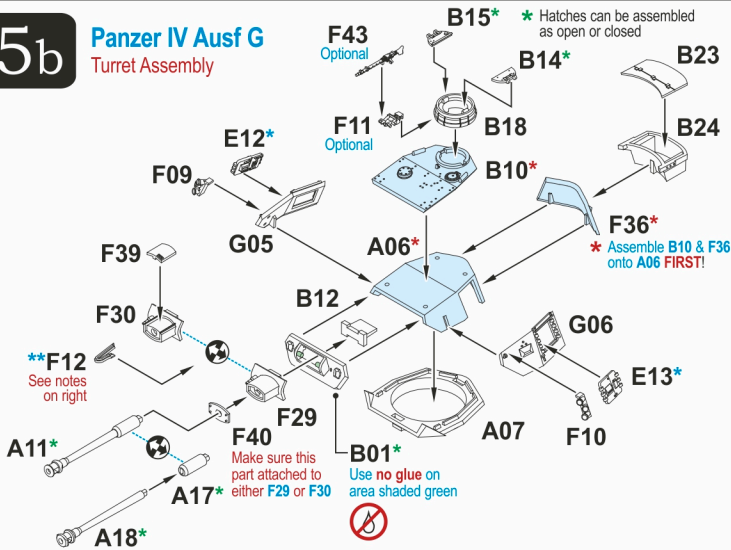
** Drill hole for G15 first



5b

Panzer IV Ausf G

Turret Assembly

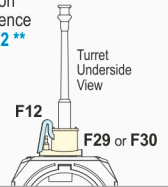


Turret Side Hatches *

Side hatches E12 & E13 can be assembled as opened by cutting the part(s) along the debossed line from the underside of the hatches as shown:



Position Reference for F12 **



Gun Barrels *

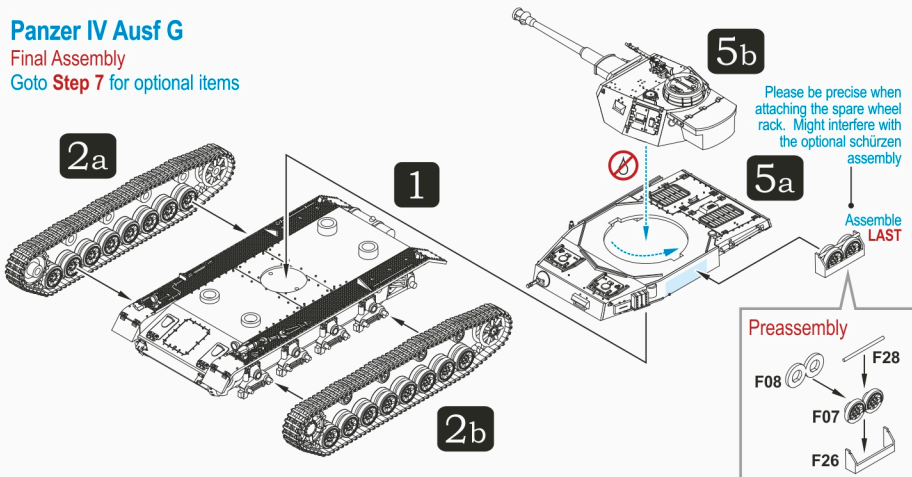
A11 = 7.5cm KwK 40 L/43
A17+A18 = 7.5cm KwL 40 L/48
A small number of Ausf G were equipped with the L/48 gun.

5c

Panzer IV Ausf G

Final Assembly

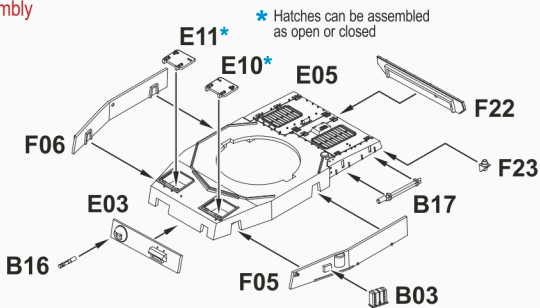
Goto Step 7 for optional items



6a

Panzer IV Ausf H Only

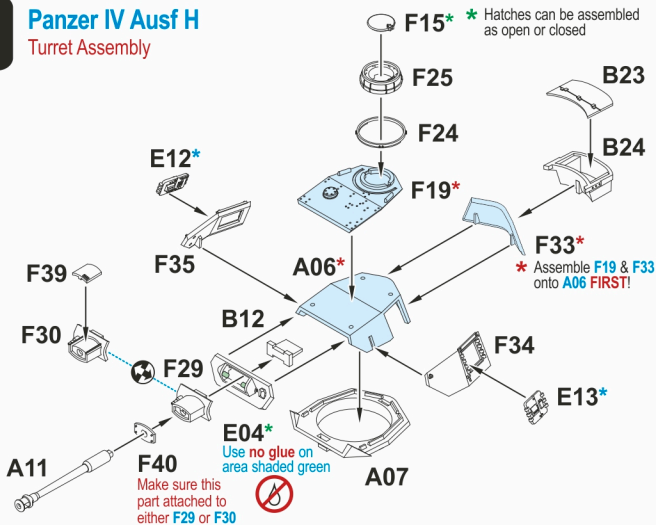
Hull Assembly



6b

Panzer IV Ausf H

Turret Assembly



Turret Side Hatches *

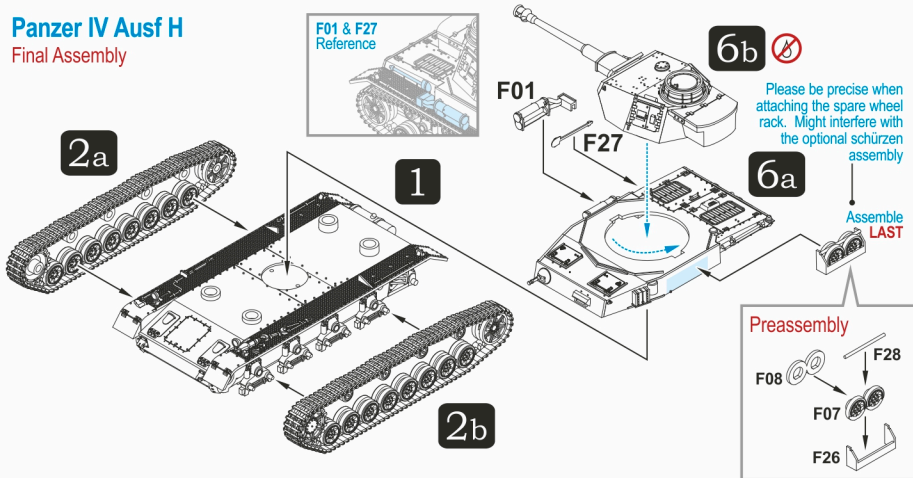
Side hatches E12 & E13 can be assembled as opened by cutting the part(s) along the debossed line from the underside of the hatches as shown:



6c

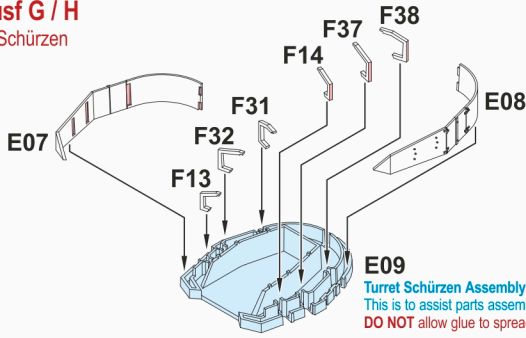
Panzer IV Ausf H

Final Assembly

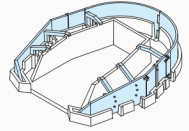


7

Panzer IV Ausf G / H Optional Turret Schürzen



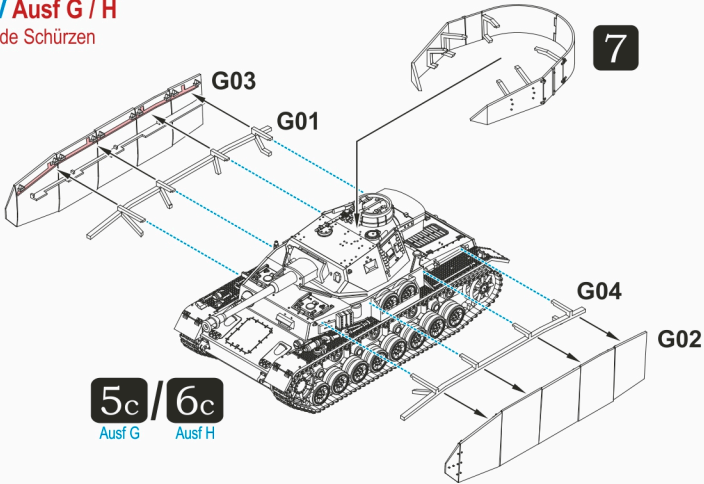
Position Reference
After Assembly



E09
Turret Schürzen Assembly Jig
This is to assist parts assembly, dry fit before applying glue
DO NOT allow glue to spread onto **E09**

8

Panzer IV Ausf G / H Optional Side Schürzen



5c / 6c
Ausf G Ausf H

9

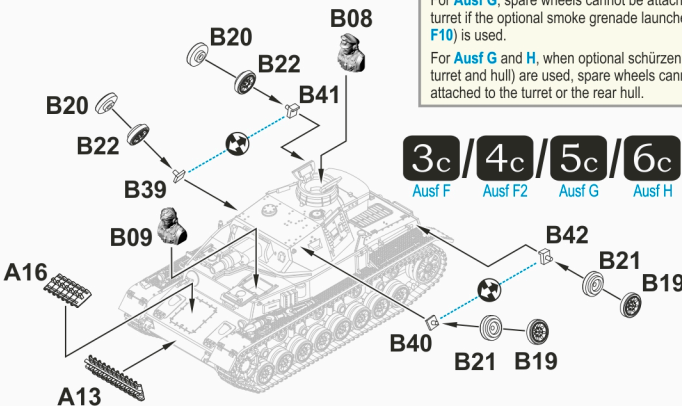
Panzer IV Ausf F / F2 / G / H Optional Crew, Spare Road Wheels & Tracks

Assembly Notes on Spare Wheels

When building **Ausf F** with extra armour, spare wheels cannot be attached on the turret. They can only be placed onto the rear hull.

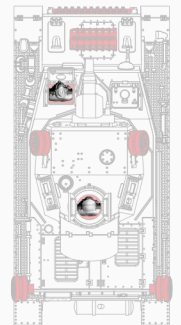
For **Ausf G**, spare wheels cannot be attached to the turret if the optional smoke grenade launcher (**F09 / F10**) is used.

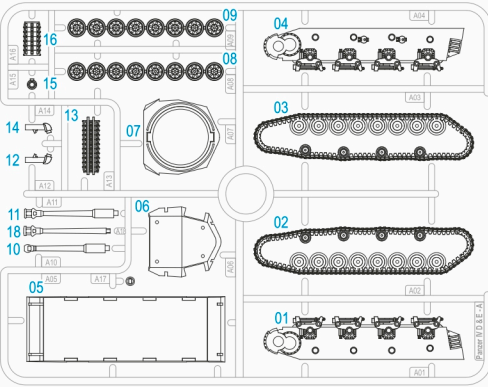
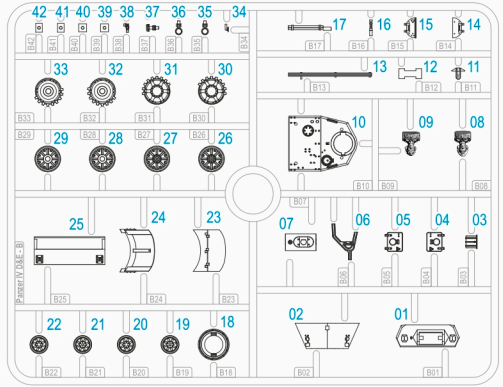
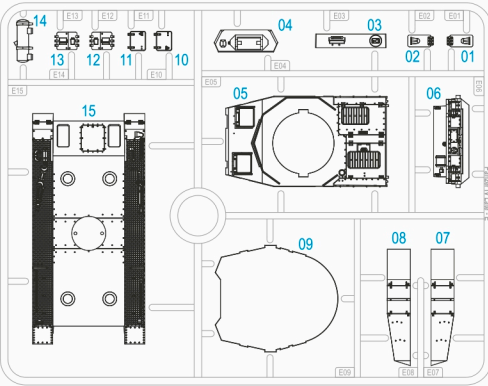
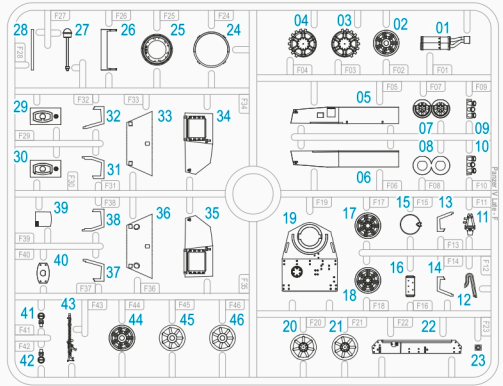
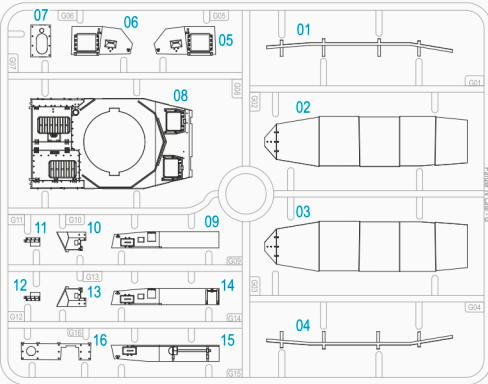
For **Ausf G** and **H**, when optional schürzen (both turret and hull) are used, spare wheels cannot be attached to the turret or the rear hull.



3c / 4c / 5c / 6c
Ausf F Ausf F2 Ausf G Ausf H

Position Reference



A**B****E****F****G**

Rubicon Models has other related products based on the Panzer IV medium tank.

- 280076 Panzer IV Ausf D/E
- 280077 Panzer IV Ausf F/F2/G/H
- 280078 Panzer IV Ausf J
- 280079 Flakpanzer IV "Wirbelwind" with crew

Additional add-on "enhancement" products include highly detailed resin tracks (normal & with cleats), an assortment of stowage items, plus an 88mm FlaK 36 auf PzKpfw IV Ausf H.



If you like this **Panzer IV** medium tank, you might also want to take a look at our other German vehicles, ranging from tanks, trucks, light vehicles, to motorcycles. Please check out our **Regional Webstores** for more products.



www.rubiconmodelsasia.com



www.rubiconmodels.co.uk



www.rubiconmodelsusa.com