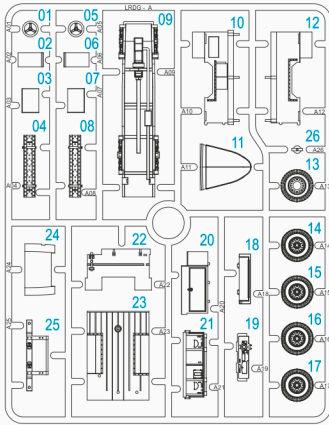
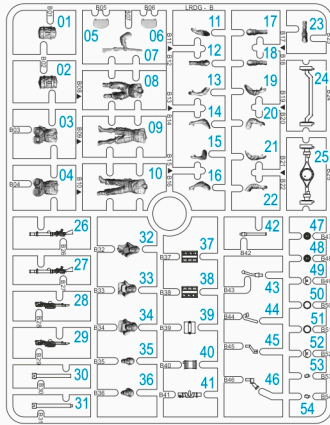




Product Code: 280075
230302-2



A



B



C



- When you use glue or paint, do not use near a naked flame, and use in a well-ventilated area.
- When assembling this kit, tools including knives are used. Extra care should be taken to avoid personal injury.
- Keep out of reach of small children.

Read carefully and fully understand the instructions before commencing assembly. Model supplied unpainted. Bases, scenery, glue and paint not included. Meaning of symbols used:



Choices



Optional



No glue



Drill hole



Bend

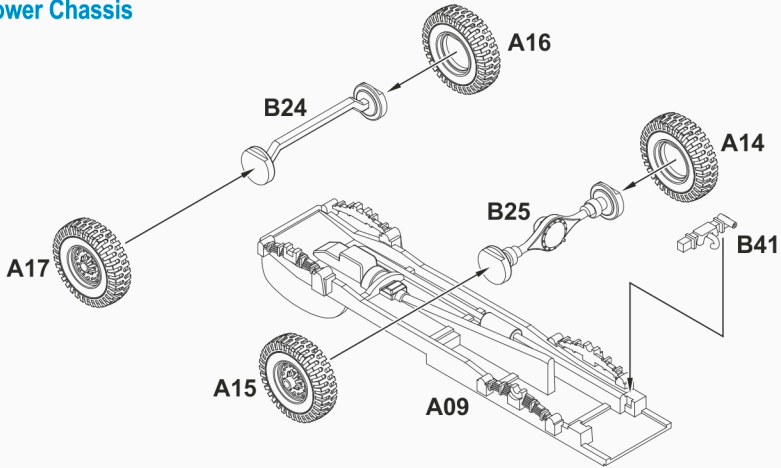
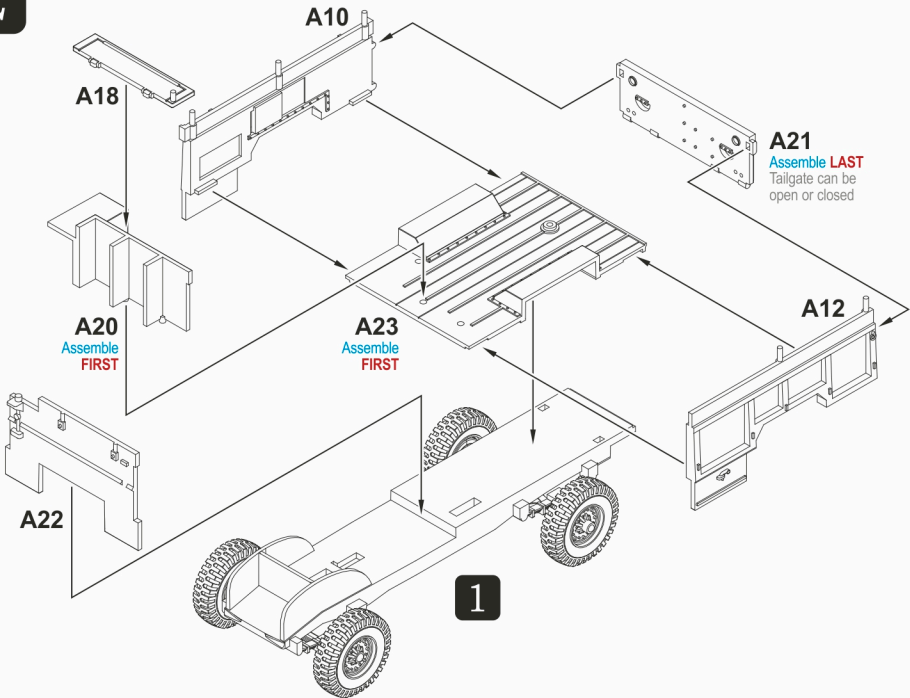


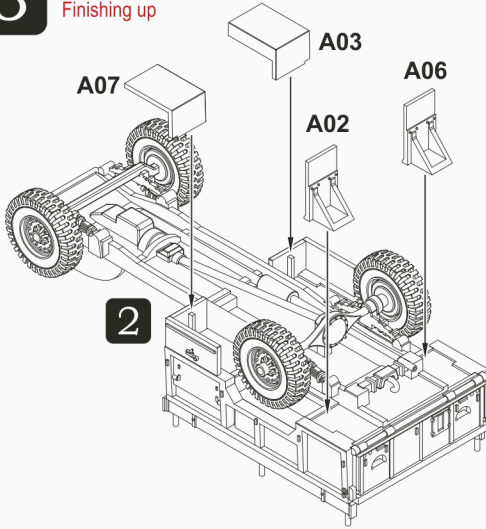
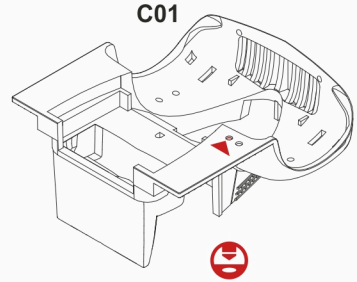
Cut or trim with care

Please use **ABS Plastic Cement** for assembly.

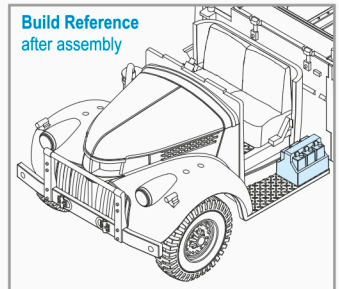
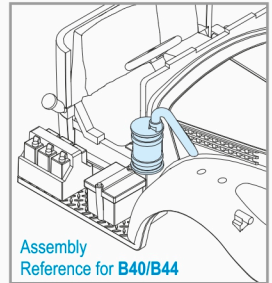
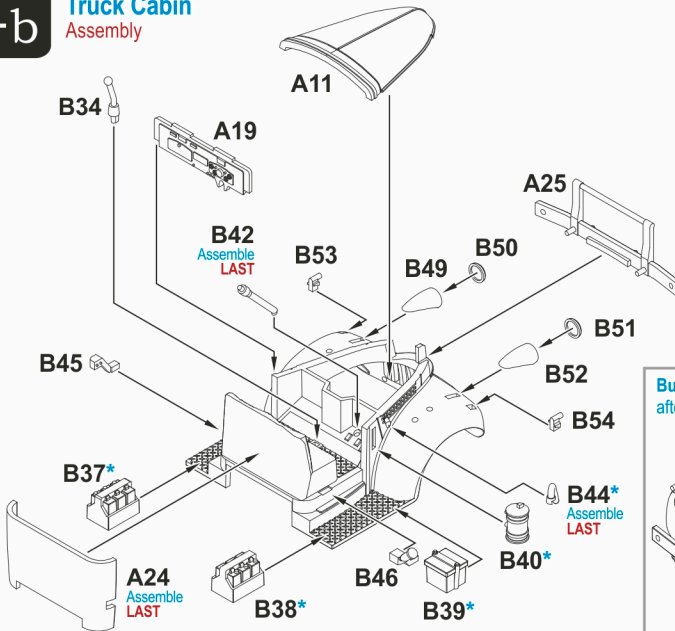
WARNING

- THIS IS NOT A TOY
- INTENDED FOR COLLECTORS OF AGE 14 AND ABOVE
- CONTAINS SMALL PARTS AND POINTED COMPONENTS
- NOT SUITABLE FOR CHILDREN UNDER 6 YEARS OLD
- MODEL MAY VARY FROM IMAGE ON BOX
- READY TO ASSEMBLE PRECISION MODEL KIT

1**Lower Chassis****2****Rear Trunk**

3**Lower Chassis**
Finishing up**4a****Truck Cabin**
Preparation work

Drill hole if the pedestal mount pole **B30/B31** is to be used. See **Step 5** for details.

4b**Truck Cabin**
Assembly

* Optional

About Optional Items

Even though some items are optional, most were presented on the real vehicle; feel free to use them liberally. However, two optional items require special attention:

- 1) **Water Condenser (B40/B44)** - Although listed as optional, almost all LRDG versions had this installed.
- 2) **Water/Fuel Containers (B37)** - Do **NOT** use the part **IF** you decided to add a **figure** to the "side steps" to man a machine gun. Please refer to **Step 7** reference diagram for details.

5

Pedestal Mount MGs

Lewis or Bren Gun?

Bren gun
with 100-round
drum magazine

B28
B29



B30
B31

B47
B48

Lewis Gun

B26
B27



6

Spare Wheel



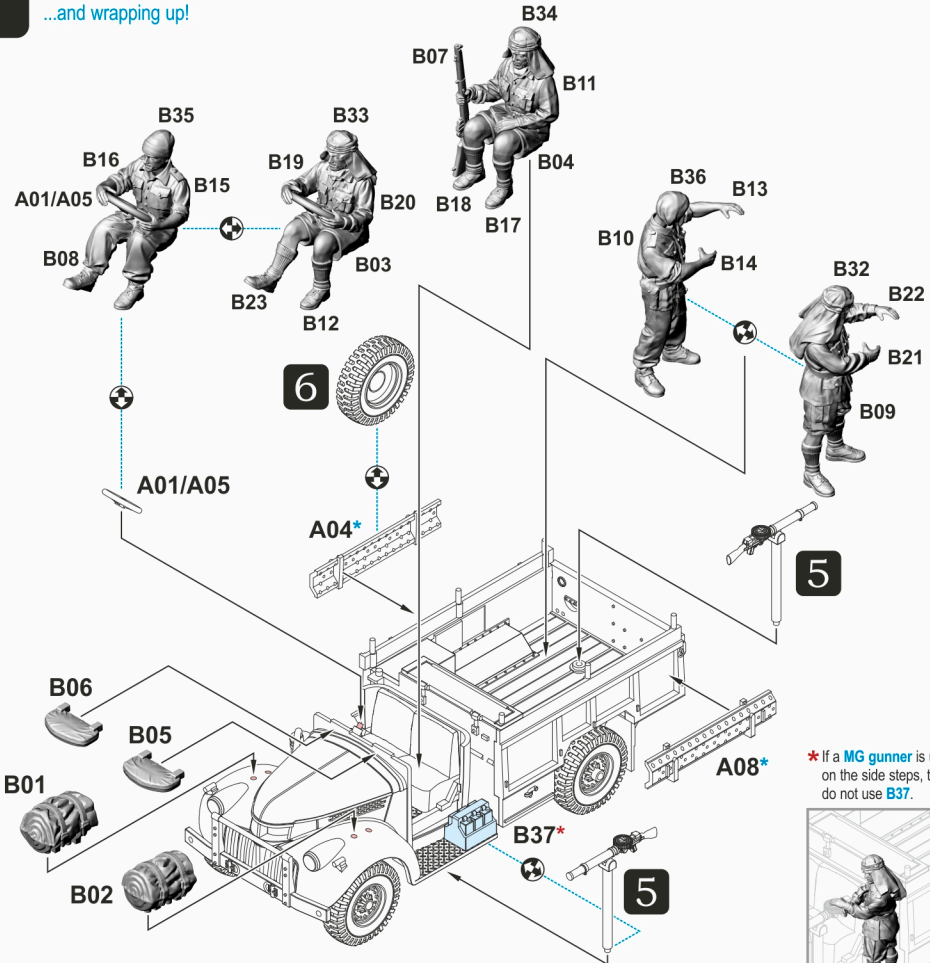
A13

A26

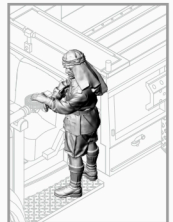
7

Driver & Crew

...and wrapping up!



* If a MG gunner is used on the side steps, then do not use B37.



* Optional