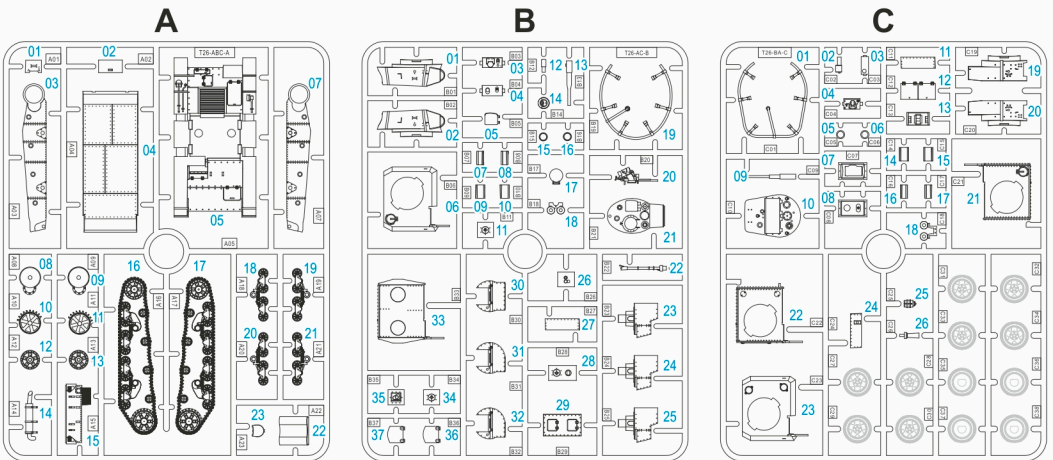


## 1:56 WW2 Military Vehicle Series Soviet T-26 Light Infantry Tank

Model 1931 to 1939, including flame-throwing tanks (10 variants)



Product Code: 280070  
220503-2



- When you use glue or paint, do not use near a naked flame, and use in a well-ventilated area.
- When assembling this kit, tools including knives are used. Extra care should be taken to avoid personal injury.
- Keep out of reach of small children.

Read carefully and fully understand the instructions before commencing assembly. Model supplied unpainted.  
Bases, scenery, glue and paint not included. Legend used:



Choices



Optional



No glue



Drill hole



Bend



Cut or trim  
with care

 Please use **ABS Plastic Cement** for our plastic kits.

### WARNING

- THIS IS NOT A TOY
- INTENDED FOR COLLECTORS OF AGE 14 AND ABOVE
- CONTAINS SMALL PARTS AND POINTED COMPONENTS
- NOT SUITABLE FOR CHILDREN UNDER 6 YEARS OLD
- MODEL MAY VARY FROM IMAGE ON BOX
- READY TO ASSEMBLE PRECISION MODEL KIT



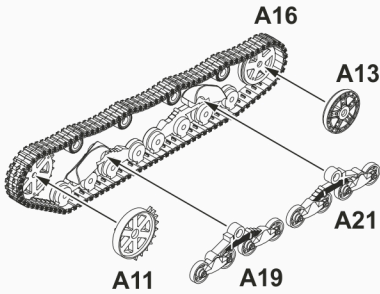
**READ THIS FIRST BEFORE ASSEMBLY STARTS...**

Please study the instruction thoroughly **before** actual assembly. This kit enables you to build **ONE** variant of the T-26 Light Infantry Tank. There are **10** different variants that you can choose from. **A T-26 variant assembly guide is provided at the last page of this instruction sheet, please study carefully.**

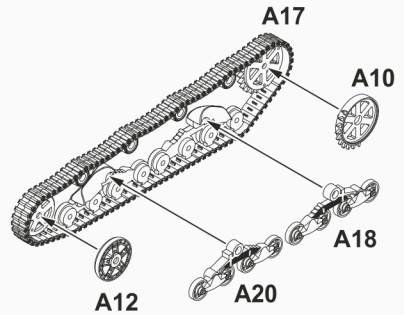
It is also good practice to **test fit** all parts and study all build options **before** gluing them together. This will save you time and frustrations!



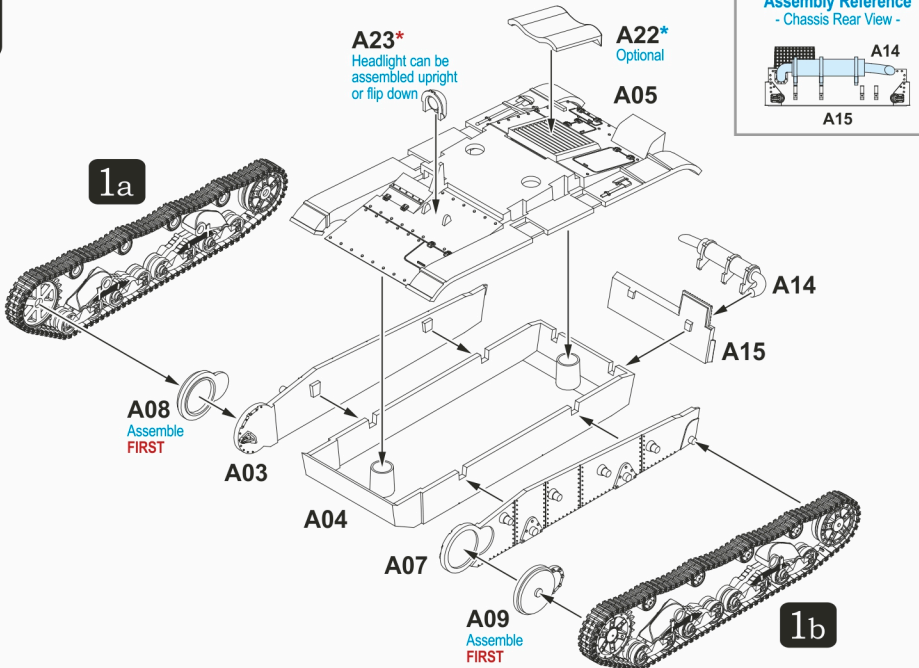
**1a**



**1b**

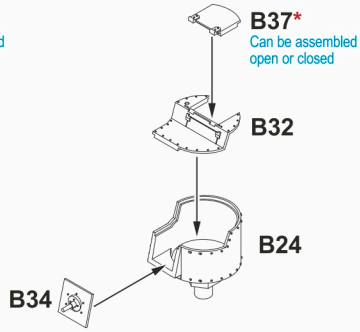
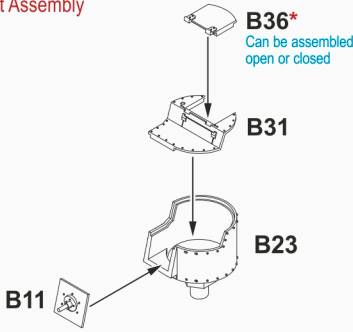


**2**



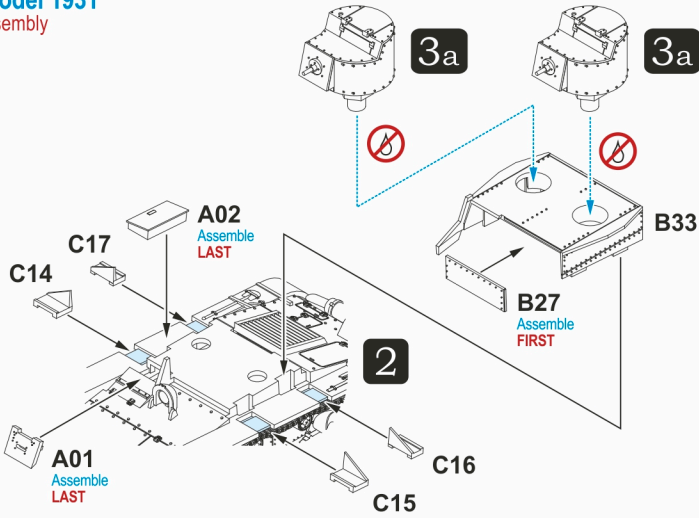
# 3a

## T-26 Model 1931 Turret Assembly



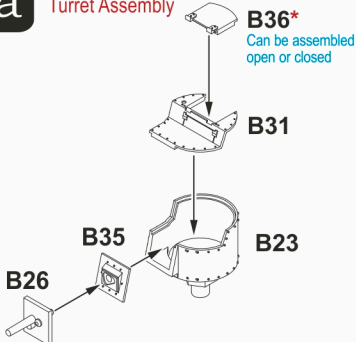
# 3b

## T-26 Model 1931 Final Assembly

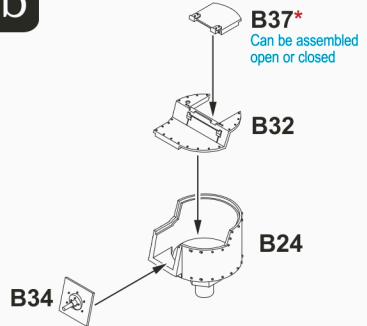


# 4a

## T-26 Model 1932 Turret Assembly

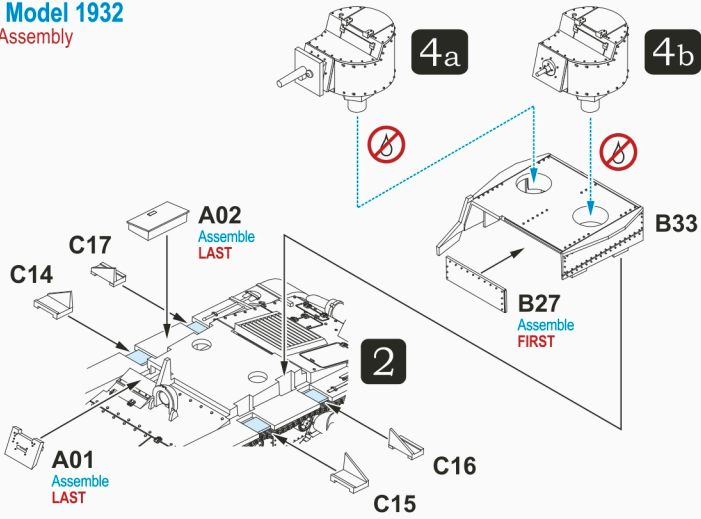


# 4b



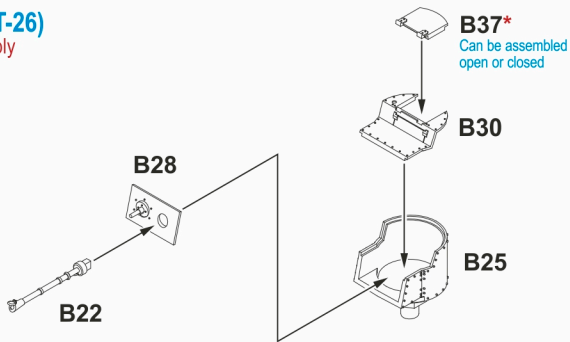
4c

**T-26 Model 1932**  
Final Assembly



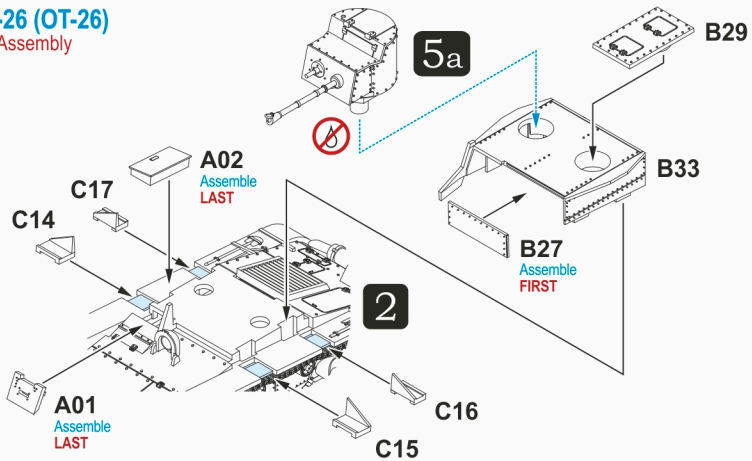
5a

**KhT-26 (OT-26)**  
Turret Assembly



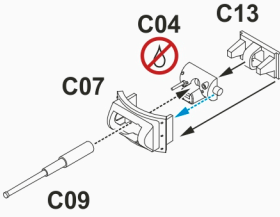
5b

**KhT-26 (OT-26)**  
Final Assembly

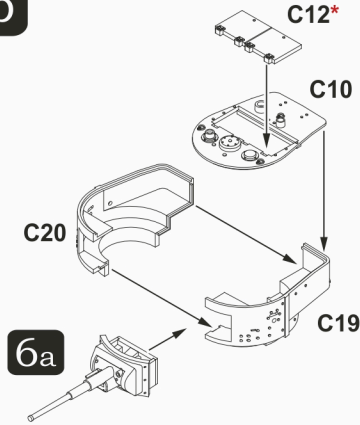


# 6a

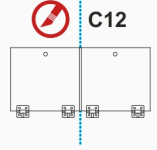
## T-26 Model 1933 Turret Assembly



# 6b

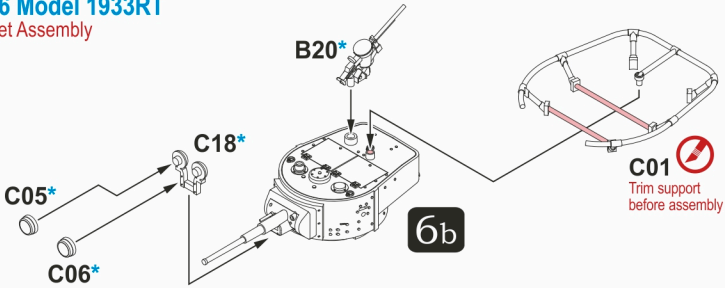


Crew Hatch **C12** can be split into halves by cutting along the dotted line. Both hatches can be open or closed.



# 6c

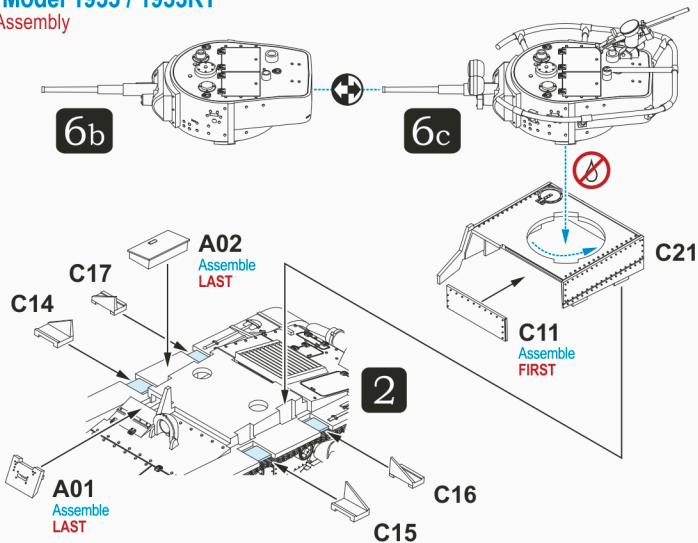
## T-26 Model 1933RT Turret Assembly



\* Optional

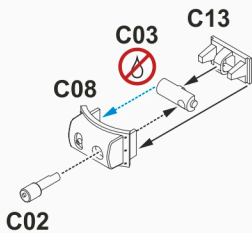
# 6d

## T-26 Model 1933 / 1933RT Final Assembly

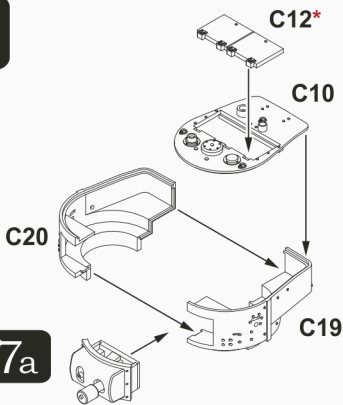


# 7a

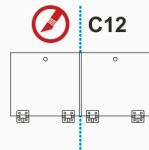
## KhT-130 (OT-130) Turret Assembly



# 7b

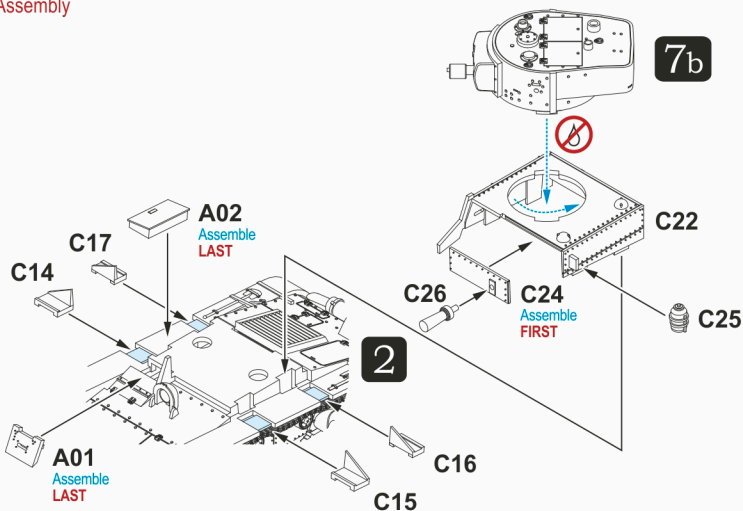


Crew Hatch **C12** can be split into halves by cutting along the dotted line. Both hatches can be open or closed.



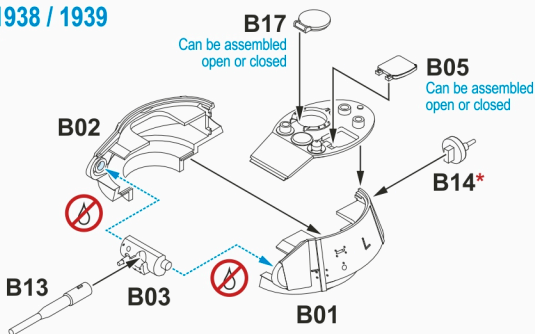
# 7c

## KhT-130 (OT-130) Final Assembly



# 8a

## T-26 Model 1938 / 1939 Turret Assembly



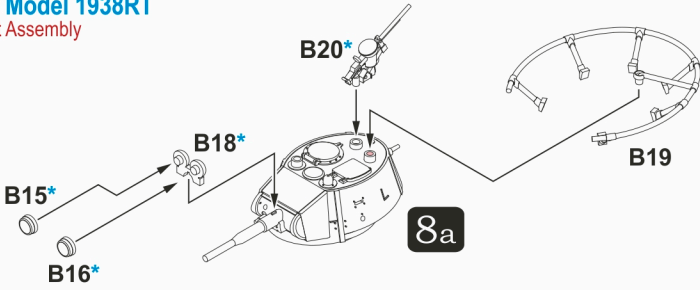
### Rear View of the T-26 Turret

Please note the position of the machine gun **B14** during assembly.



8b

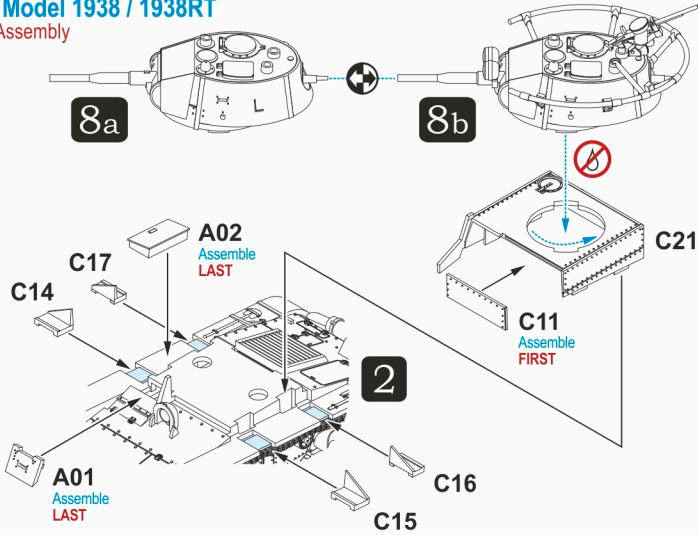
**T-26 Model 1938RT**  
Turret Assembly



\* Optional

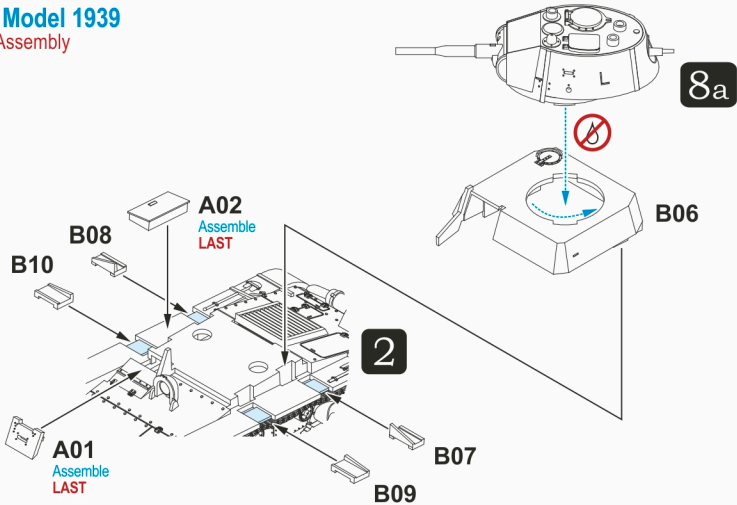
8c

**T-26 Model 1938 / 1938RT**  
Final Assembly



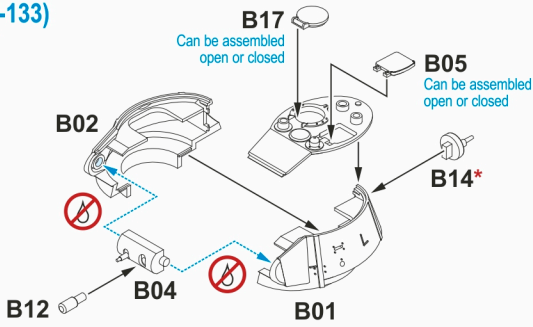
8d

**T-26 Model 1939**  
Final Assembly



9a

### KhT-133 (OT-133) Turret Assembly



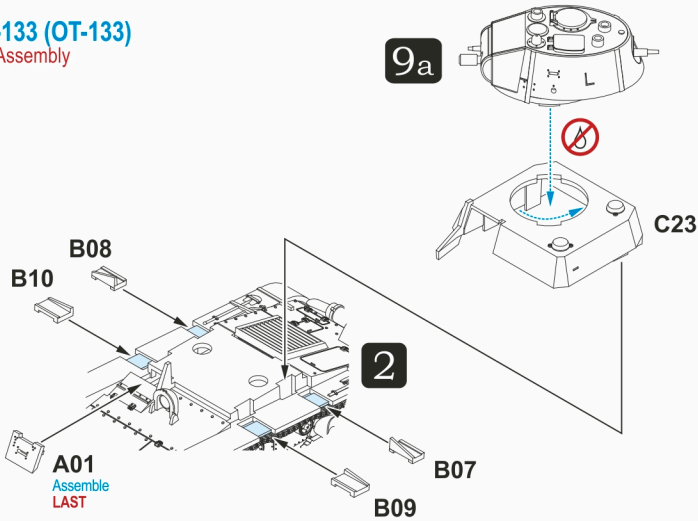
#### Rear View of the T-26 Turret

Please note the position of the machine gun **B14** during assembly.

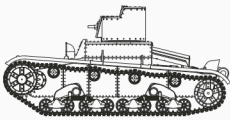


9b

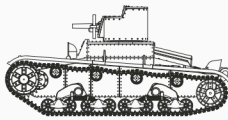
### KhT-133 (OT-133) Final Assembly



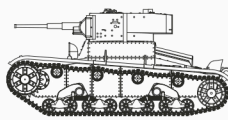
## Soviet T-26 Light Infantry Tank - Assembly Guide



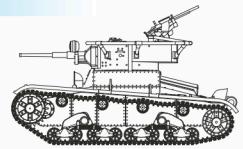
T-26 M31 3a 3b



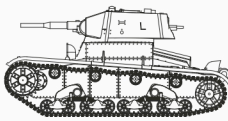
T-26 M32 4a 4b 4c



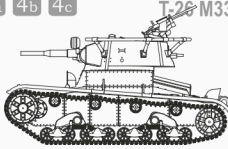
T-26 M33 6a 6b 6d



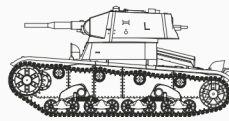
T-26 M33RT 6a 6b 6c 6d



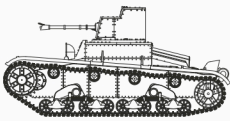
T-26 M38 8a 8c



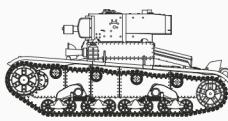
T-26 M38RT 8a 8b 8c



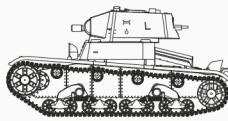
T-26 M39 8a 8d



KhT-26 5a 5b



KhT-130 7a 7b 7c



KhT-133 9a 9b

For common lower chassis and tracks assembly, please refer to step 1a 1b 2