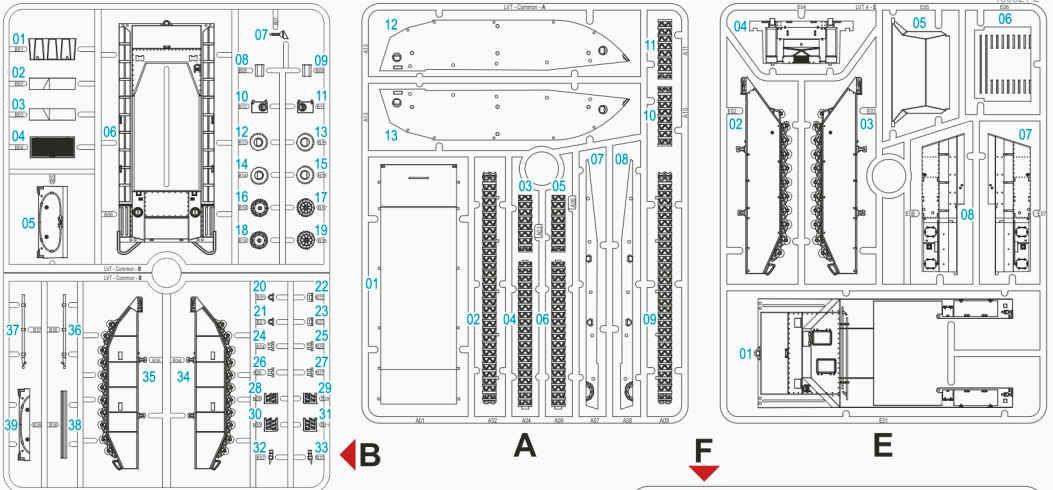




Product Code: 280068



CAUTION

- When you use glue or paint, do not use near a naked flame, and use in a well ventilated area.
- When assembling this kit, tools including knives are used. Extra care should be taken to avoid personal injury.
- Keep out of reach of small children.

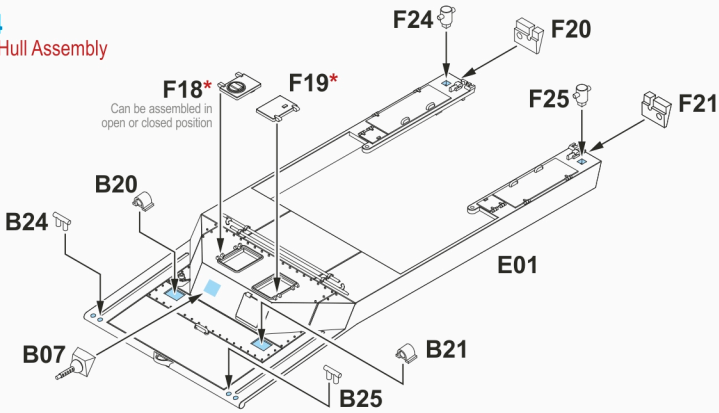
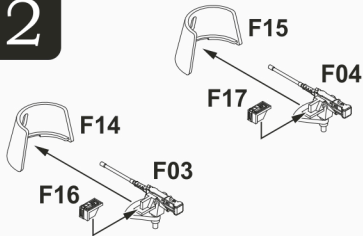
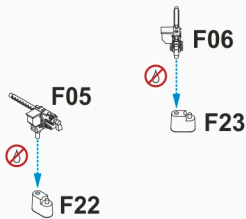
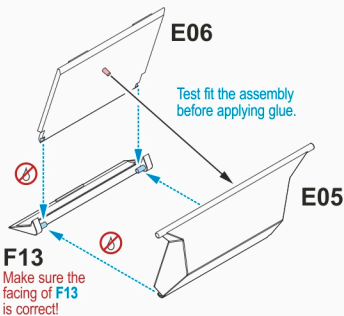
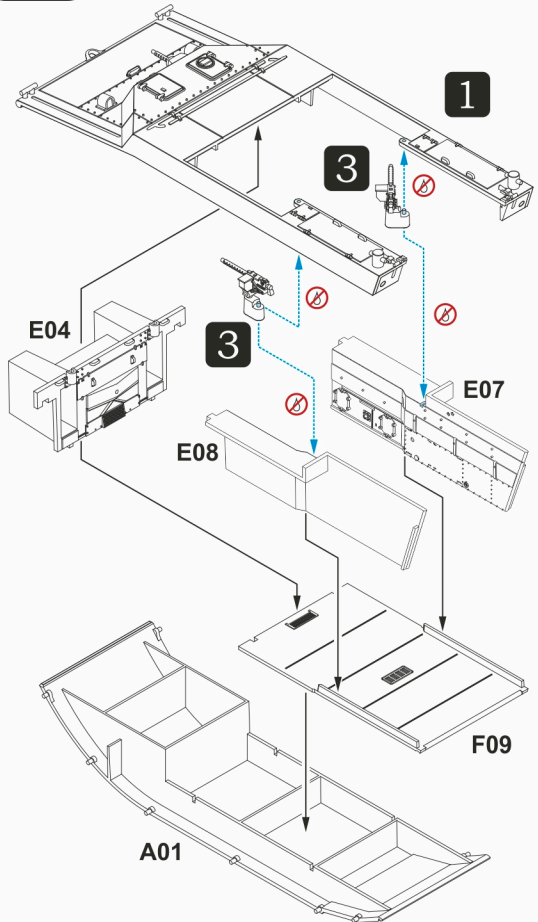
Read carefully and fully understand the instructions before commencing assembly. Model supplied unpainted. Bases, scenery, glue and paint not included. Meaning of symbols used:

- Choices
- Optional
- No glue
- Open hole
- Bend
- Cut or trim with care

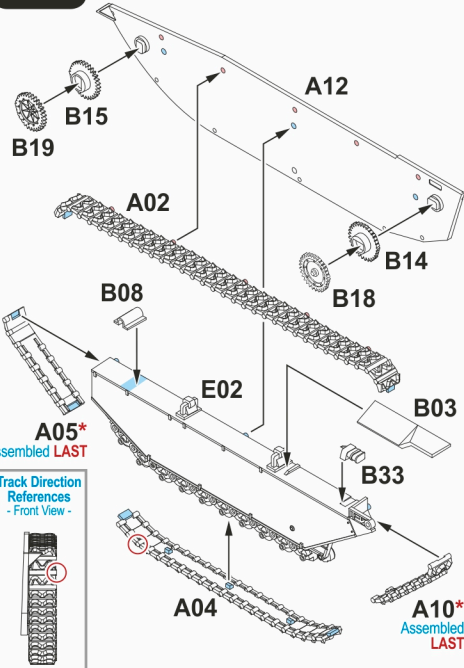
Please use **ABS Plastic Cement** for assembly.

WARNING

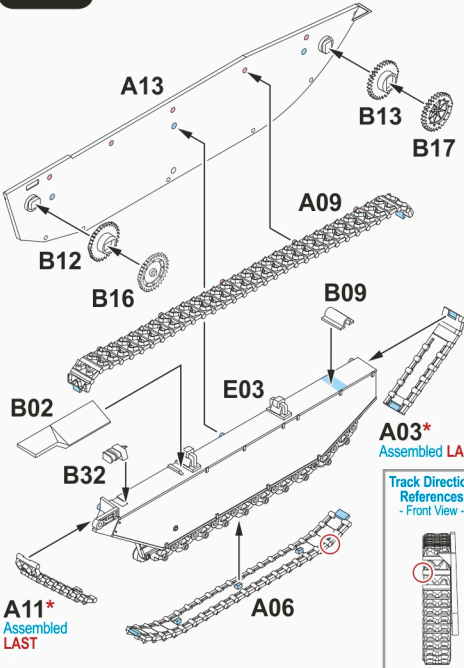
- THIS IS NOT A TOY
- INTENDED FOR COLLECTORS OF AGE 14 AND ABOVE
- CONTAINS SMALL PARTS AND POINTED COMPONENTS
- NOT SUITABLE FOR CHILDREN UNDER 6 YEARS OLD
- MODEL MAY VARY FROM IMAGE ON BOX
- READY TO ASSEMBLE PRECISION MODEL KIT

1**LVT-4**
Upper Hull Assembly**2****3****4a****LVT-4**
Rear Exit Door Assembly**4b****LVT-4**
Hull Assembly

4c

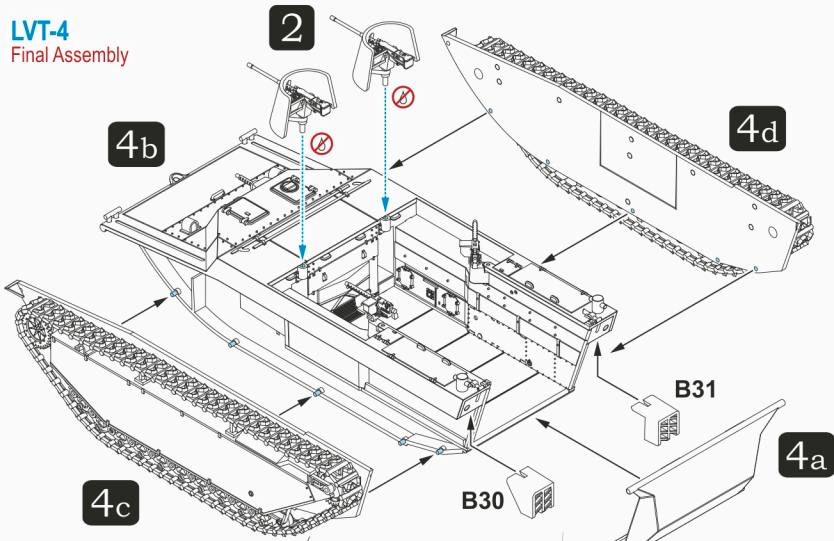


4d



4e

LVT-4 Final Assembly



280066
LVT(A)-1 & LVT(A)-4
AmTrak



280067
LVT-2 & LVT(A)-2
Water Buffalo

