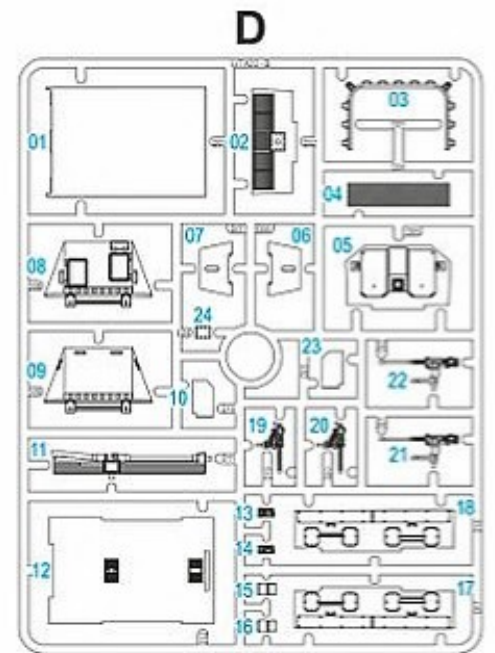
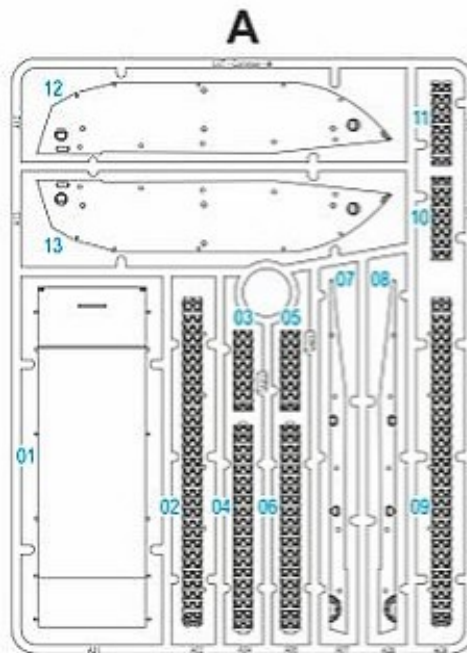
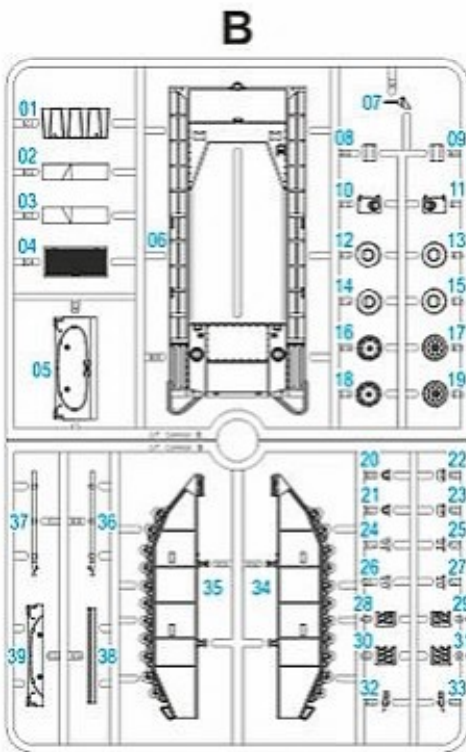


Product Code: 280067



- When you use glue or paint, do not use near a naked flame, and use in a well-ventilated area.
- When assembling this kit, tools including knives are used. Extra care should be taken to avoid personal injury.
- Keep out of reach of small children.

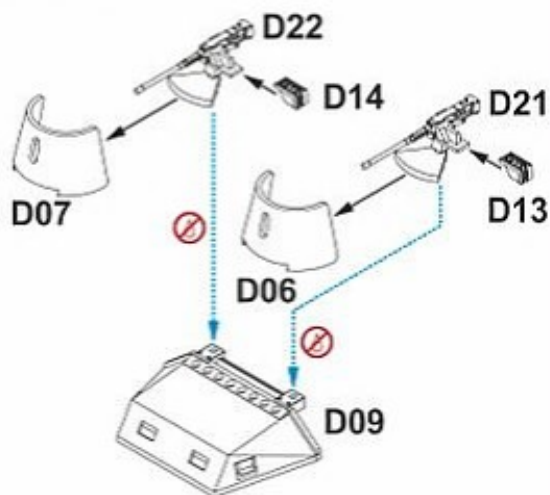
Read carefully and fully understand the instructions before commencing assembly. Model supplied unpainted. Bases, scenery, glue and paint not included. Meaning of symbols used:

- Choices
- Optional
- No glue
- Drill hole
- Bend
- Cut or trim with care

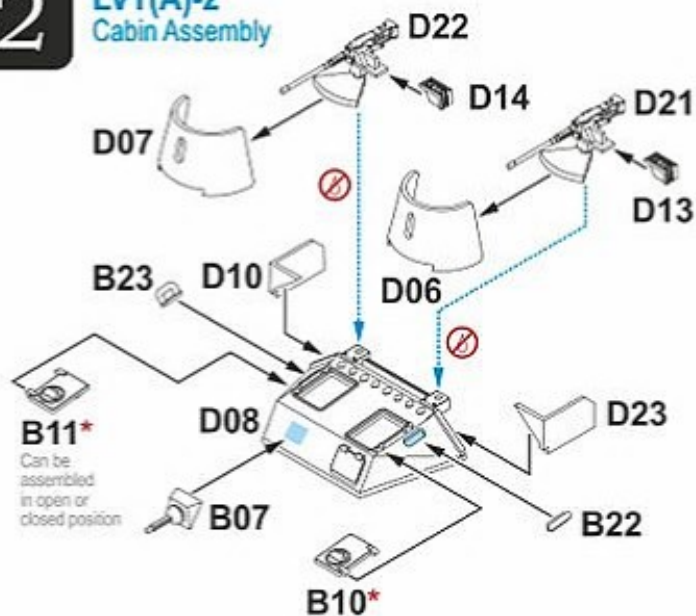
WARNING:
Contains small parts which may be hazardous to children under 14 years of age.



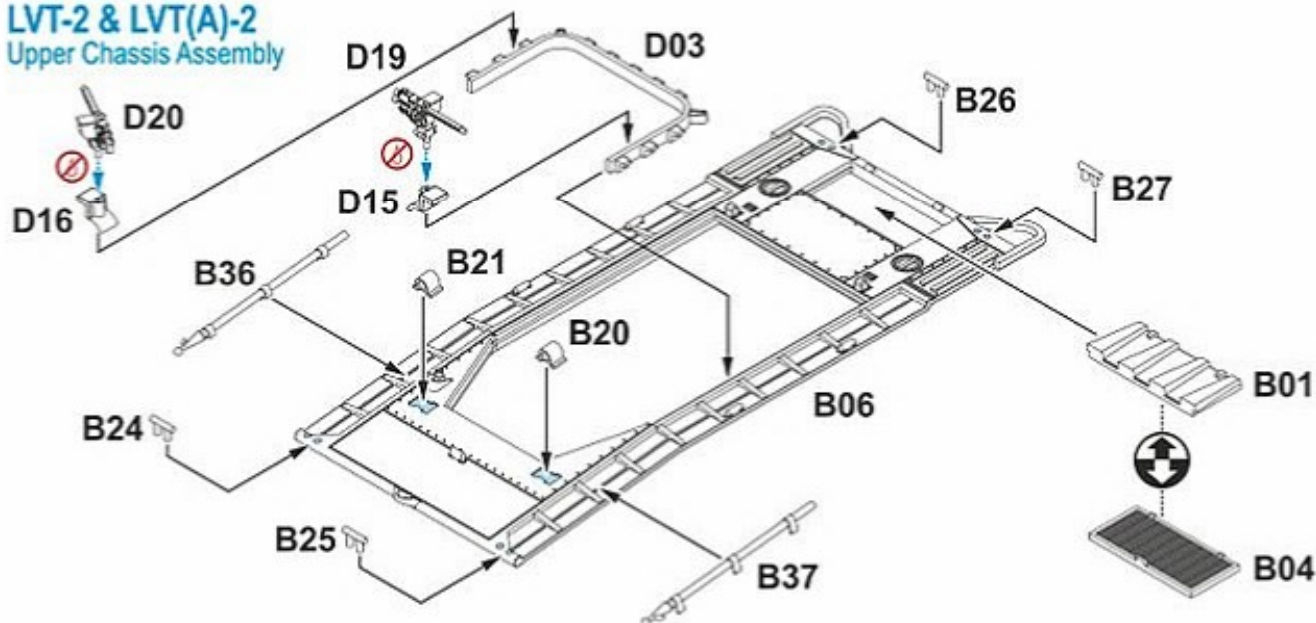
1 LVT-2 Cabin Assembly



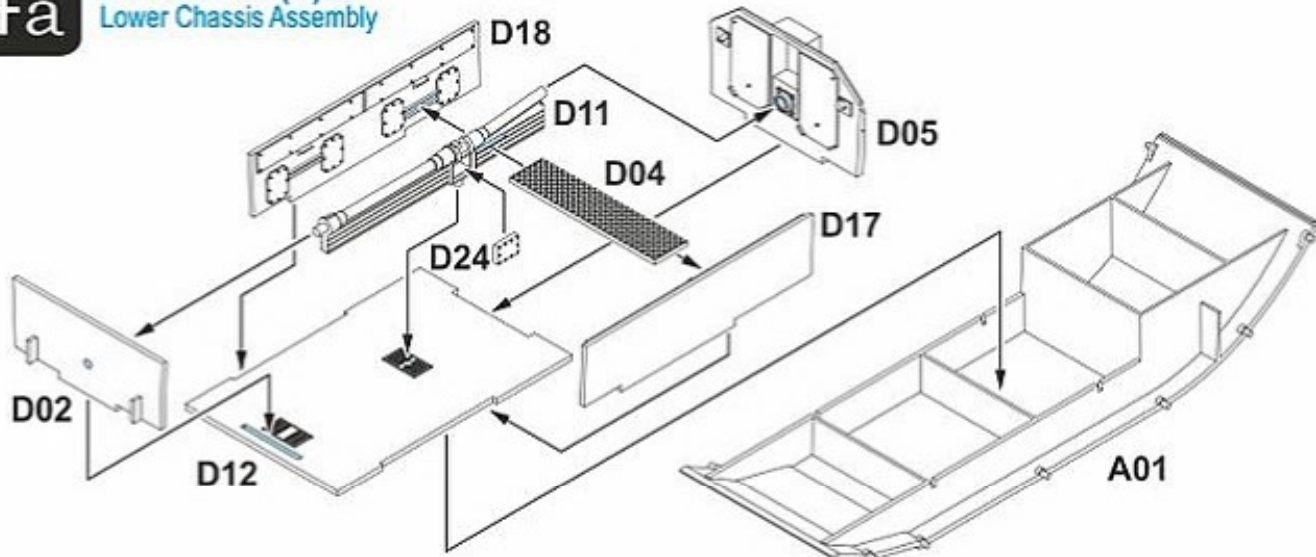
2 LVT(A)-2 Cabin Assembly



3 LVT-2 & LVT(A)-2 Upper Chassis Assembly



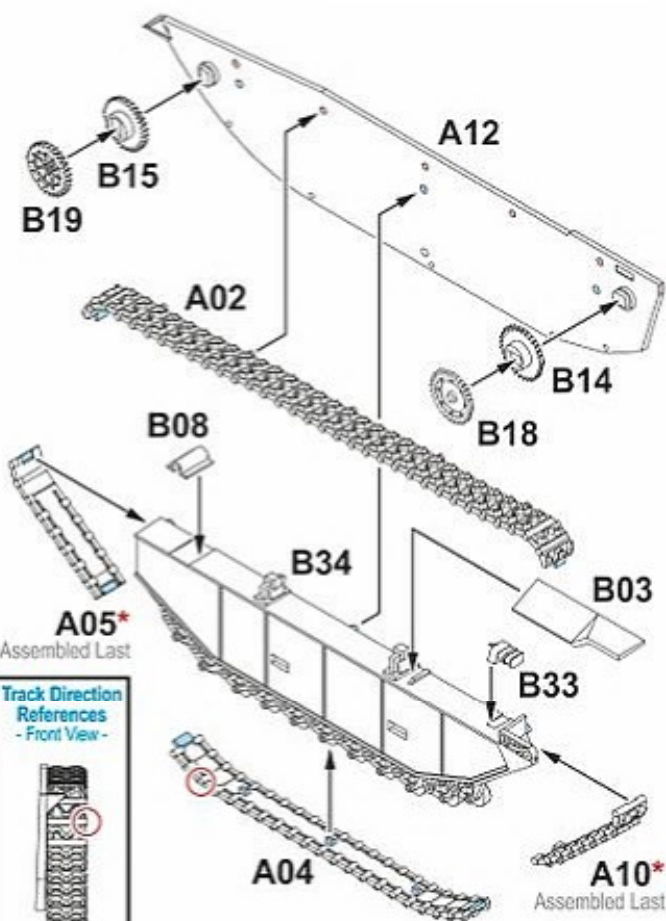
4a LVT-2 & LVT(A)-2 Lower Chassis Assembly



4b**DO THIS FIRST!**

Remove extra bits from A12 with a cutter before assembly

A12

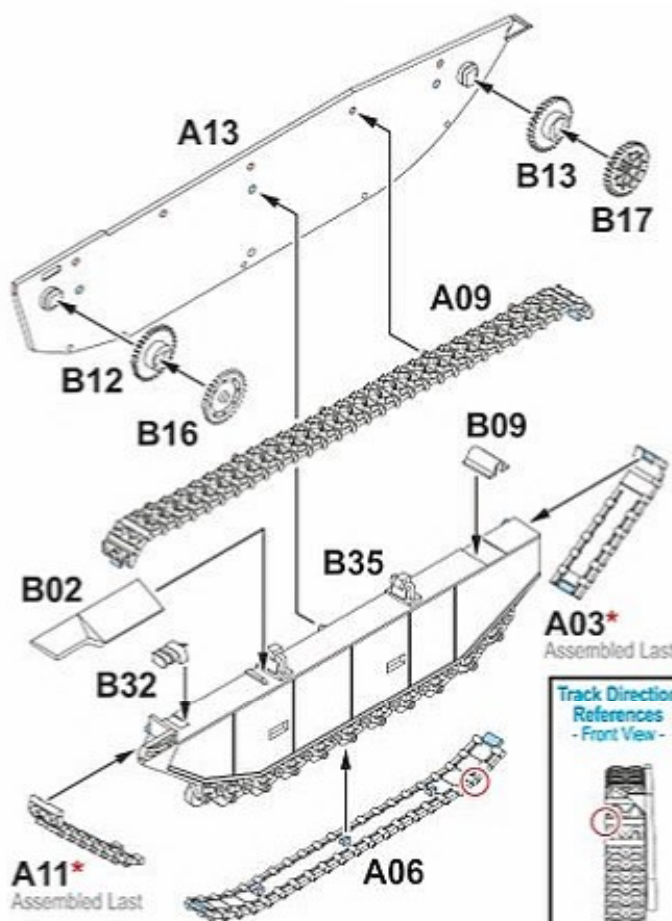


Track Direction References - Front View -

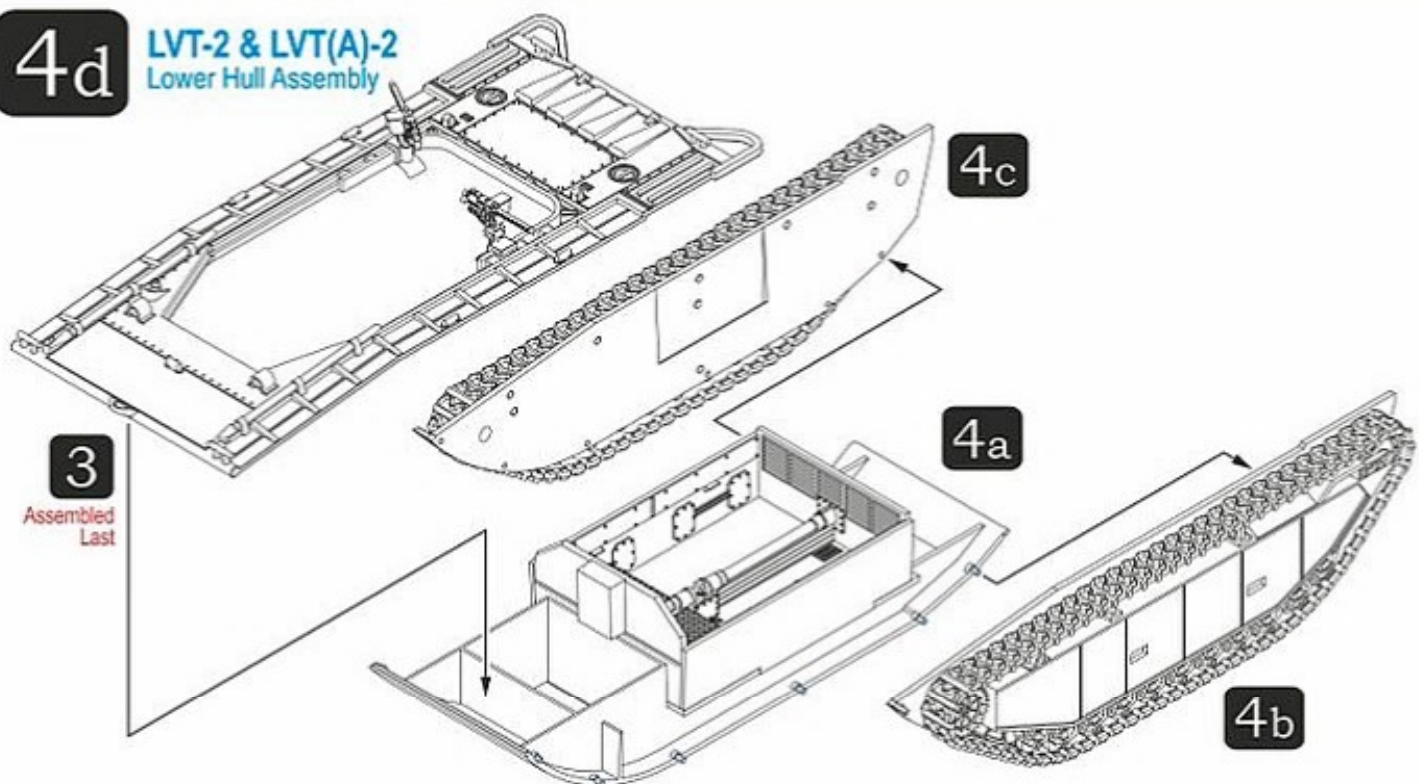
**4c****DO THIS FIRST!**

Remove extra bits from A13 with a cutter before assembly

A13



Track Direction References - Front View -

**4d****LVT-2 & LVT(A)-2
Lower Hull Assembly**

4c

4a

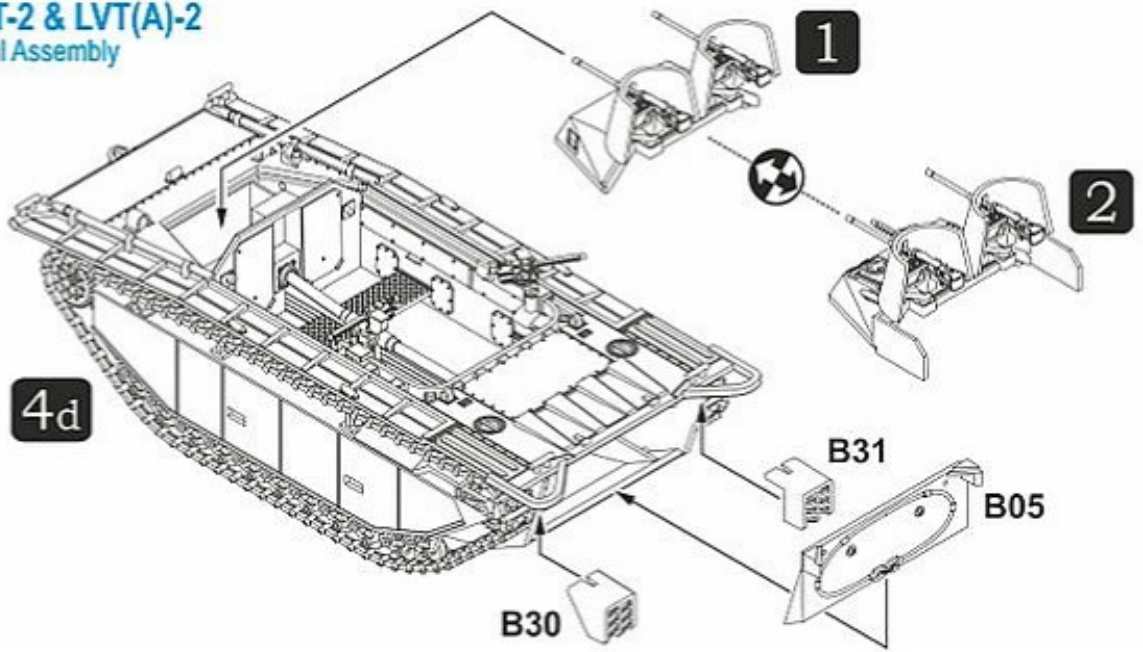
4b

3

Assembled Last

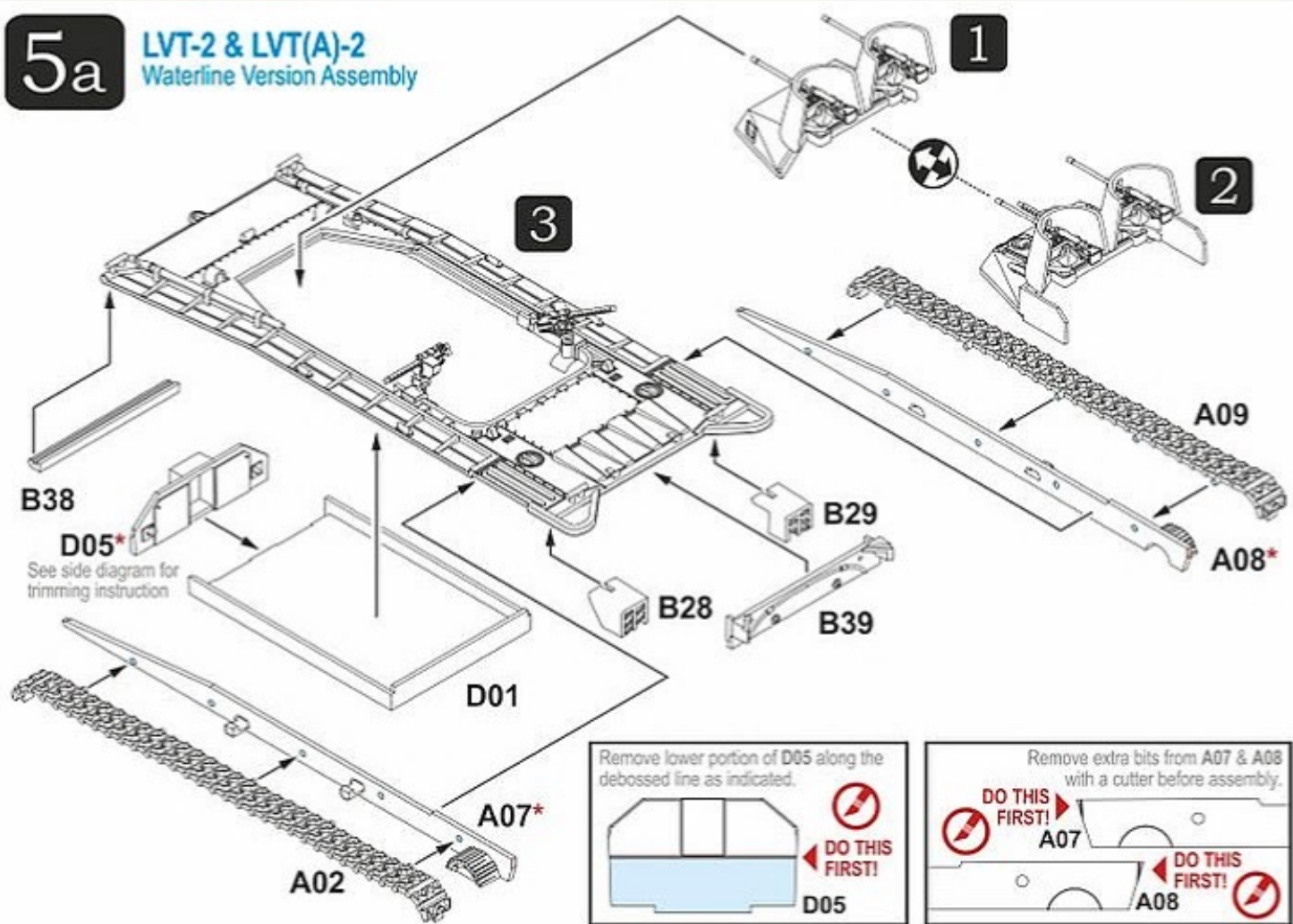
4e

LVT-2 & LVT(A)-2
Final Assembly



5a

LVT-2 & LVT(A)-2
Waterline Version Assembly



5b

LVT-2 & LVT(A)-2
Waterline Final Assembly

