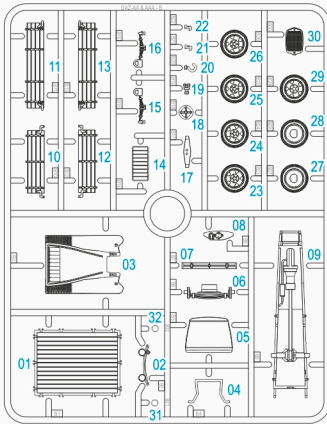


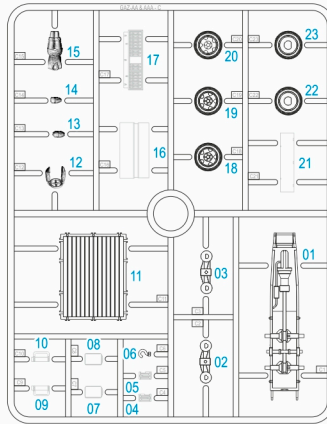


Product Code: 280063

230302-2



B



C



01



02

A

NOTE:

The grey-out unused parts is the ammo storage bin for the optional **Quad Maxium AA gun** (available separately).



CAUTION

- When you use glue or paint, do not use near a naked flame, and use in a well-ventilated area.
- When assembling this kit, tools including knives are used. Extra care should be taken to avoid personal injury.
- Keep out of reach of small children.

Read carefully and fully understand the instructions before commencing assembly. Model supplied unpainted. Bases, scenery, glue and paint not included. Meaning of symbols used:



Choices



Optional



No glue



Drill hole



Bend

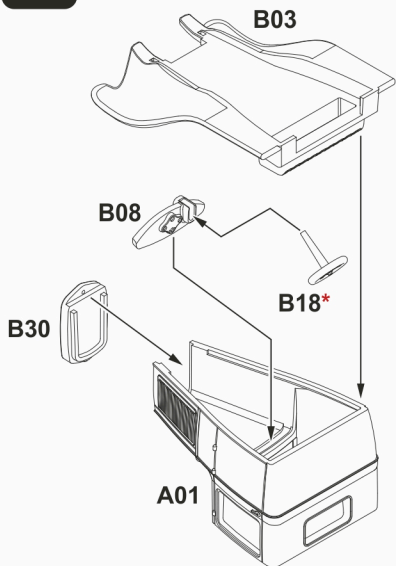


Cut or trim with care

Please use **ABS Plastic Cement** for assembly.

WARNING

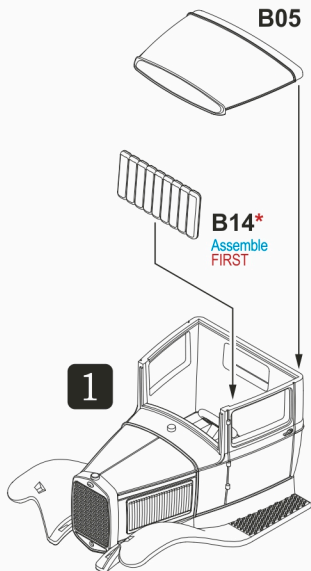
- THIS IS NOT A TOY
- INTENDED FOR COLLECTORS OF AGE 14 AND ABOVE
- CONTAINS SMALL PARTS AND POINTED COMPONENTS
- NOT SUITABLE FOR CHILDREN UNDER 6 YEARS OLD
- MODEL MAY VARY FROM IMAGE ON BOX
- READY TO ASSEMBLE PRECISION MODEL KIT

1

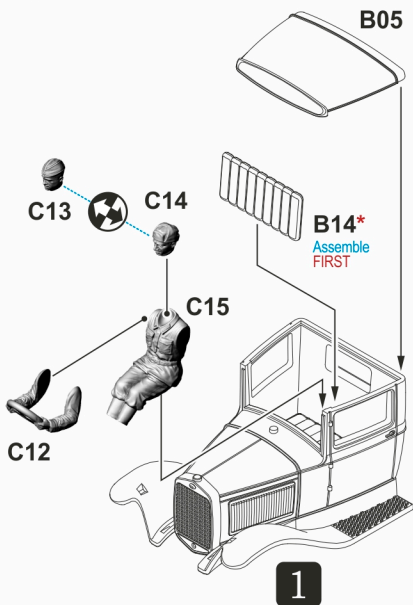
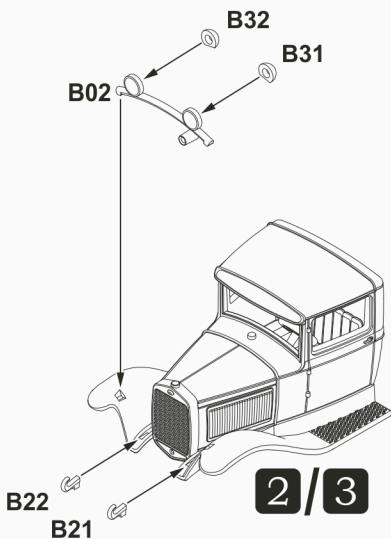
* Do NOT assemble the steering wheel (B18) if you intend to install a driver.

2

Cabin Assembly without driver

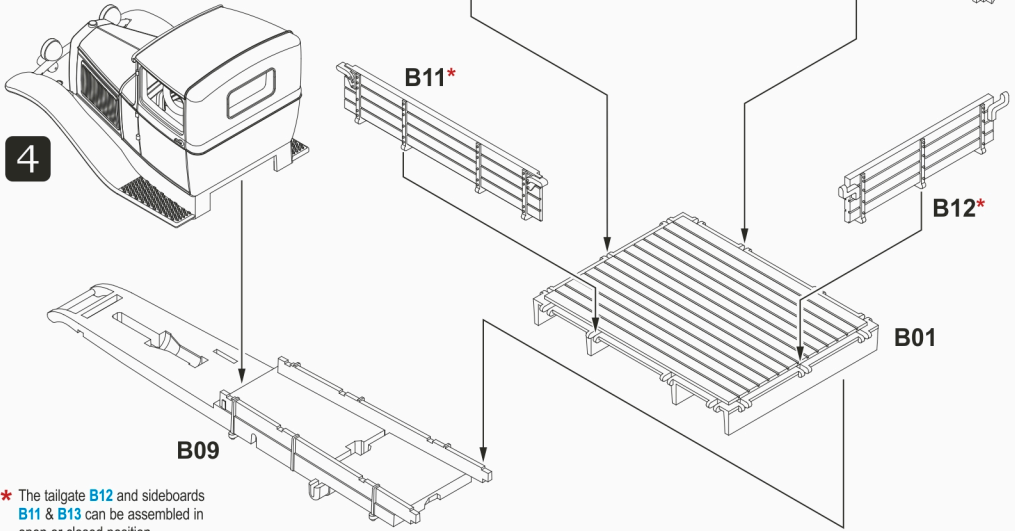
**3**

Cabin Assembly with driver

**4**

5a

For GAZ-AA 1.5-ton Truck Cab & Trunk Assembly

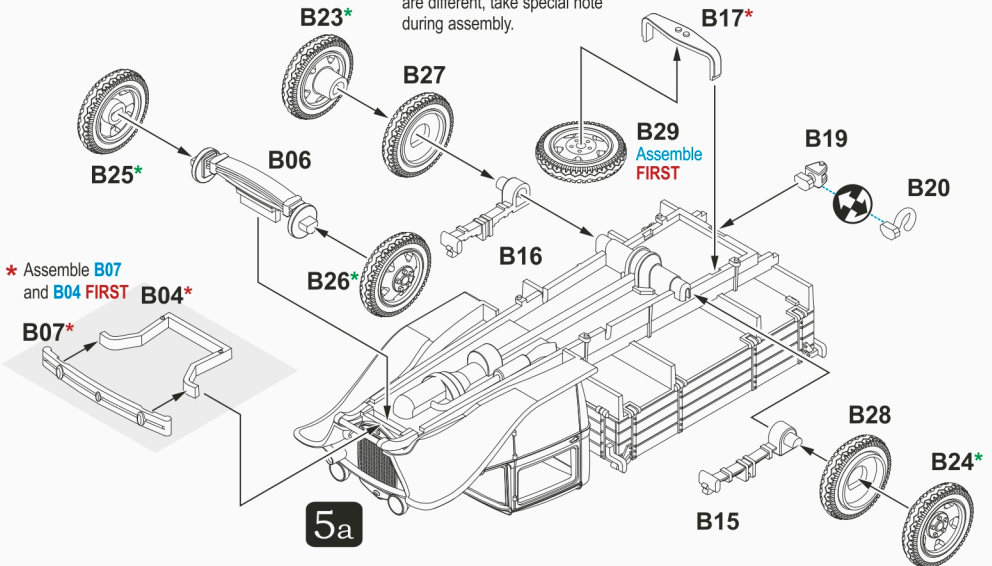


* The tailgate **B12** and sideboards **B11** & **B13** can be assembled in open or closed position.

5b

For GAZ-AA 1.5-ton Truck Lower Chassis Assembly

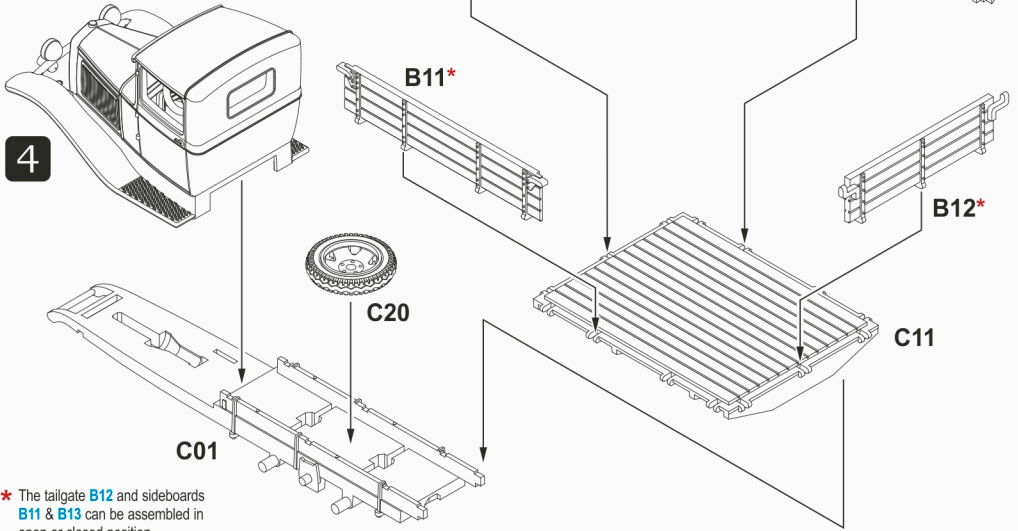
* The **FRONT** and **REAR** wheels are different, take special note during assembly.



* Assemble **B07** and **B04** FIRST **B04***

6a

For GAZ-AAA 2-ton Truck Cab & Trunk Assembly



6b

For GAZ-AAA 2-ton Truck Lower Chassis Assembly

