

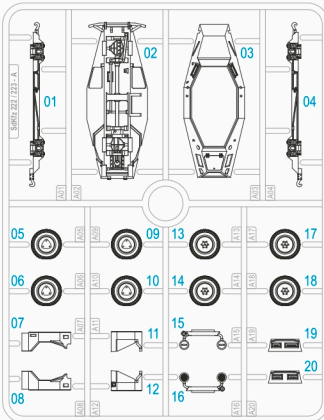
Assembly instruction for the **SdKfz 260/261** (optional upgrade pack 284039) is included.



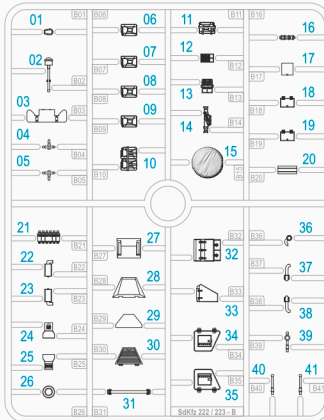
Product Code: 280062

241002-1

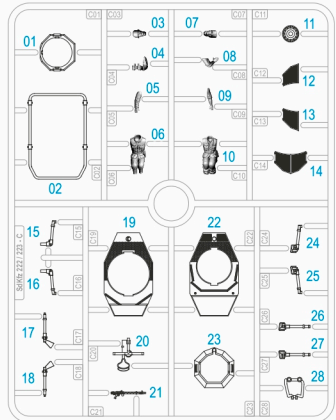
A



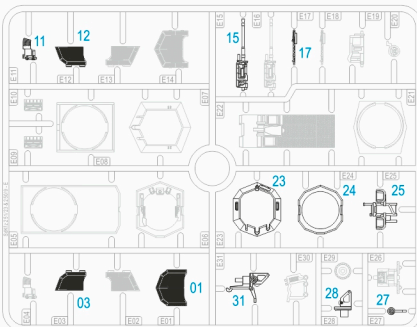
B



C



E ■ Not Used



CAUTION

- When you use glue or paint, do not use near a naked flame, and use in a well ventilated area.
- When assembling this kit, tools including knives are used. Extra care should be taken to avoid personal injury.
- Keep out of reach of small children.

Read carefully and fully understand the instructions before commencing assembly. Model supplied unpainted. Bases, scenery, glue and paint not included. Meaning of symbols used:

- Choices
- Optional
- No glue
- Open hole
- Bend
- Cut or trim with care
- Please use **ABS Plastic Cement** for assembly.

WARNING

- THIS IS NOT A TOY
- INTENDED FOR COLLECTORS OF AGE 14 AND ABOVE
- CONTAINS SMALL PARTS AND POINTED COMPONENTS
- NOT SUITABLE FOR CHILDREN UNDER 6 YEARS OLD
- MODEL MAY VARY FROM IMAGE ON BOX
- READY TO ASSEMBLE PRECISION MODEL KIT

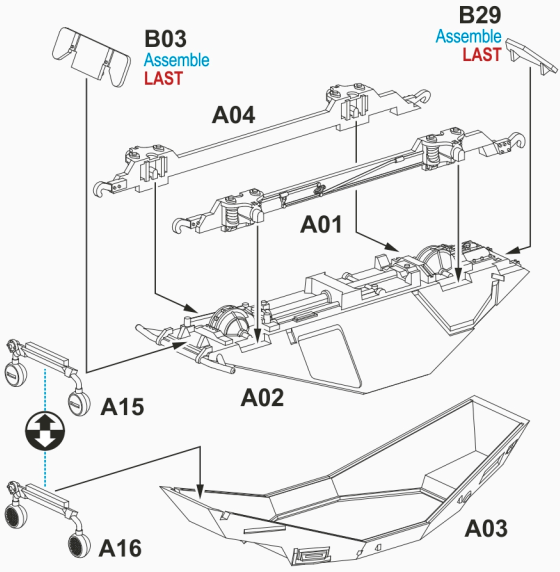


READ THIS FIRST BEFORE ASSEMBLY STARTS...

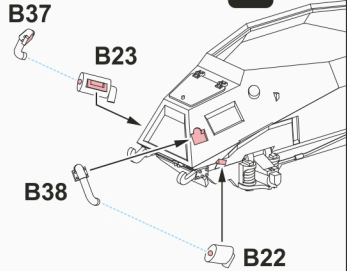
Please study the instruction thoroughly **before** actual assembly. This kit enables you to build either a **SdKfz 222** or **SdKfz 223**. It also includes assembly instructions to build the **SdKfz 260/261** (284039 - available as an upgrade kit, purchase separately).

It is also good practice to **test fit** all parts and study all build options *before* gluing them together. This will save you time and frustrations!

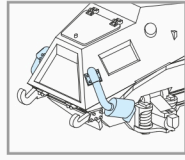
1



2



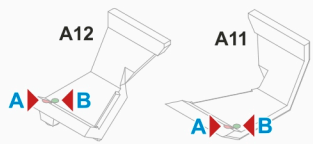
Assembled View



3

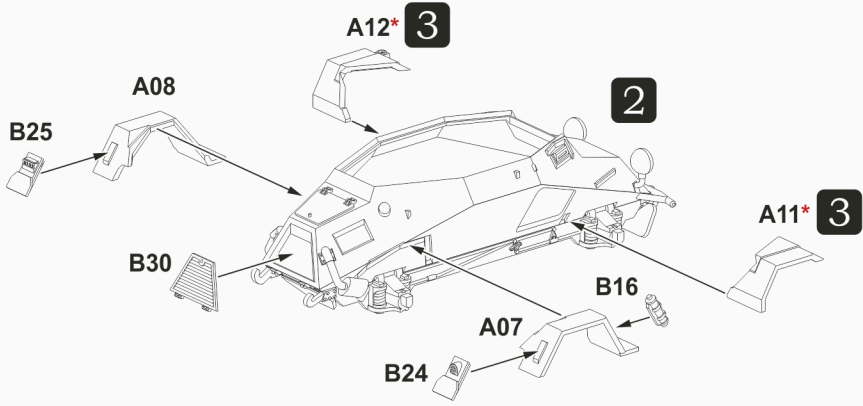
Width Markers

These markers (**B39** / **B40** / **B41**) can easily break off during a gaming session, we therefore leave them as an option. Drill **two of the four** marked holes under **A11** and **A12** if you wish to install them. Please refer to **STEP 5** for more details.

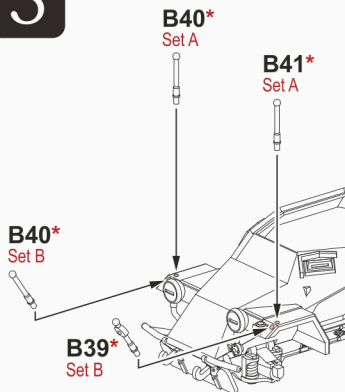


* Drill either **SET A** or **SET B** holes, but **NOT both!**

4

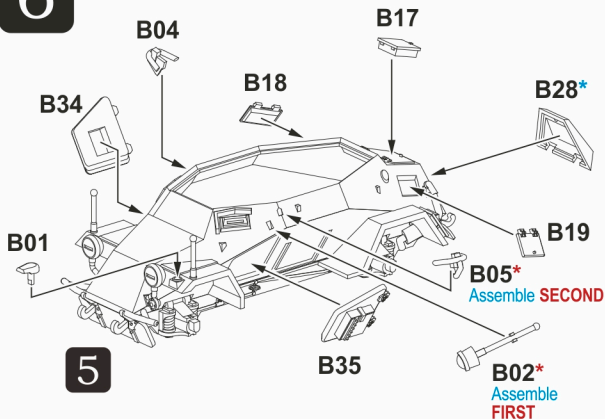


5



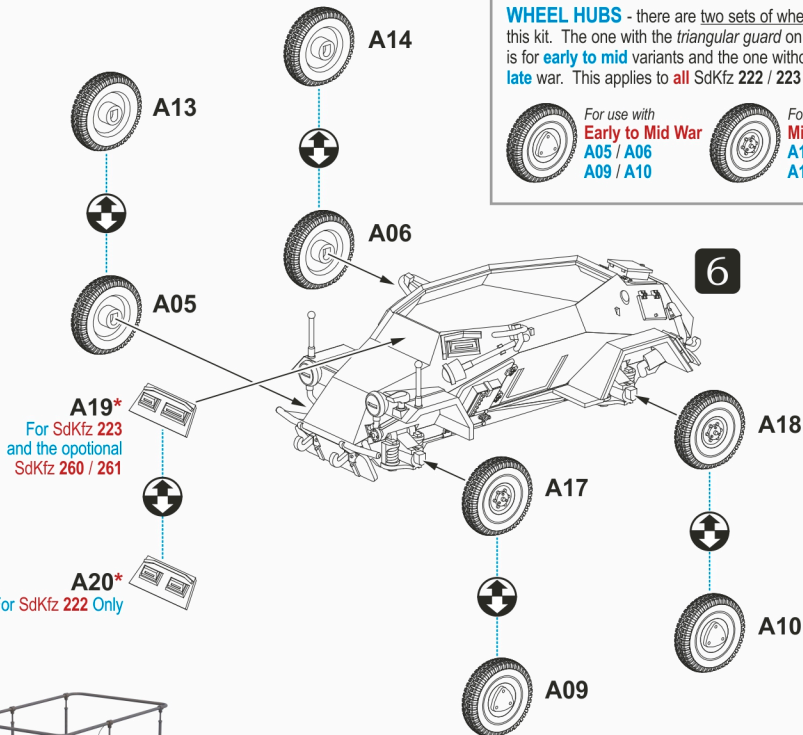
* Refer to **STEP 3** for additional info on the "Width Markers" options. **Set A** or **Set B** only!

6



* Optional

7



WHEEL HUBS - there are **two sets of wheels** included in this kit. The one with the **triangular guard** on the wheel hub is for **early to mid** variants and the one without is for **mid to late** war. This applies to **all** Sdkfz 222 / 223 / 260 / 261.



For use with
Early to Mid War
A05 / A06
A09 / A10



For use with
Mid to Late War
A13 / A14
A17 / A18



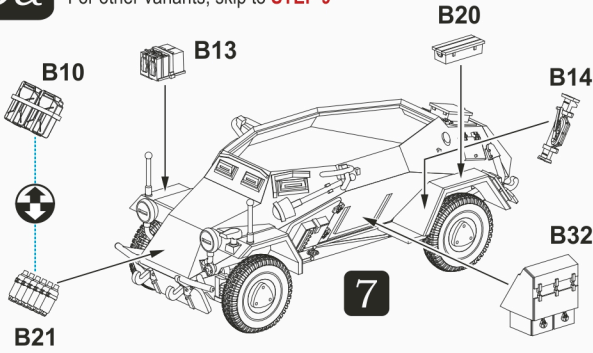
The **Sdkfz 260** Kleine Panzerfunkwagen is a four-wheeled light armoured car used to transport and protect signal units. It had a four-man crew protected by relatively thin armour and a mesh grenade screen, and was unarmed except for the crew's personal weapons. Approximately **500** of the **260** and the similar **261** were built and used from 1940 till the end of the war. The really significant difference in the two vehicles was in antenna and radio fit. The 260 used a dipole antenna for medium range communications and the 261 used a frame type antenna for long range radio.

A **two-sprue blister pack** is available as an **Sdkfz 260/261** (284039) upgrade from **Rubicon Models** if you fancy such a build option. Please visit our webstores for more details.

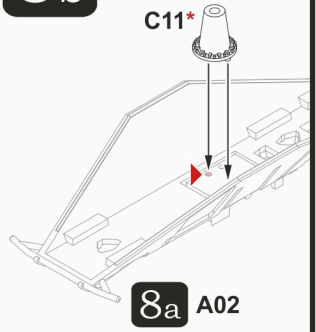
8a

For SdKfz 222 Only

For other variants, skip to **STEP 9**

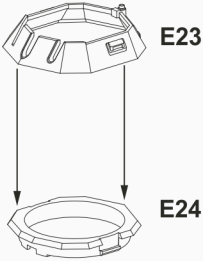


8b

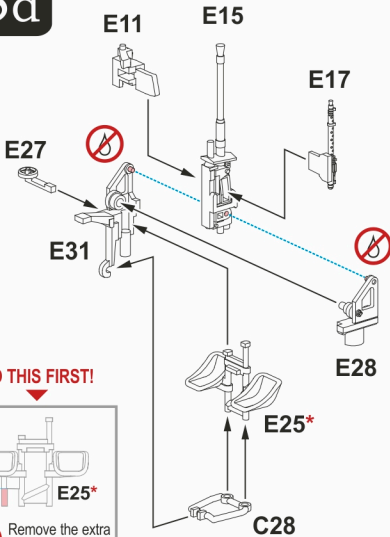


* Part C11 should be attached to the **frontmost** hole of A02 as indicated by the diagram above.

8c



8d



DO THIS FIRST!

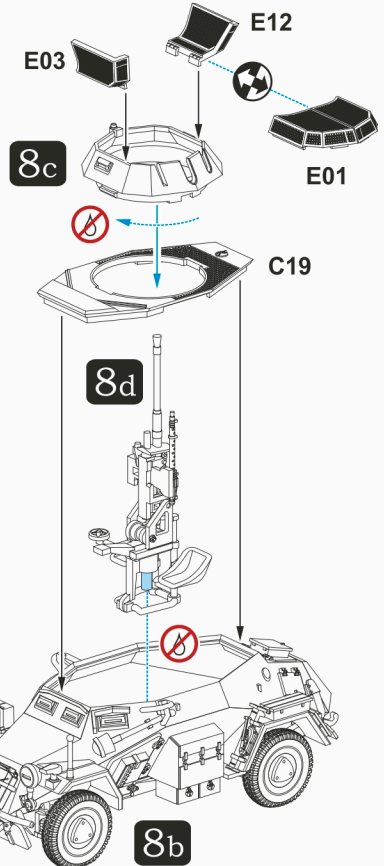


Remove the extra bits with a knife before assembly

8e

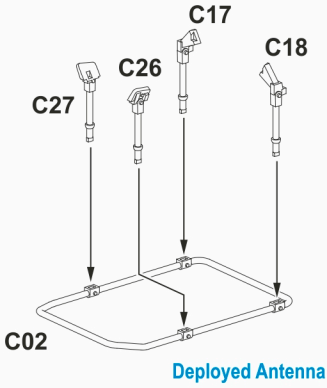
SdKfz 222 Completed!

Skip to **STEP 10**

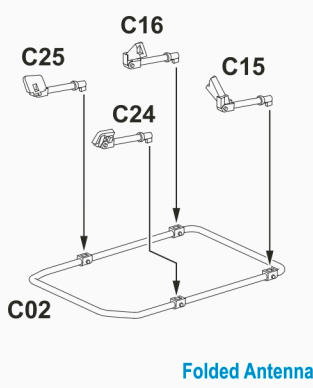


9a

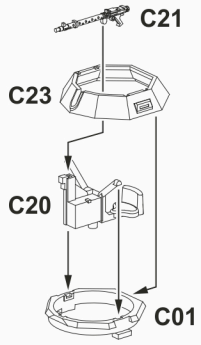
For SdKfz 223 Only
For others, skip to **STEP 10**



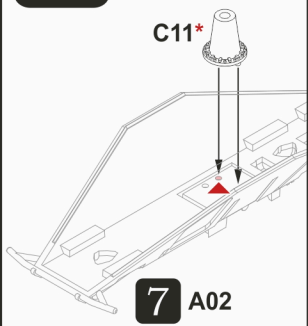
9b



9c

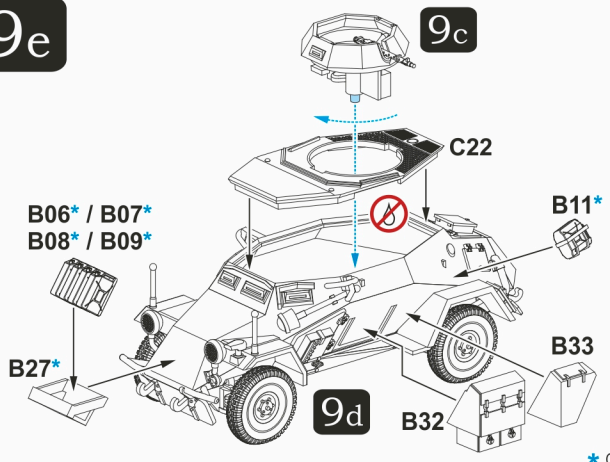


9d

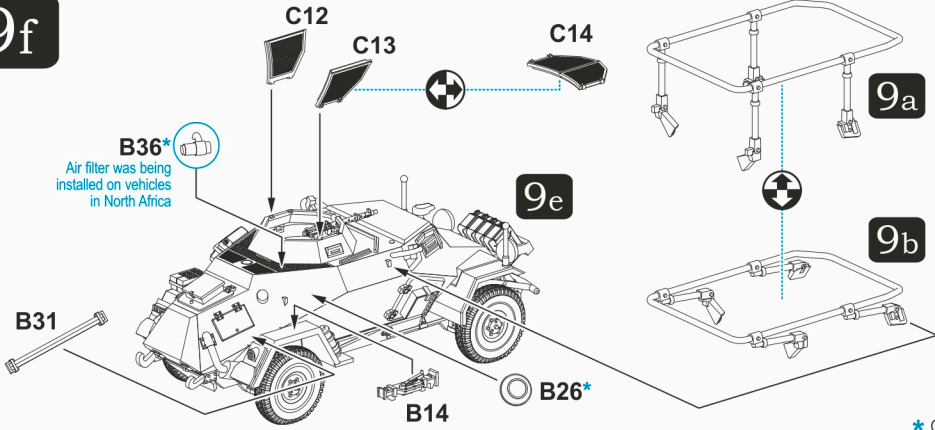


* Part **C11** should be attached to the **rearmost** hole of **A02** as indicated by the diagram above.

9e

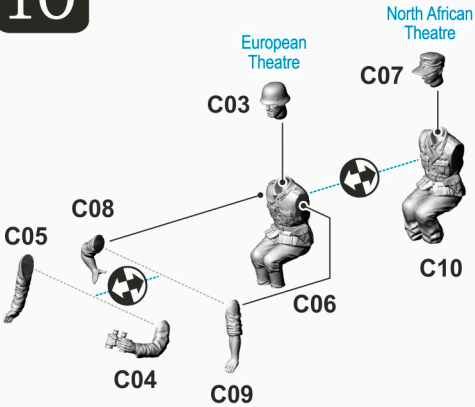


9f



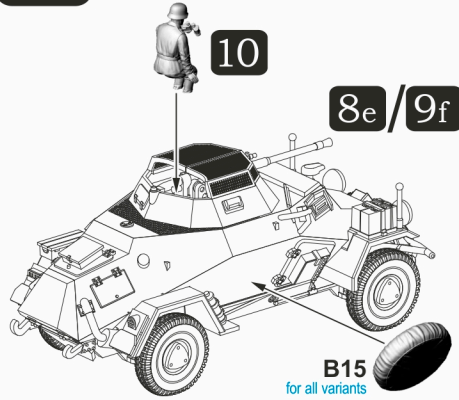
10

Vehicle Crew



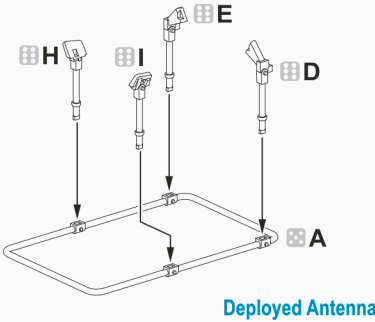
11

SdKfz 222 / 223 Assembly Completed

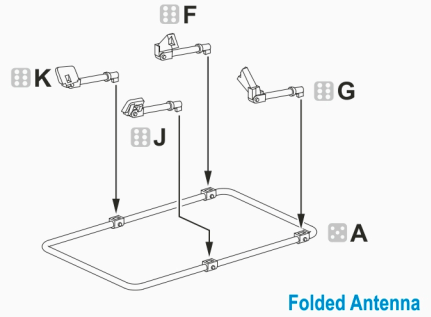


12a

For SdKfz 260 / 261 Only available as an optional upgrade kit (284039)

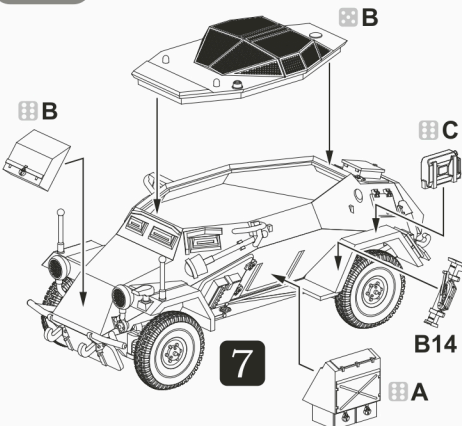


12b



13

SdKfz 260 Assembly Completed



14

SdKfz 261 Assembly Completed

