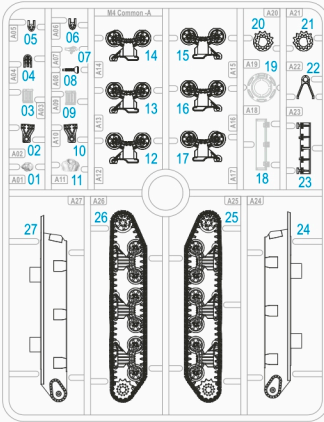




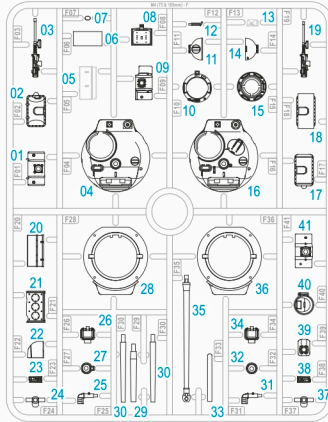
Product Code: 280060

240925-1

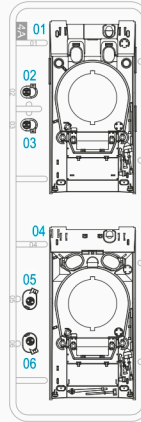
A



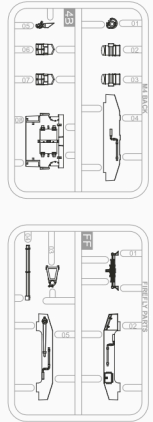
F



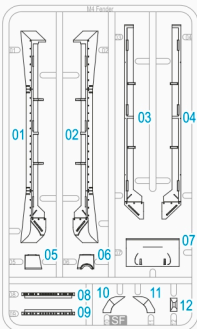
4A



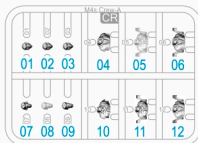
4B



SF



CR



CAUTION

- When you use glue or paint, do not use near a naked flame, and use in a well ventilated area.
- When assembling this kit, tools including knives are used. Extra care should be taken to avoid personal injury.
- Keep out of reach of small children.

Read carefully and fully understand the instructions before commencing assembly. Model supplied unpainted. Bases, scenery, glue and paint not included. Meaning of symbols used:



Choices



Optional



No glue



Open hole



Bend



Cut or trim with care



Please use **ABS Plastic Cement** for assembly.

© Rubicon Models Ltd 2017, 2020, 2024. Rubicon Models, the Rubicon Models Logo are trademarks of Rubicon Models Ltd. All rights reserved.

WARNING

- THIS IS NOT A TOY
- INTENDED FOR COLLECTORS OF AGE 14 AND ABOVE
- CONTAINS SMALL PARTS AND POINTED COMPONENTS
- NOT SUITABLE FOR CHILDREN UNDER 6 YEARS OLD
- MODEL MAY VARY FROM IMAGE ON BOX
- READY TO ASSEMBLE PRECISION MODEL KIT

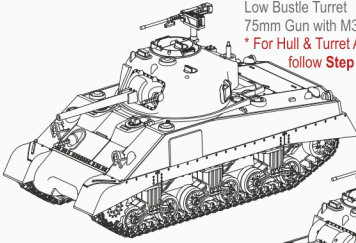


READ THIS FIRST BEFORE ASSEMBLY STARTS...

Please study the instruction thoroughly **before** actual assembly. With this kit, you are able to build **FOUR** main variants of the **M4 Sherman**. It is also good practice to **test fit** all parts and study all build options **before** gluing them together. This will save you time and frustrations!

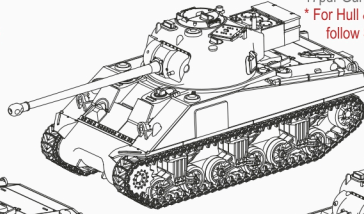
M4 Sherman / Sherman I

Small Hatch Hull
Low Bustle Turret
75mm Gun with M34 Mantlet
* For Hull & Turret Assembly
follow **Step 3 / 4 / 5 / 6 / 7**



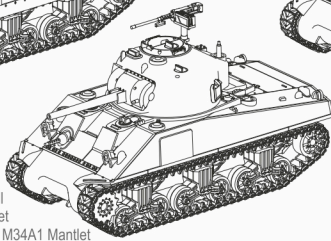
British Firefly IC

Small Hatch Hull
Low Bustle Turret
17pdr Gun
* For Hull & Turret Assembly
follow **Step 3 / 8 / 9 / 10 / 11**



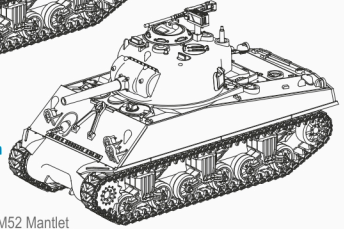
M4 Sherman Sherman I

Small Hatch Hull
Low Bustle Turret
75mm Gun with M34A1 Mantlet
* For Hull & Turret Assembly
follow **Step 3 / 4 / 5 / 6 / 7**

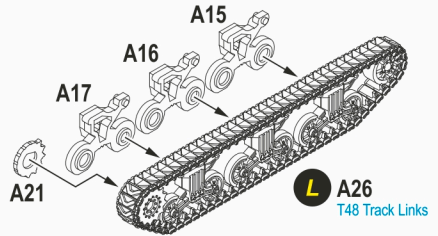
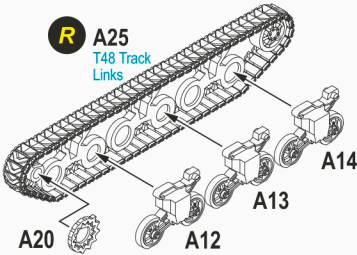


M4(105) Sherman Sherman IB

Large Hatch Hull
High Bustle Turret
105mm Gun with M52 Mantlet
* For Hull & Turret Assembly
follow **Step 3 / 12 / 13 / 14 / 15**

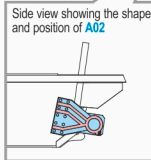
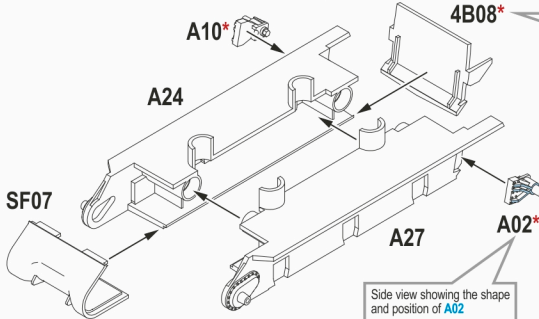


1

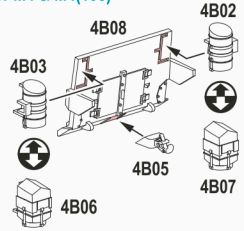


2

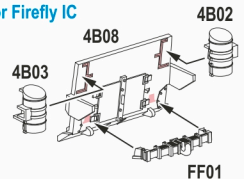
* Part **A02** & **A10** looked very similar and might be easily mixed up. Please make sure they are correctly attached.



Air Filters & Tow Hook for M4 & M4(105)



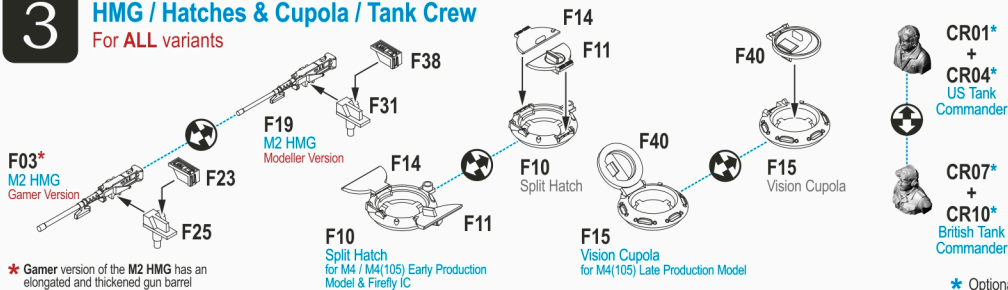
Air Filters & Tow Bar for Firefly IC



3

HMG / Hatches & Cupola / Tank Crew

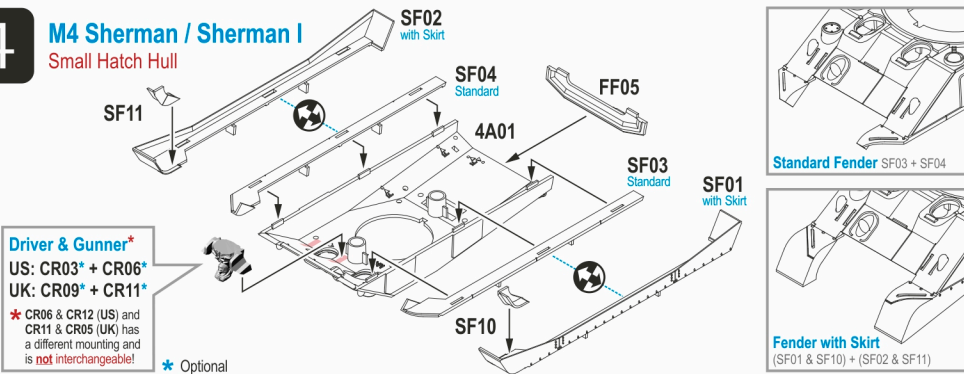
For ALL variants



4

M4 Sherman / Sherman I

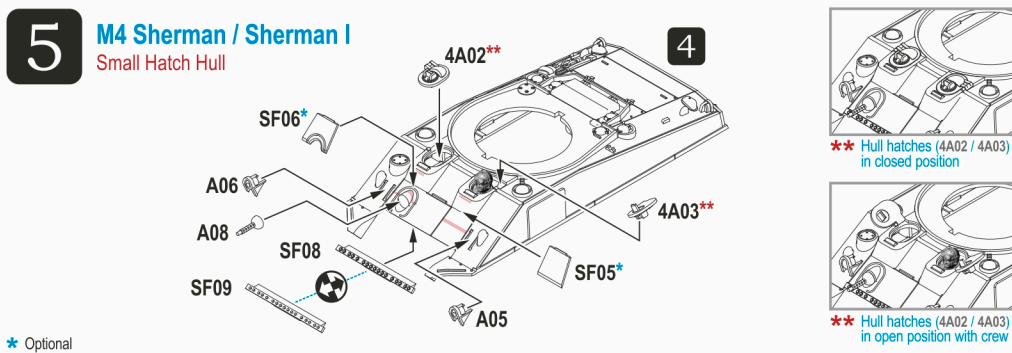
Small Hatch Hull



5

M4 Sherman / Sherman I

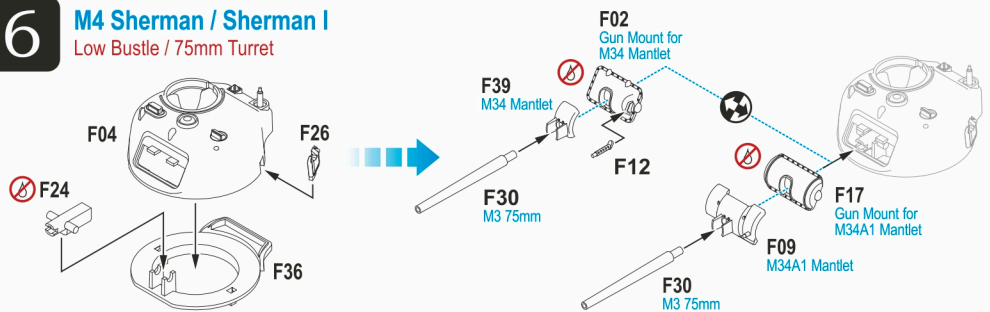
Small Hatch Hull



6

M4 Sherman / Sherman I

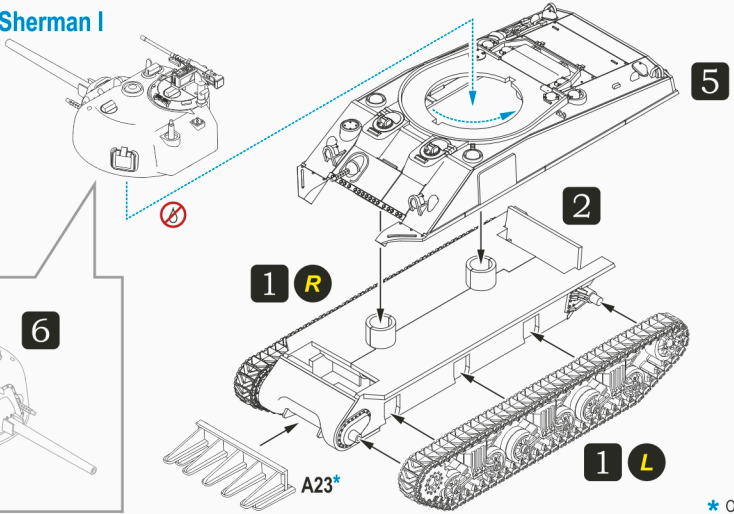
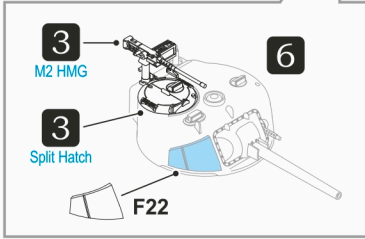
Low Bustle / 75mm Turret



7

M4 Sherman / Sherman I

Small Hatch Hull



* Optional

8

Firefly IC

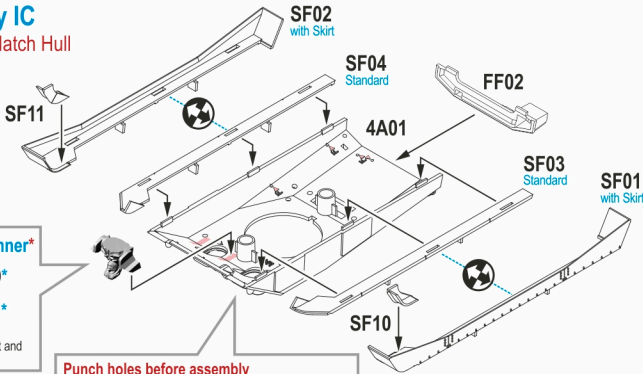
Small Hatch Hull

British Driver & Gunner*



CR09*
+
CR11*

* CR11 & CR05 are different and is not interchangeable!

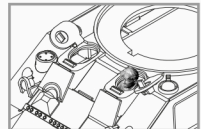
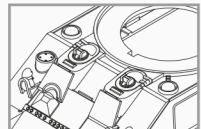
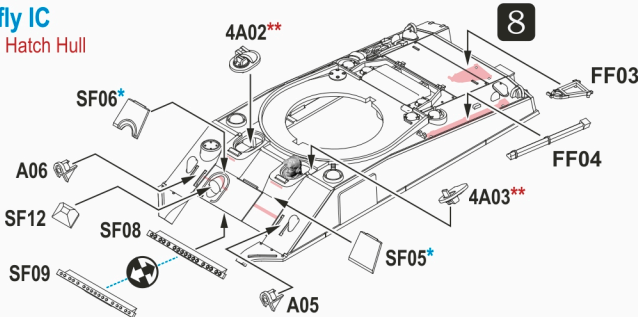


* Optional

9

Firefly IC

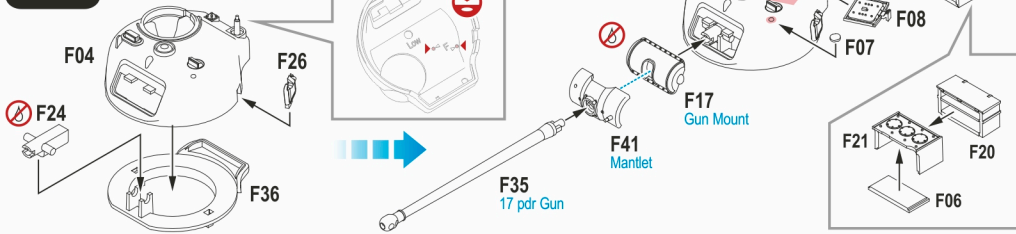
Small Hatch Hull



* Optional

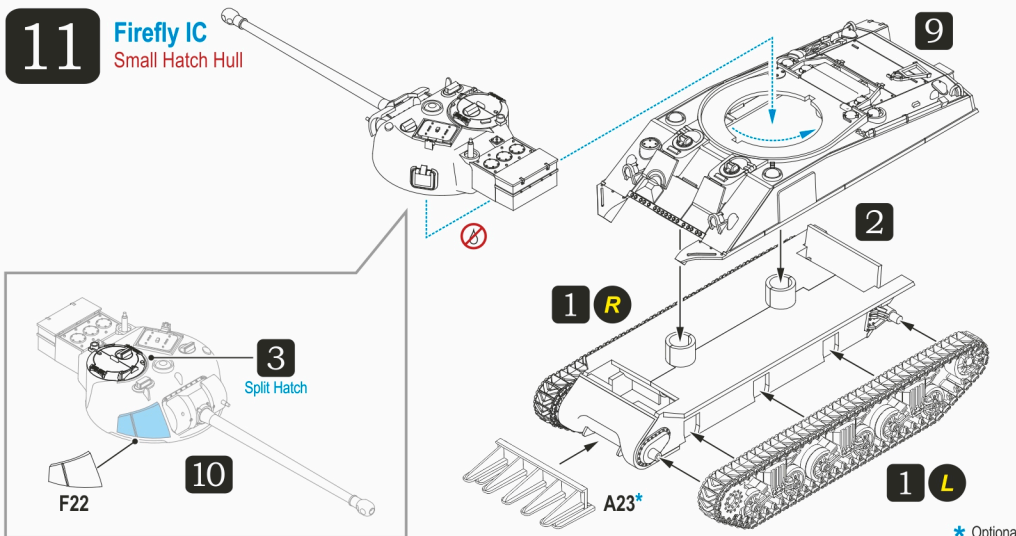
10

Firefly IC Low Bustle / 17pdr Turret



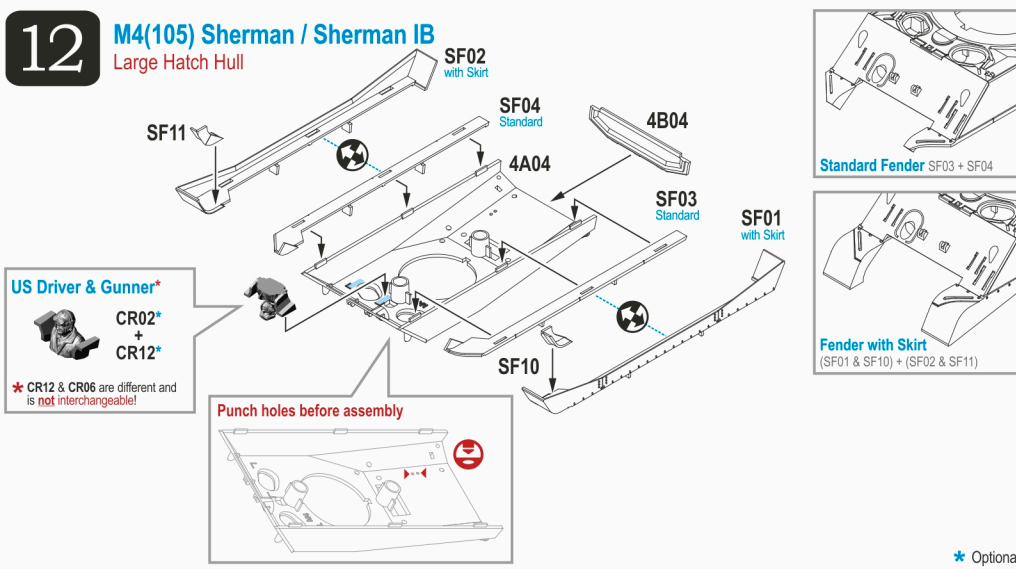
11

Firefly IC Small Hatch Hull



12

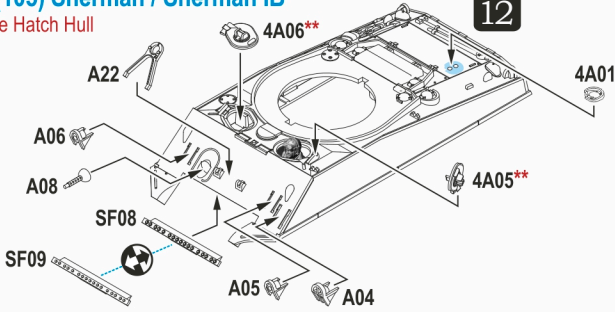
M4(105) Sherman / Sherman IB Large Hatch Hull



13

M4(105) Sherman / Sherman IB

Large Hatch Hull



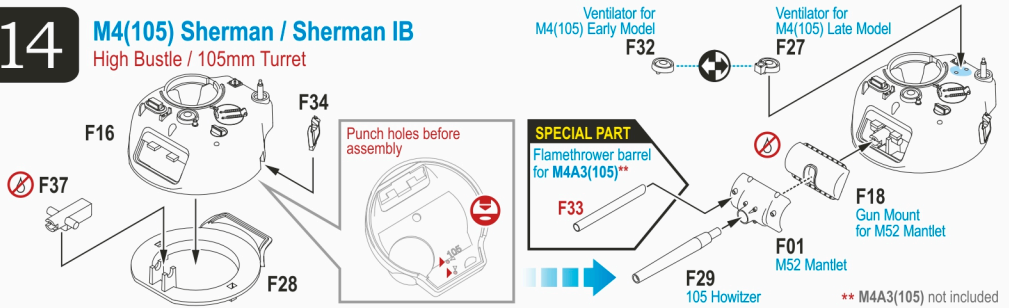
** Hull hatches (4A05 / 4A06) in closed position

** Hull hatches (4A05 / 4A06) in open position with crew

14

M4(105) Sherman / Sherman IB

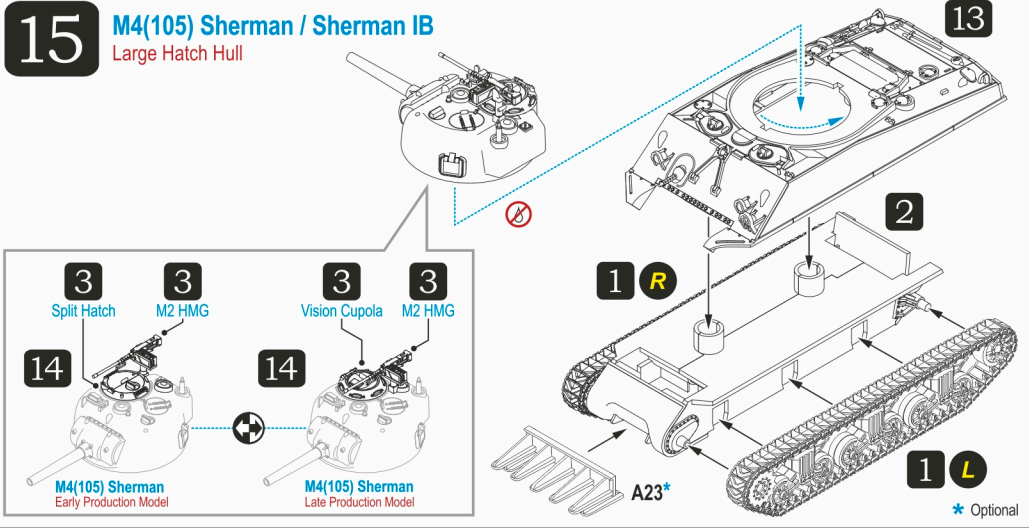
High Bustle / 105mm Turret



15

M4(105) Sherman / Sherman IB

Large Hatch Hull



If you like this M4 Sherman / Firefly IC kit, you might want to visit our Regional Webstores using the following links. For new projects and updates, please visit our official Facebook page at [facebook.com/rubiconmodels](https://www.facebook.com/rubiconmodels).



www.rubiconmodelsasia.com



www.rubiconmodels.co.uk



www.rubiconmodelsusa.com