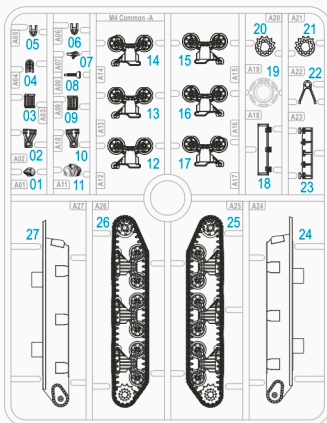




Product Code: 280055

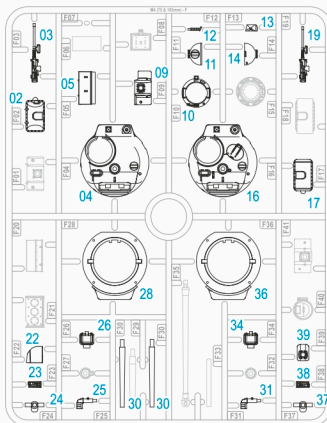
240928-1

**A**

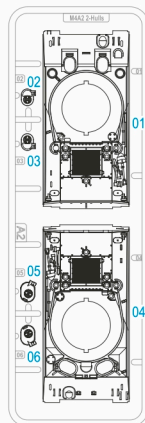


**F**

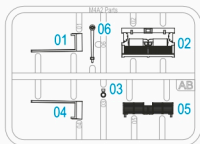
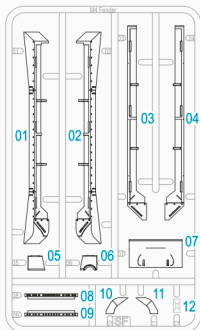
■ Not Used



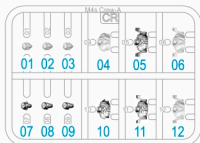
**A2**



▼ **SF**



▼ **CR** ▲ **AB**



**CAUTION**

- When you use glue or paint, do not use near a naked flame, and use in a well ventilated area.

- When assembling this kit, tools including knives are used. Extra care should be taken to avoid personal injury.

- Keep out of reach of small children.

Read carefully and fully understand the instructions before commencing assembly. Model supplied unpainted. Bases, scenery, glue and paint not included. Meaning of symbols used:



Choices



Optional



No glue



Open hole



Bend



Cut or trim with care



Please use **ABS Plastic Cement** for assembly.

**WARNING**

- THIS IS NOT A TOY
- INTENDED FOR COLLECTORS OF AGE 14 AND ABOVE
- CONTAINS SMALL PARTS AND POINTED COMPONENTS
- NOT SUITABLE FOR CHILDREN UNDER 6 YEARS OLD
- MODEL MAY VARY FROM IMAGE ON BOX
- READY TO ASSEMBLE PRECISION MODEL KIT

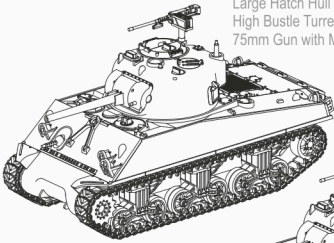


**READ THIS FIRST BEFORE ASSEMBLY STARTS...**

Please study the instruction thoroughly **before** actual assembly. With this kit, you are able to build **FOUR** main variants of the **M4A2 Sherman**. It is also good practice to *test fit* all parts and study all build options *before* gluing them together. This will save you time and frustrations!

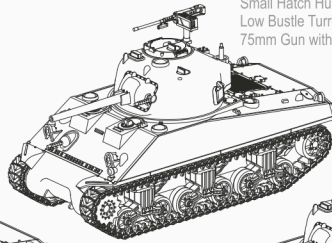
**M4A2**

Large Hatch Hull  
High Bustle Turret  
75mm Gun with M34A1 mantlet



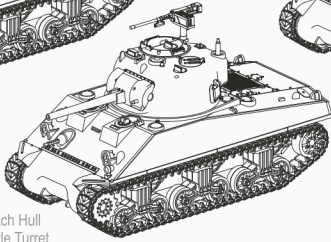
**M4A2**

Small Hatch Hull  
Low Bustle Turret  
75mm Gun with M34 mantlet



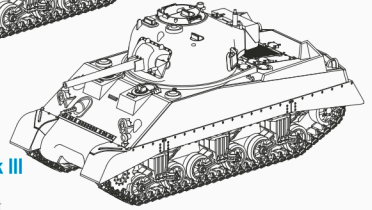
**M4A2**

Small Hatch Hull  
High Bustle Turret  
75mm Gun with M34A1 mantlet



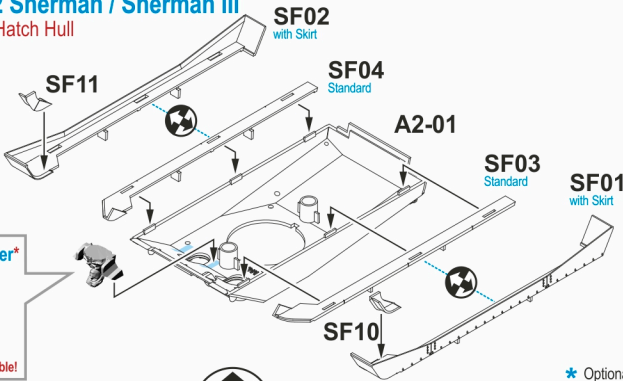
**Sherman Mk III**

Small Hatch Hull  
Low Bustle Turret  
75mm Gun with M34 mantlet



**1a**

**M4A2 Sherman / Sherman III**  
Small Hatch Hull



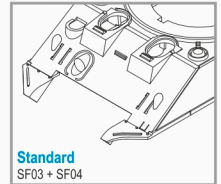
**British Driver & Gunner\***



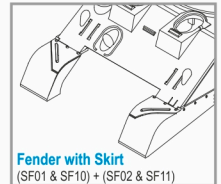
CR09\*  
+  
CR11\*

\* CR11 & CR05 has a different mounting. **Not interchangeable!**

**Fender Choices:**



**Standard**  
SF03 + SF04



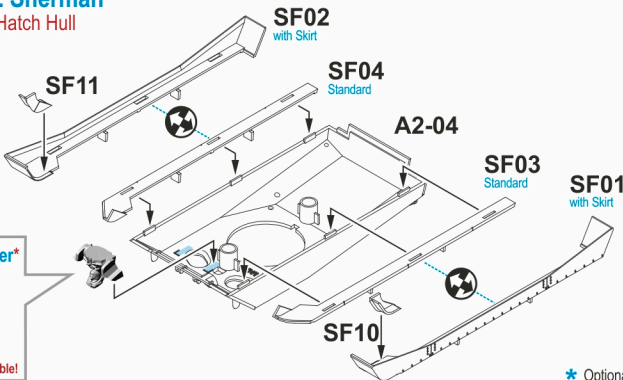
**Fender with Skirt**  
(SF01 & SF10) + (SF02 & SF11)

\* Optional



**1b**

**M4A2 Sherman**  
Large Hatch Hull



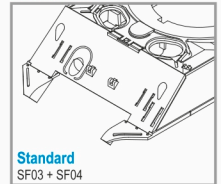
**British Driver & Gunner\***



CR08\*  
+  
CR05\*

\* CR11 & CR05 has a different mounting. **Not interchangeable!**

**Fender Choices:**



**Standard**  
SF03 + SF04



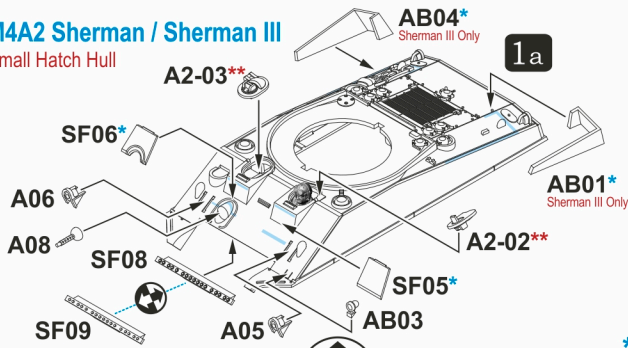
**Fender with Skirt**  
(SF01 & SF10) + (SF02 & SF11)

\* Optional

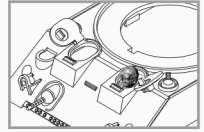
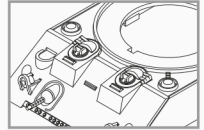
2a

**M4A2 Sherman / Sherman III**

Small Hatch Hull



\*\* Hull hatches (A2-02 / A2-03) in closed or open position



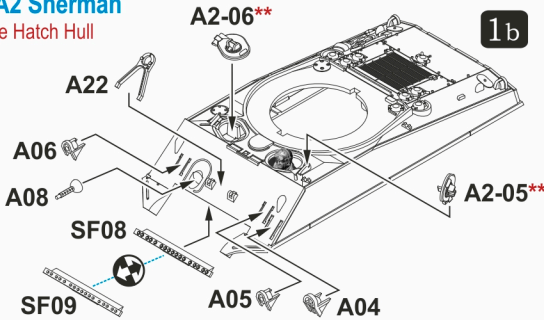
\* Optional



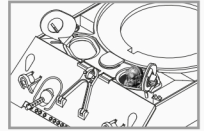
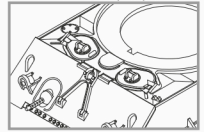
2b

**M4A2 Sherman**

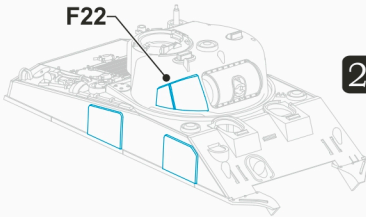
Large Hatch Hull



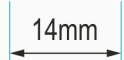
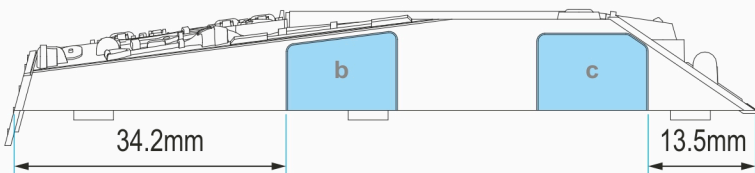
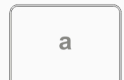
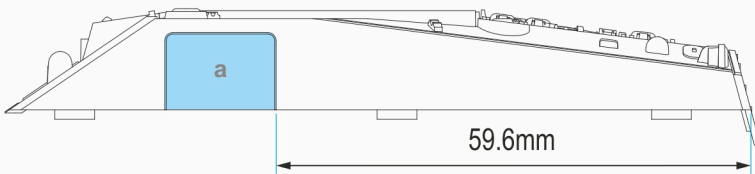
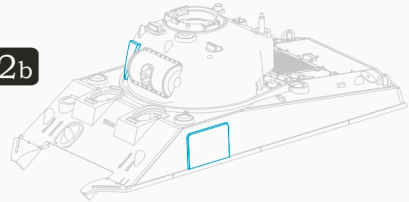
\*\* Hull hatches (A2-05 / A2-06) in closed or open position



**! Template for Extra Appliqué Armour...**  
 For advanced modellers who want some customisation. You can use 0.5mm styrene sheets to reproduce the effects of appliqué armour on the hull. The extra armour (F22) on the turret is already provided.

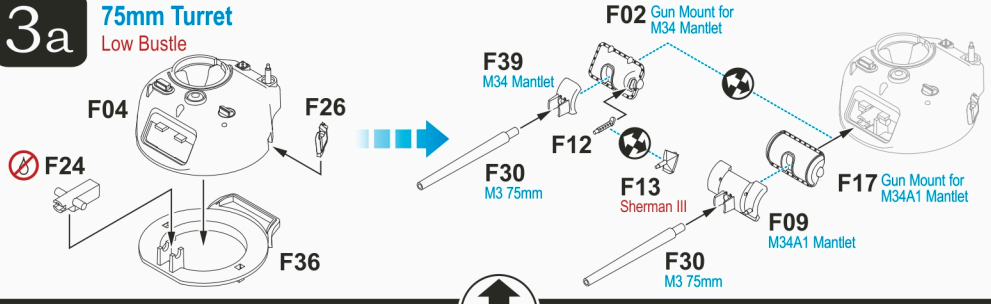


2a ↔ 2b



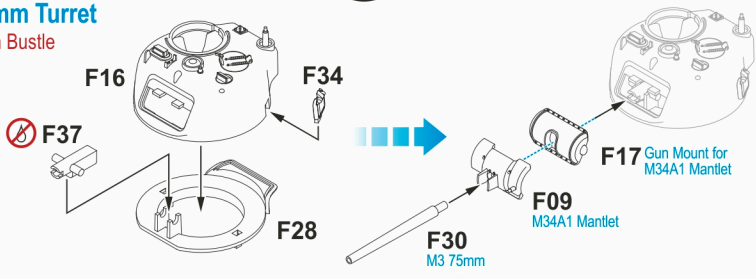
# 3a

## 75mm Turret Low Bustle

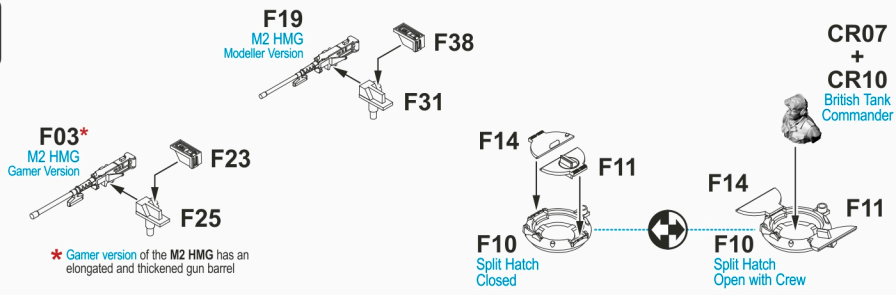


# 3b

## 75mm Turret High Bustle

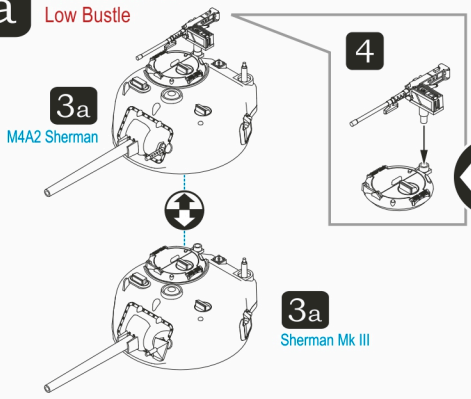


# 4



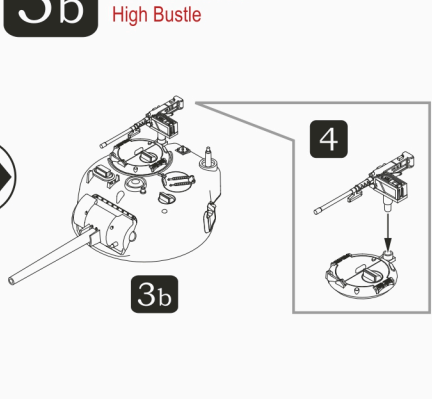
# 5a

## 75mm Turret Low Bustle

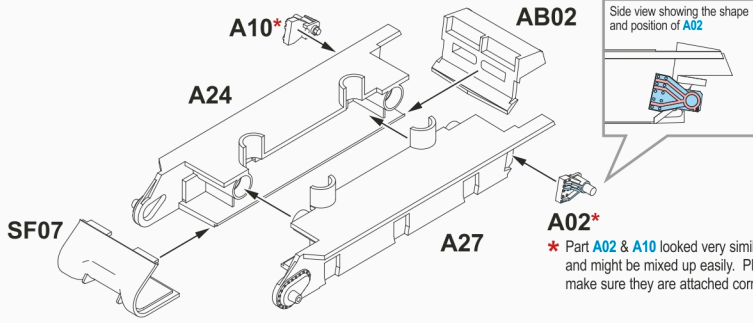


# 5b

## 75mm Turret High Bustle

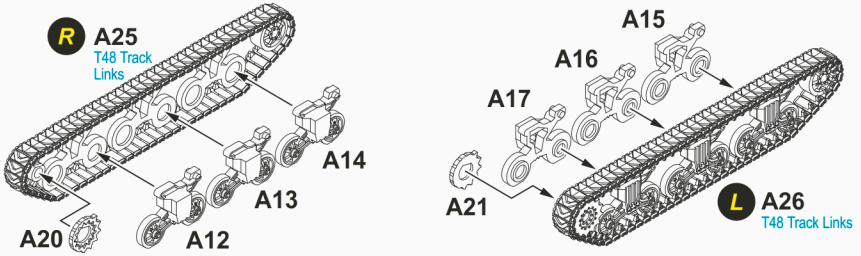


# 6



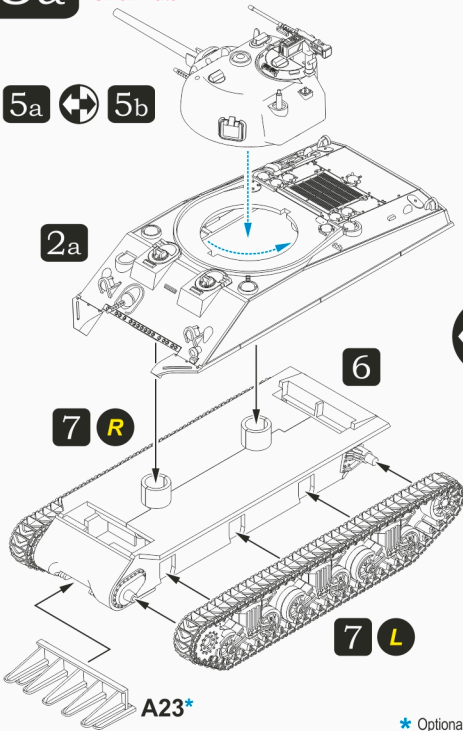
\* Part A02 & A10 looked very similar and might be mixed up easily. Please make sure they are attached correctly.

# 7



# 8a

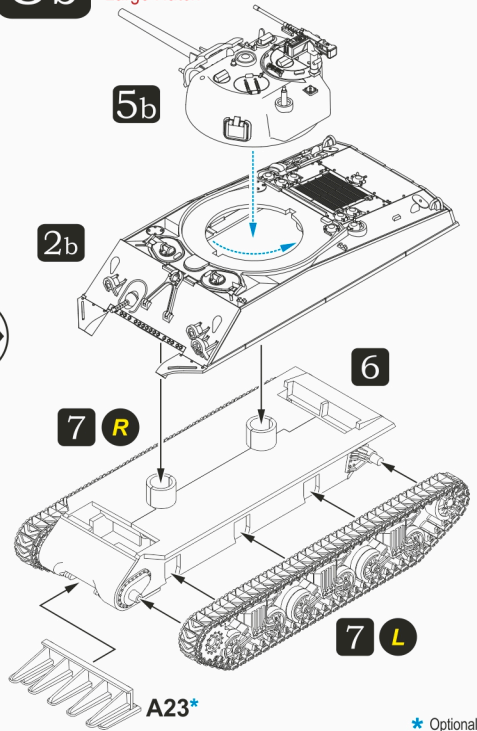
M4A2 Sherman / Sherman Mk III  
Small Hatch



\* Optional

# 8b

M4A2 Sherman  
Large Hatch



\* Optional