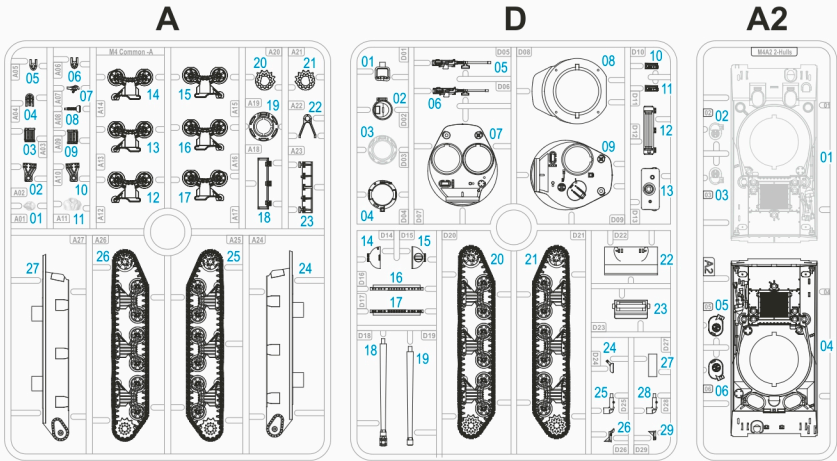


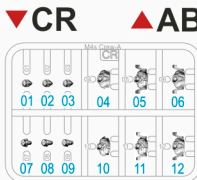
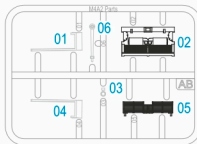
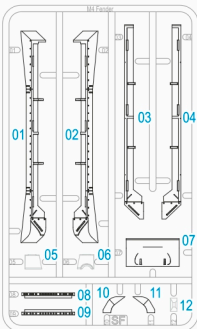


Product Code: 280054

240928-2



▼SF



CAUTION

- When you use glue or paint, do not use near a naked flame, and use in a well ventilated area.
- When assembling this kit, tools including knives are used. Extra care should be taken to avoid personal injury.
- Keep out of reach of small children.

Read carefully and fully understand the instructions before commencing assembly. Model supplied unpainted. Bases, scenery, glue and paint not included. Meaning of symbols used:

- Choices
- Optional
- No glue
- Open hole
- Bend
- Cut or trim with care
- Please use **ABS Plastic Cement** for assembly.

WARNING

- THIS IS NOT A TOY
- INTENDED FOR COLLECTORS OF AGE 14 AND ABOVE
- CONTAINS SMALL PARTS AND POINTED COMPONENTS
- NOT SUITABLE FOR CHILDREN UNDER 6 YEARS OLD
- MODEL MAY VARY FROM IMAGE ON BOX
- READY TO ASSEMBLE PRECISION MODEL KIT

1

D05*
M2 HMG
Gamer Version

D06
M2 HMG
Modeller Version

* For gaming use with a thickened gun barrel

D10

D25

D11

D28



D23

D27

D18

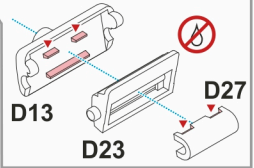
M1 76mm
with Muzzle Brake

D19

M1 76mm

D13

M62 Mantlet



D13

D23



D27

2

D14

D15



D04

Split Hatch

D02

A19*
Vision Cupola

* The "tab" can easily be removed to fit a full body figure inside



D02



A19
Vision Cupola

CR07 + CR10

Commonwealth
Tank Commander

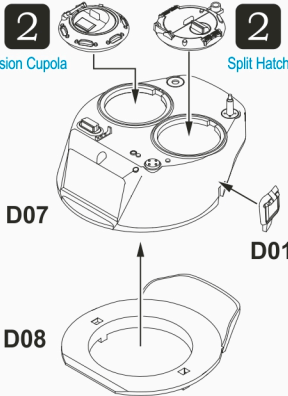
READ THIS FIRST

To enjoy building this kit, **PLEASE STUDY** the instruction thoroughly before actual assembly.

It is a very good practice to test fit all parts and study all the options before gluing them together. This will save you time and frustrations.

3a

T23 Turret
Early Production

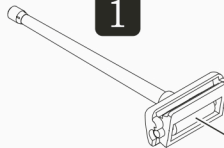


D07

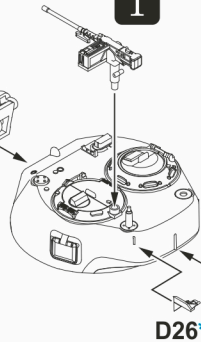
D01

D08

1



1



D29*

D24*

D26*

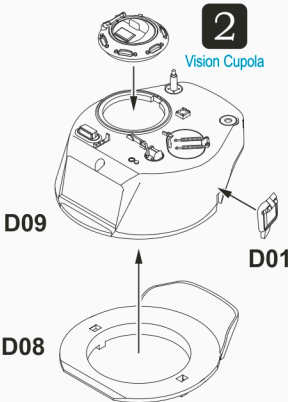
* Optional



D26 **D29** For modellers, the shaded area can be trimmed off before assembly.

3b

T23 Turret
Late Production

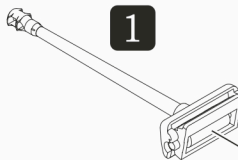


D09

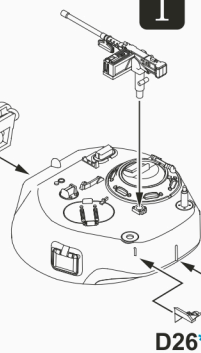
D01

D08

1



1



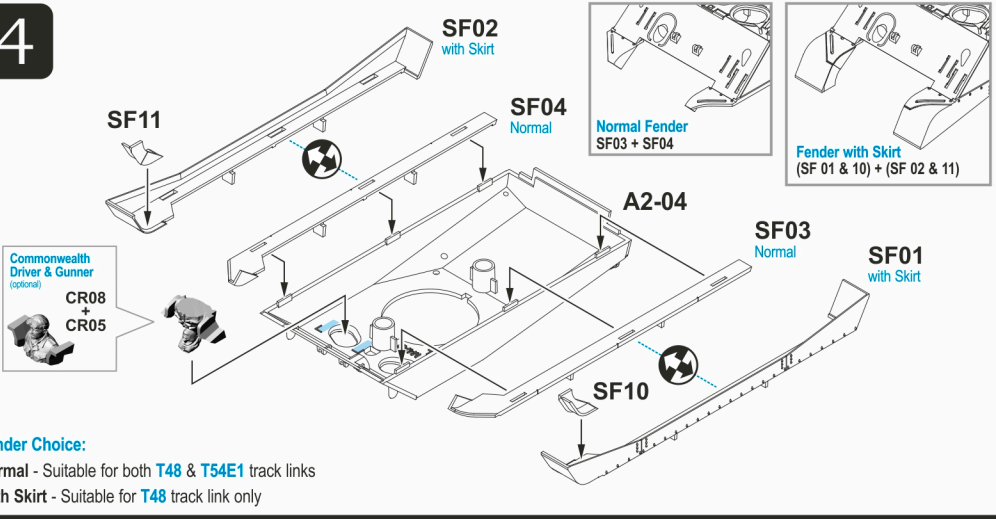
D29*

D24*

D26*

* Optional

4

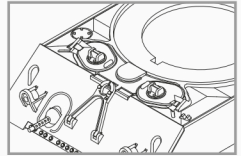
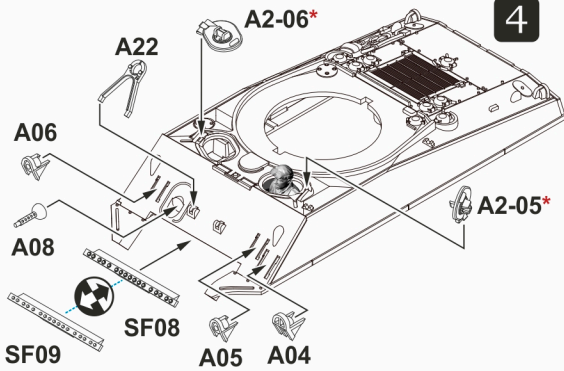


Fender Choice:

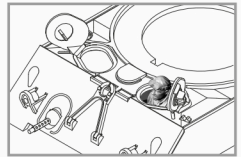
Normal - Suitable for both **T48** & **T54E1** track links

With Skirt - Suitable for **T48** track link only

5

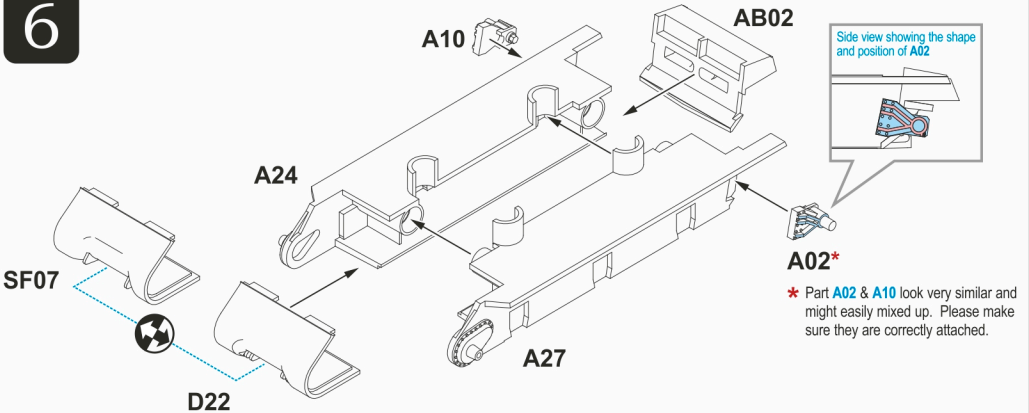


* Hull hatches (**A2-05 / A2-06**) in closed position



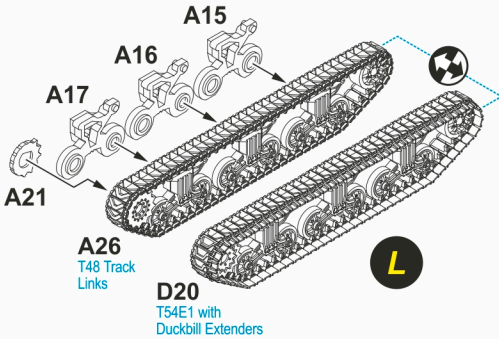
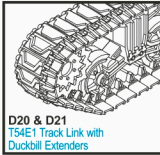
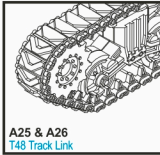
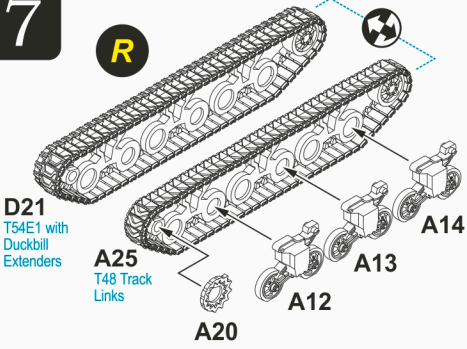
* Hull hatches (**A2-05 / A2-06**) in open position with crew

6

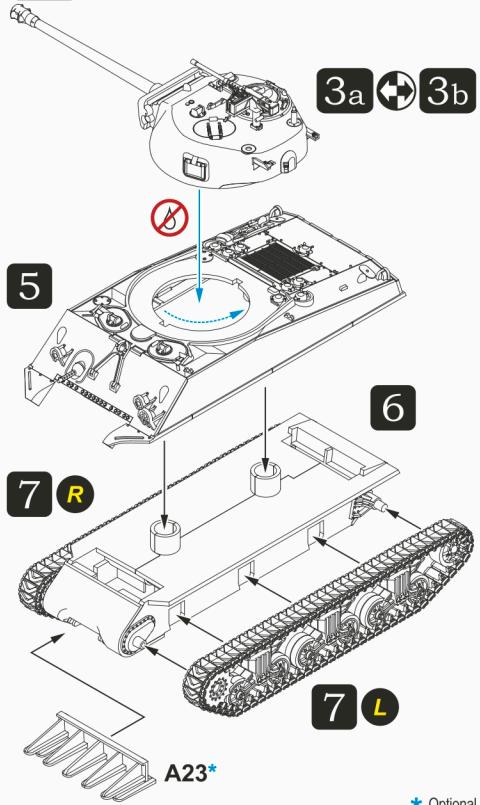


* Part **A02** & **A10** look very similar and might easily be mixed up. Please make sure they are correctly attached.

7

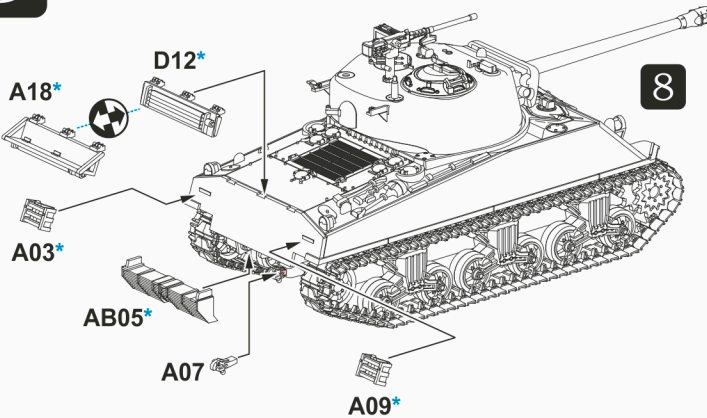
R

8

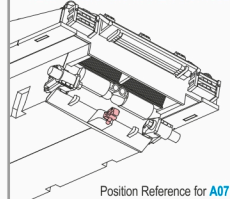
3a**3b**

* Optional

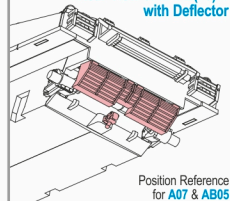
9



Rear View of the M4A2(76)W Hull



Rear View of M4A2(76)W with Deflector



* Optional