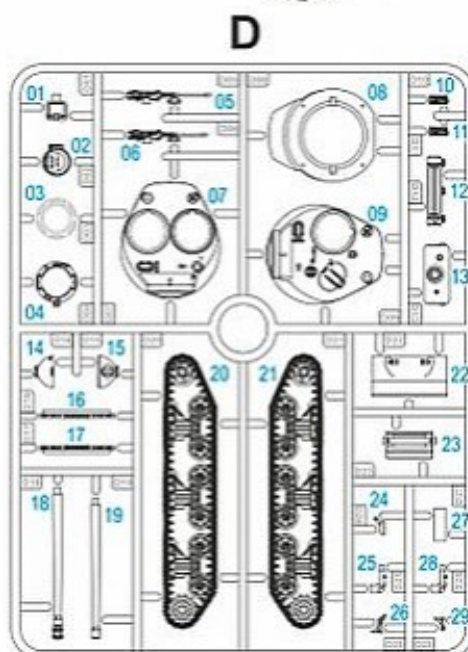
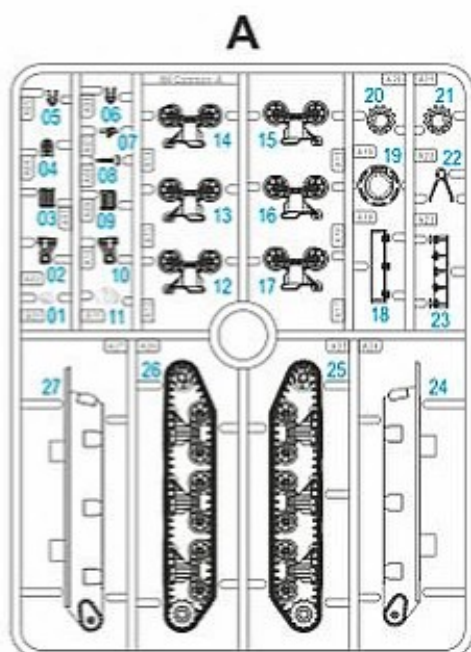
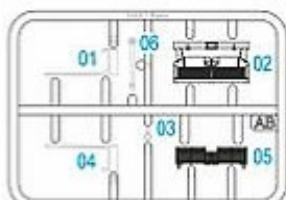
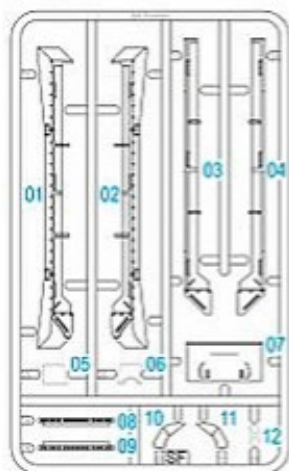


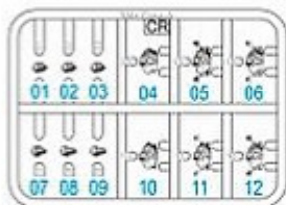
Product Code: 280054



▼SF



▼CR ▲AB



CAUTION

- When you use glue or paint, do not use near a naked flame, and use in a well ventilated area.
- When assembling this kit, tools including knives are used. Extra care should be taken to avoid personal injury.
- Keep out of reach of small children.

Read carefully and fully understand the instructions before commencing assembly. Model supplied unpainted. Bases, scenery, glue and paint not included. Meaning of symbols used:



Choices



Optional



No glue



Open hole



Bend



Cut or trim with care

WARNING:

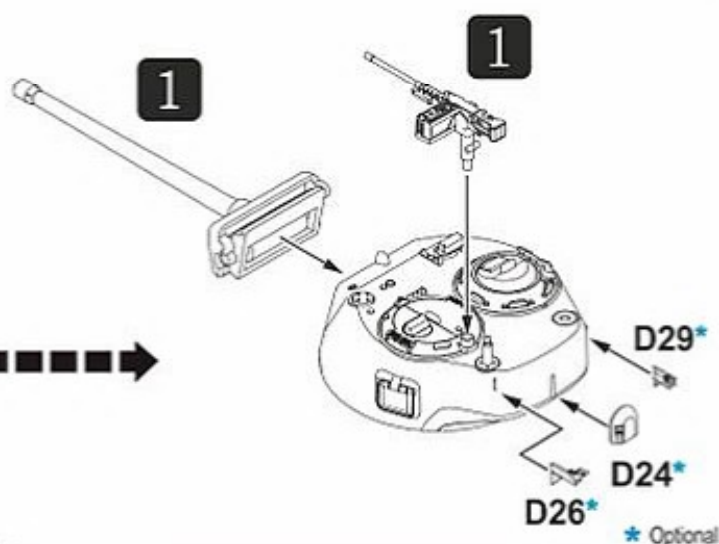
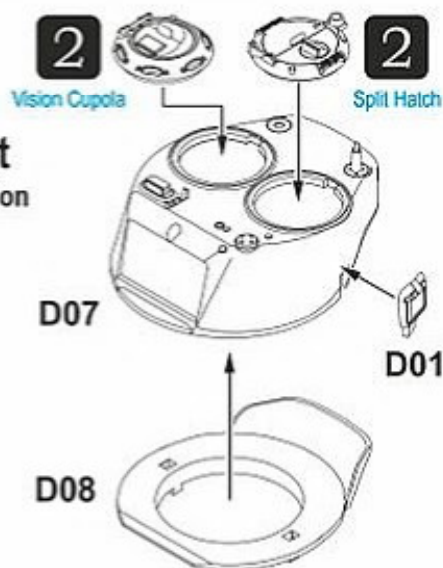
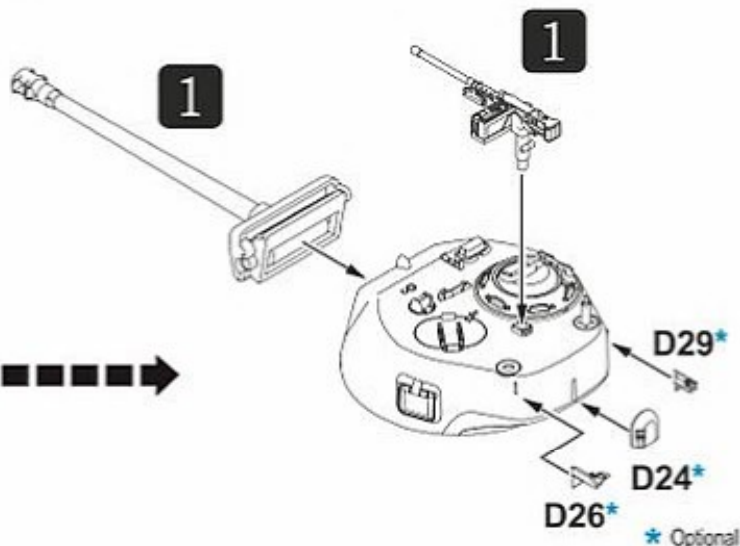
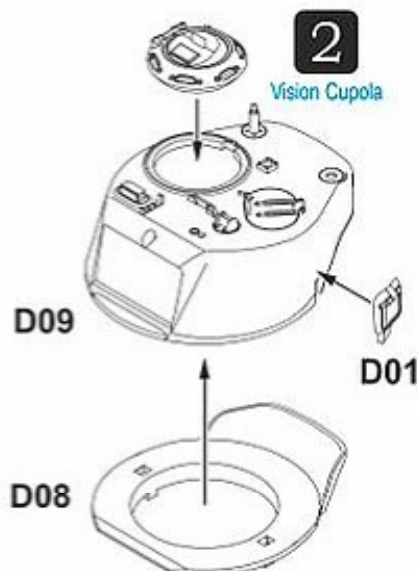
Contains small parts which may be hazardous to children under 14 years of age.



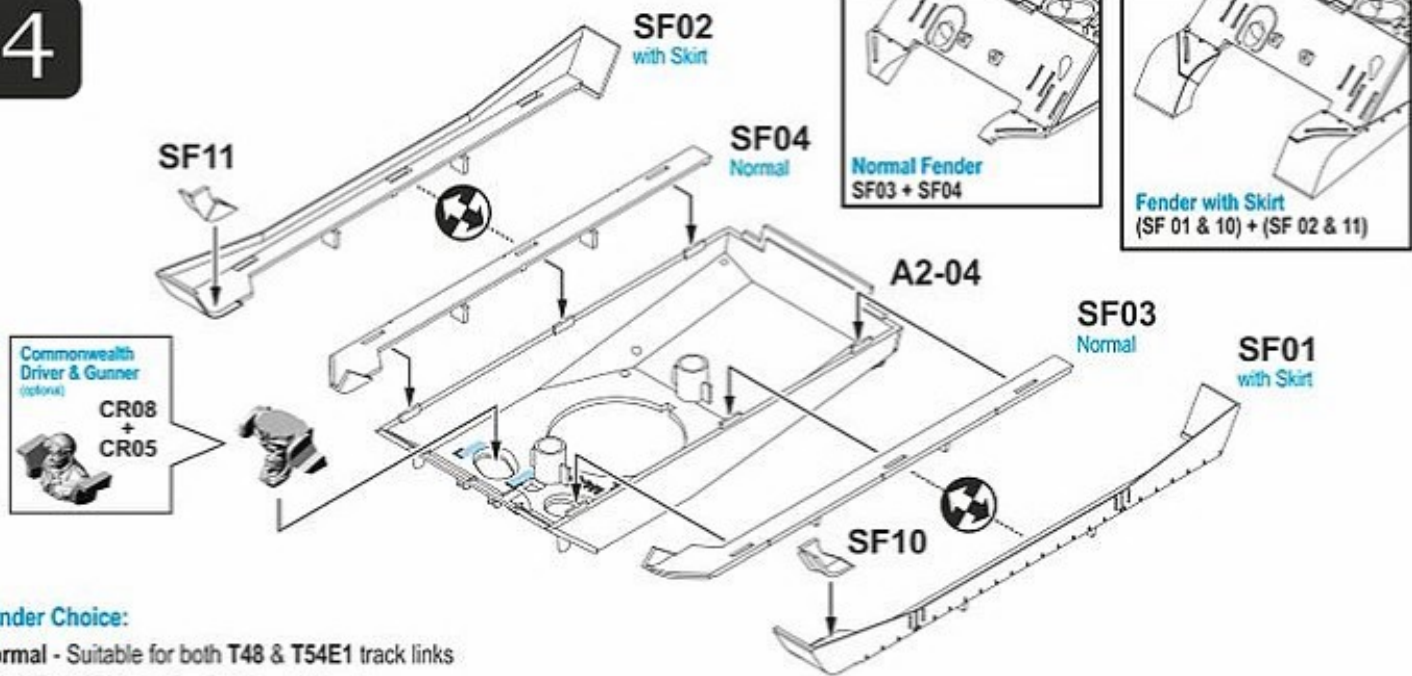
1**2****READ THIS FIRST**

To enjoy building this kit, **PLEASE STUDY** the instruction thoroughly before actual assembly.

It is a very good practice to test fit all parts and study all the options before gluing them together. This will save you time and frustrations.

3a**T23 Turret
Early Production****3b****T23 Turret
Late Production**

4

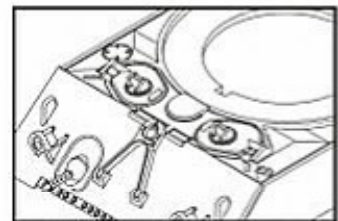
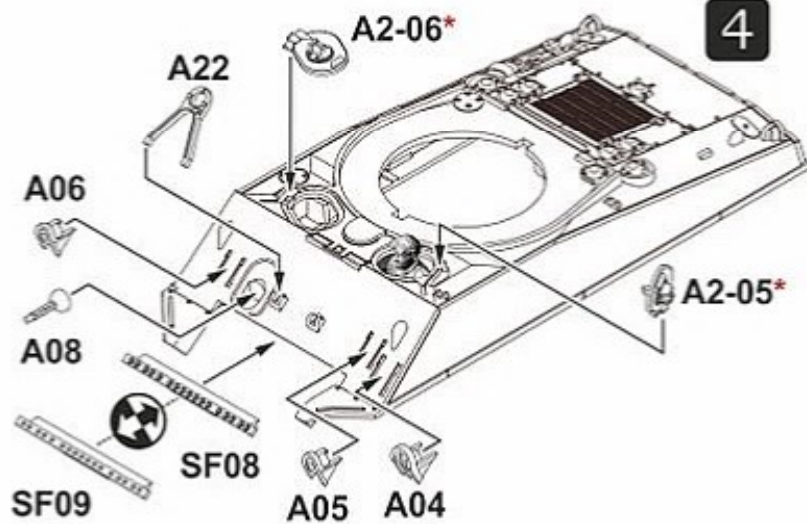


Fender Choice:

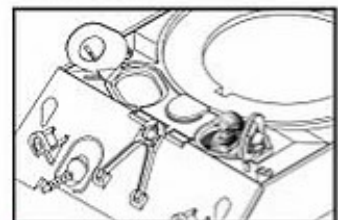
Normal - Suitable for both T48 & T54E1 track links

With Skirt - Suitable for T48 track link only

5

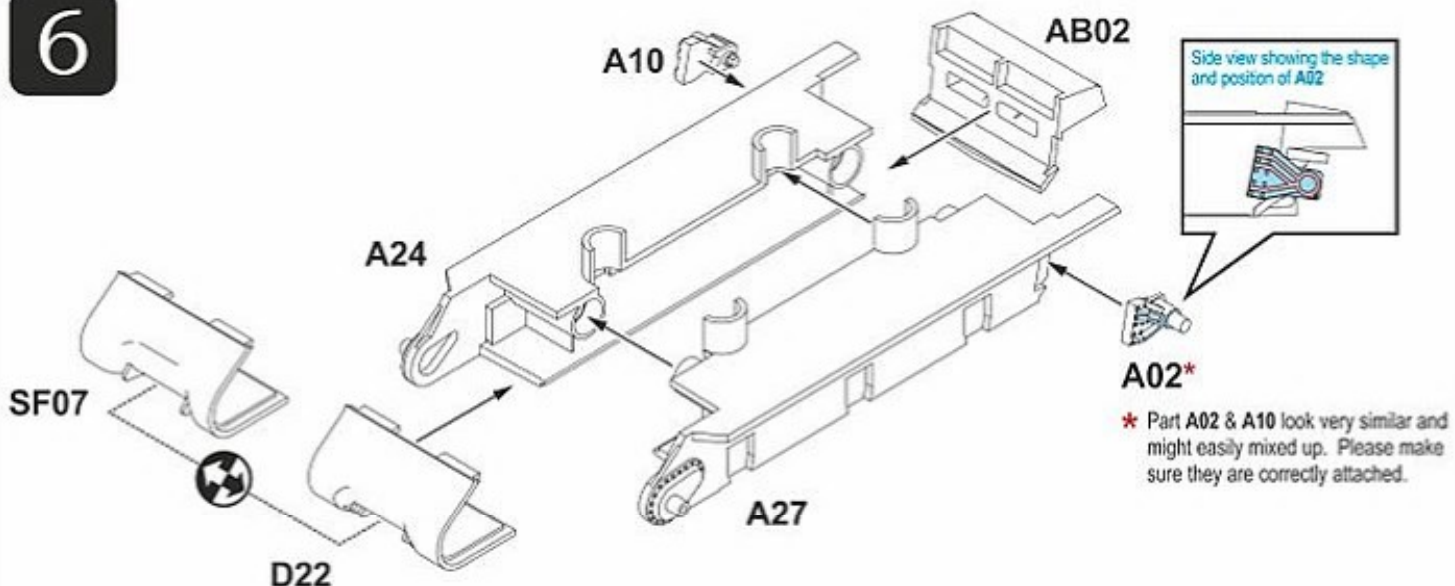


* Hull hatches (A2-05 / A2-06) in closed position



* Hull hatches (A2-05 / A2-06) in open position with crew

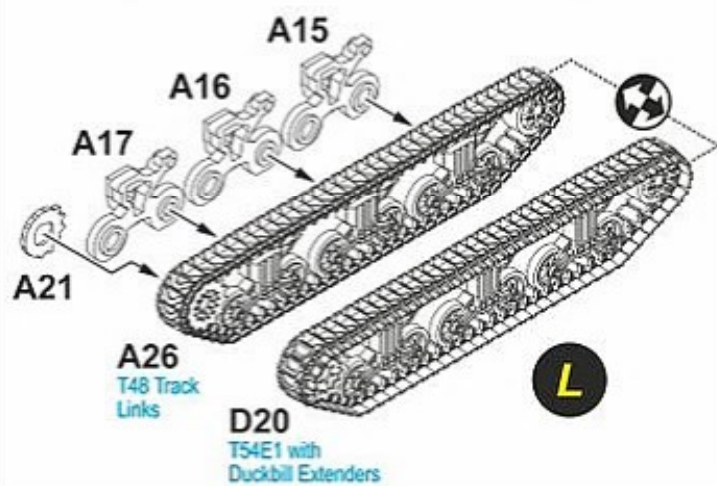
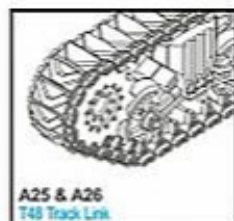
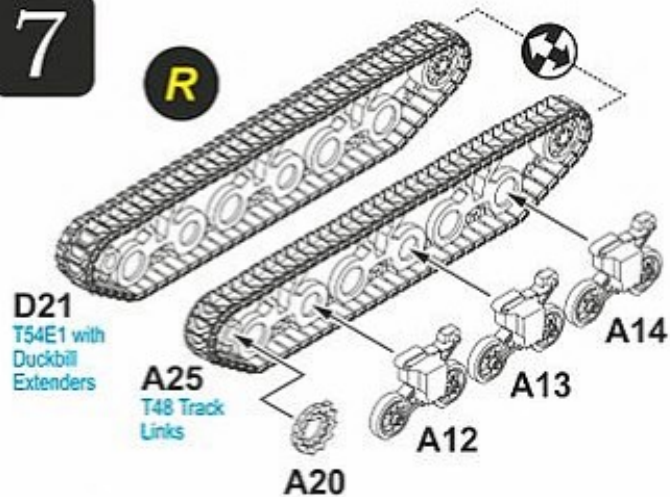
6



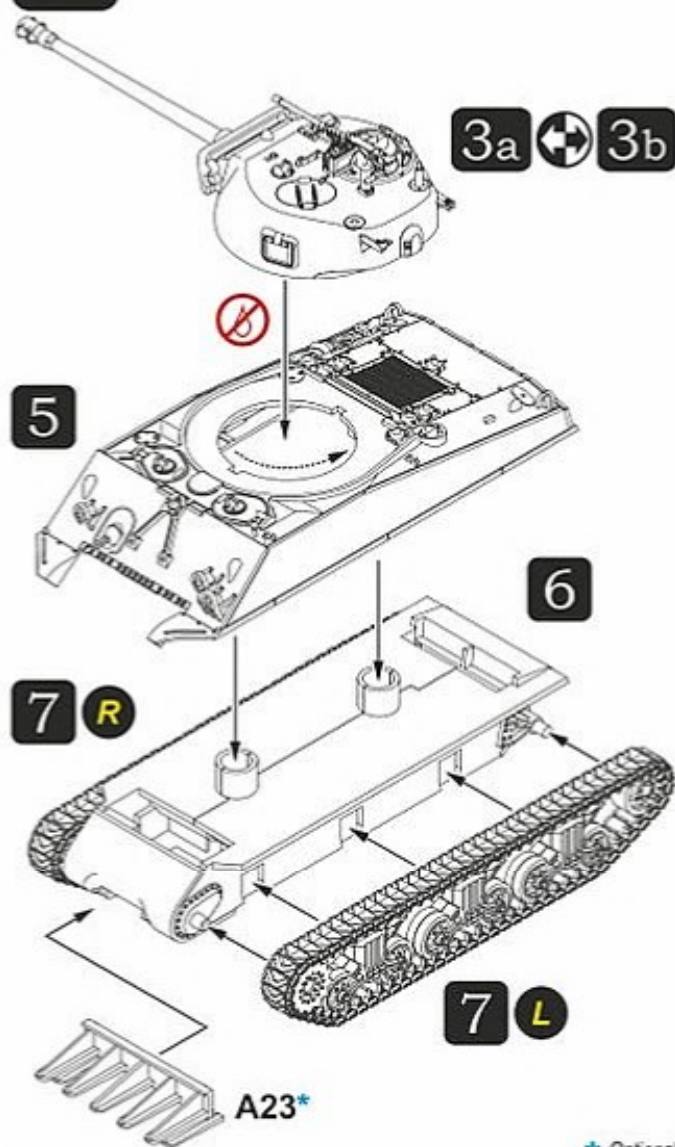
* Part A02 & A10 look very similar and might easily mixed up. Please make sure they are correctly attached.

7

R

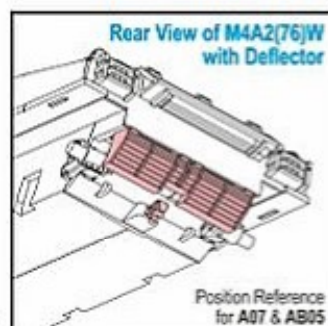
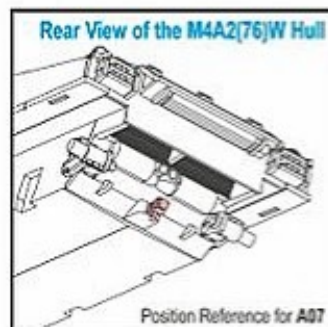
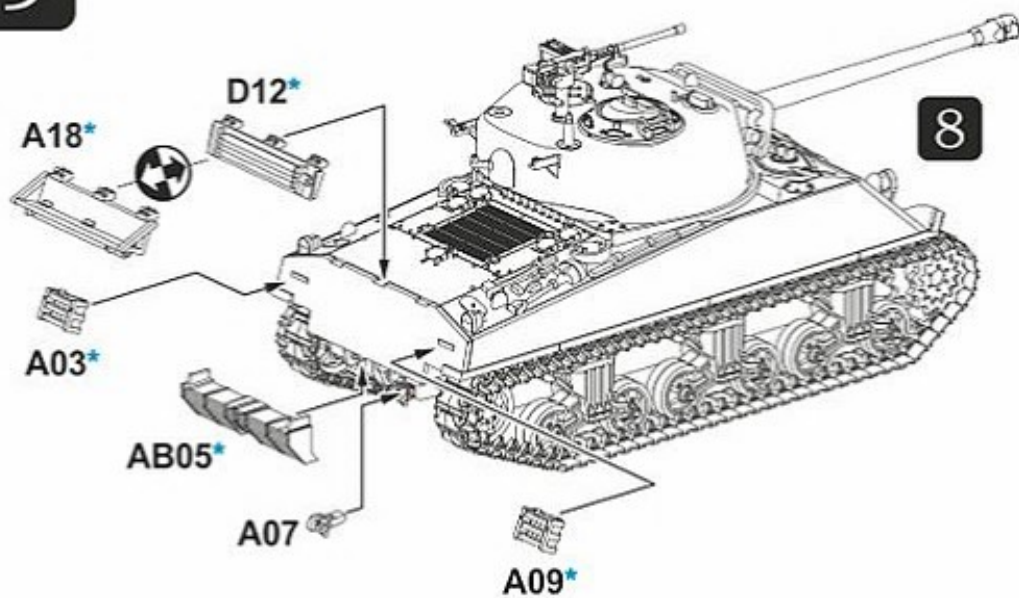


8



* Optional

9



* Optional