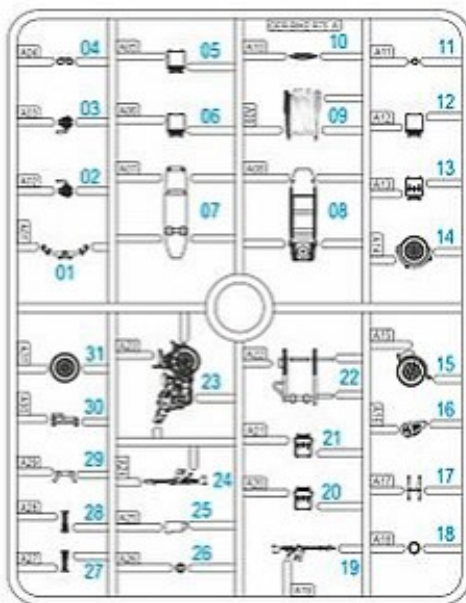


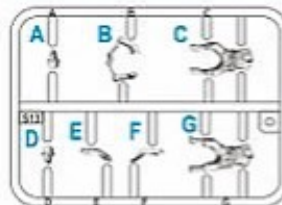


Product Code: 280051 & 280052
Revision: 200503-1

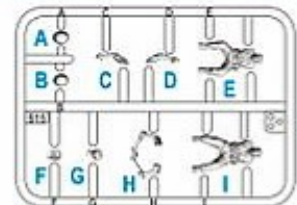


A

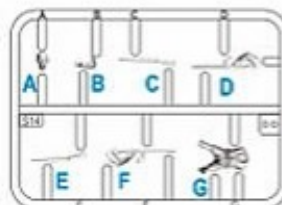
This instruction sheet covers assembly for both 280051 and 280052



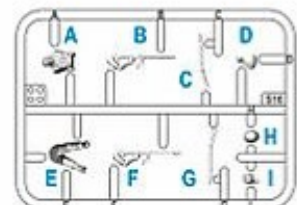
S13 & S14
for ETO Crew (280051)



S15 & S16
for DAK Crew (280052)



S13 & S14
for ETO Crew (280051)



S15 & S16
for DAK Crew (280052)



- When you use glue or paint, do not use near a naked flame, and use in a well-ventilated area.
- When assembling this kit, tools including knives are used. Extra care should be taken to avoid personal injury.
- Keep out of reach of small children.

Read carefully and fully understand the instructions before commencing assembly. Model supplied unpainted. Bases, scenery, glue and paint not included. Meaning of symbols used:



Choices



Optional



No glue



Drill hole



Bend



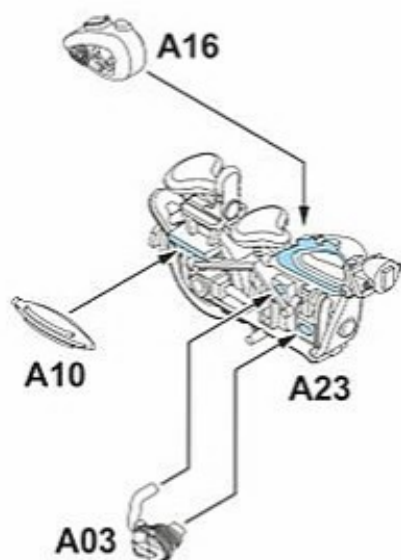
Cut or trim
with care

Please use **ABS Plastic Cement** for our products.

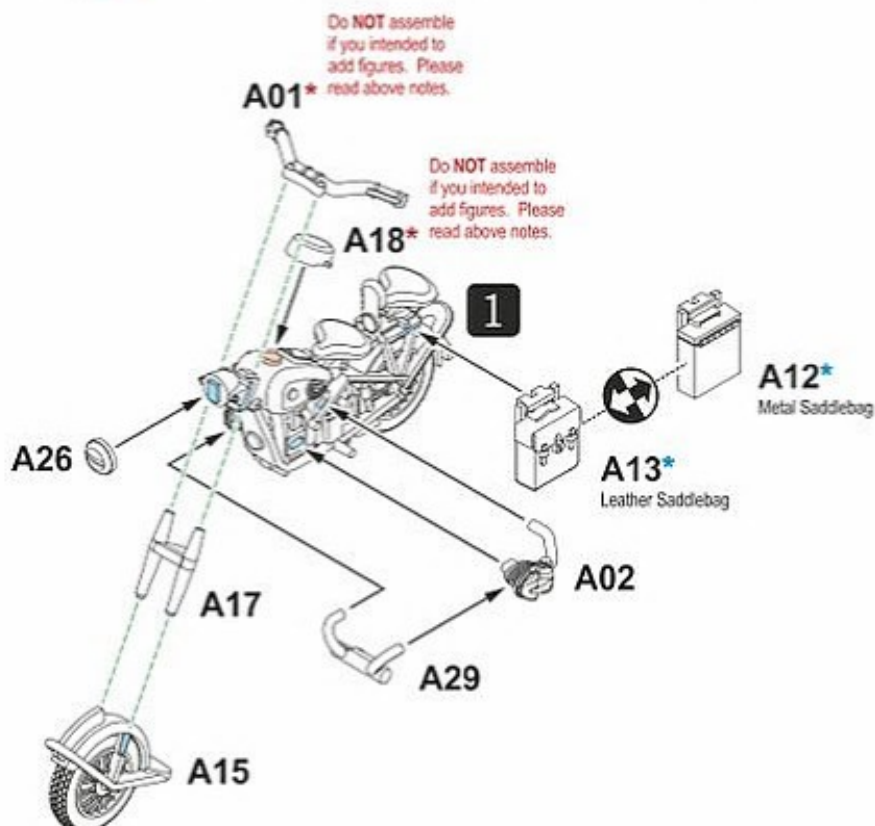
WARNING:

Contains small parts which may be hazardous to children under 14 years of age.



1**2****READ THIS FIRST BEFORE STARTING THIS STEP**

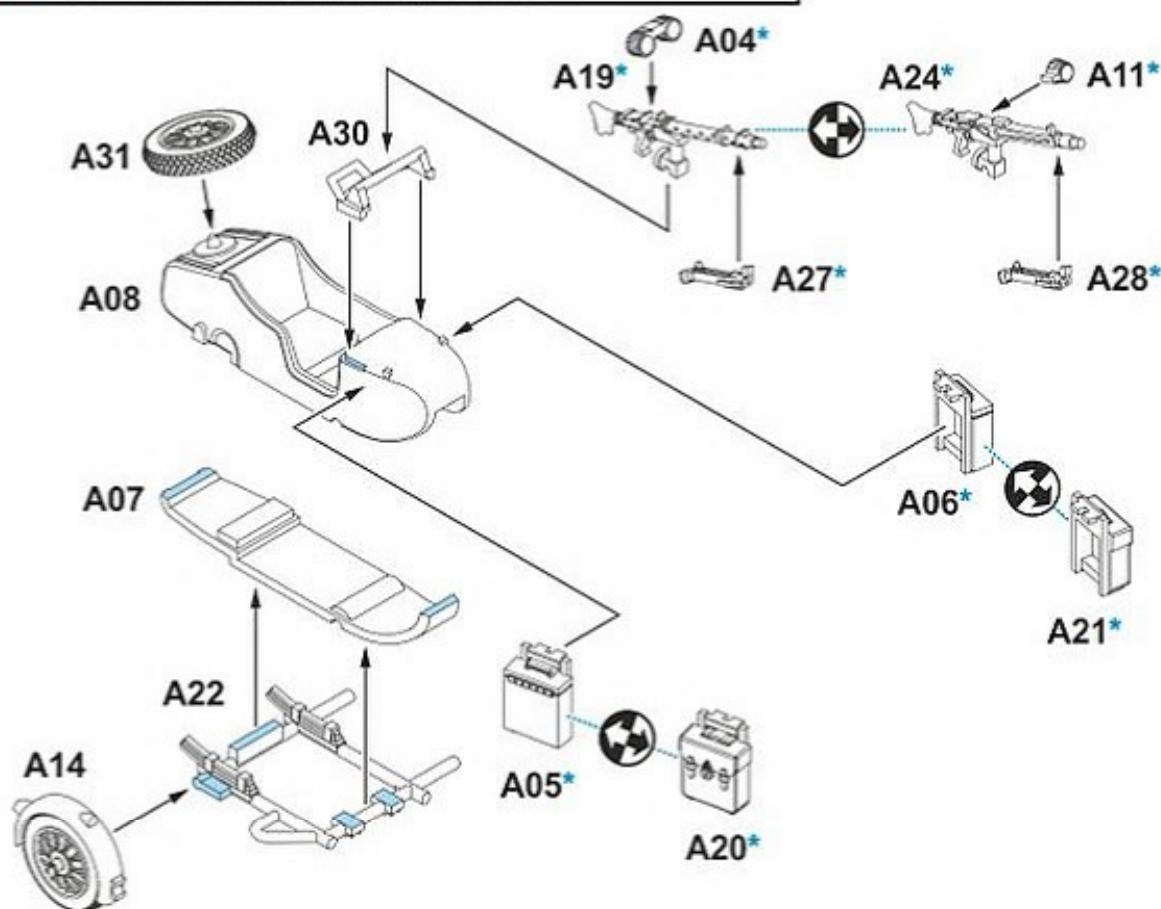
Do not install **A01** & **A18** if you intend to assemble figures with the motorcycle. **A01** is the handlebar and **A18** is the auxiliary air filter assembly.



* Optional

3**READ THIS FIRST BEFORE STARTING THIS STEP**

Do not install the MG34 (**A19+A04+A27**) or MG42 (**A24+A11+A28**) machine gun if you intend to install a MG gunner on the sidecar.

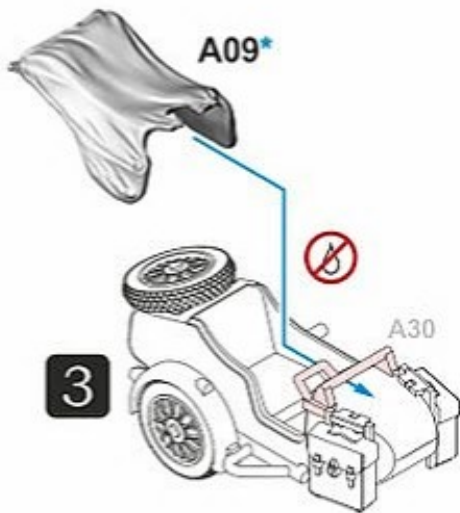


* Optional

4


Sidecar Canvas Tilt (optional)

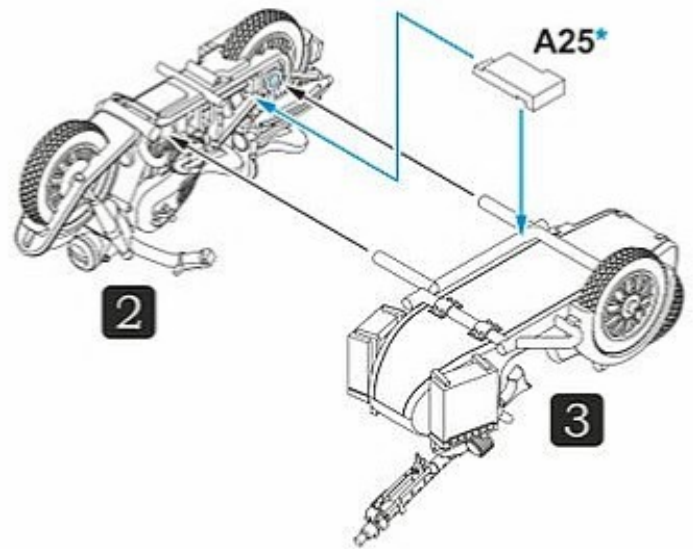
The canvas tilt **A09** can be inserted underneath the MG mount **A30** *without glue*. An option you can use if you do not want to have a MG gunner installed.



5


For Tabletop Game Use (optional)

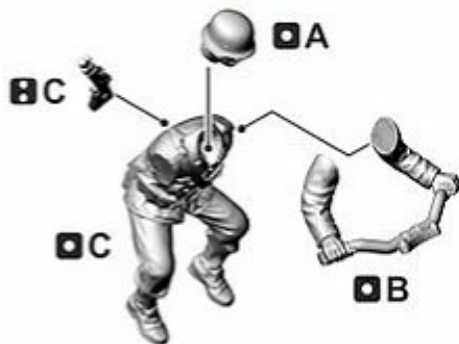
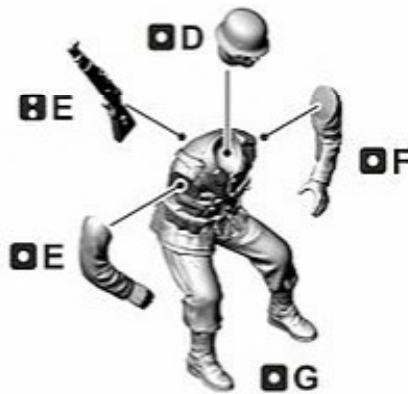
A25 is an **optional piece** that can be used to reinforce the connection between the bike and the sidecar when you are using the model for gaming without a base.

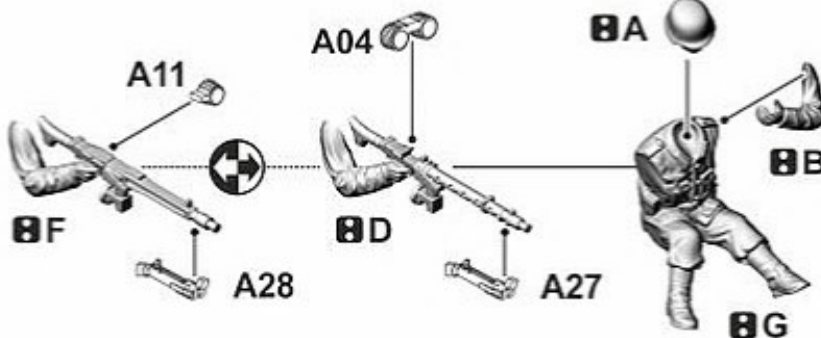


6


European Theatre Motorcycle Crew (280051)

For DAK Motorcycle Crew, please skip this step and proceed to **7**.

Motorcycle Driver

Back Seat Rider

Assembled Poses

Sidecar Gunner


If you like this Rubicon Models kit, you might want to look at our **German Storage Set 1 (280022)** accessories kit. An excellent companion product for your new bike!


Social Media

Website: www.rubiconmodels.com

Forum: forum.rubiconmodels.com

www.facebook.com/rubiconmodels

www.youtube.com/channel/rubiconmodels

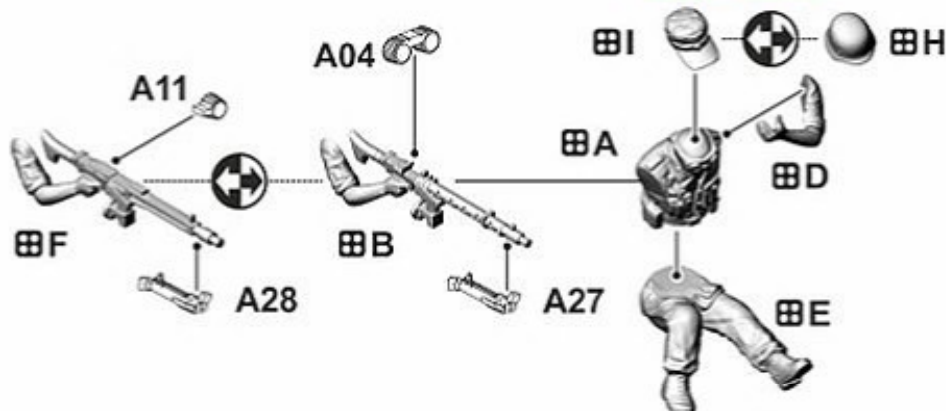
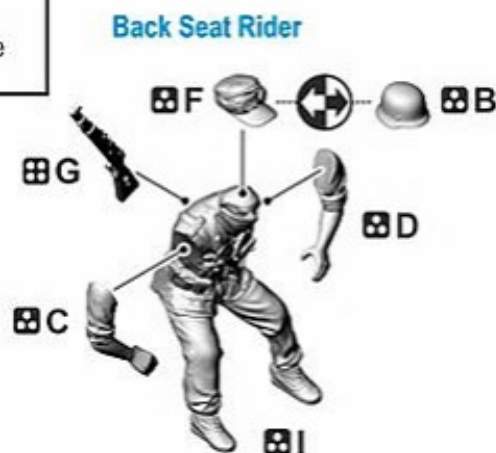
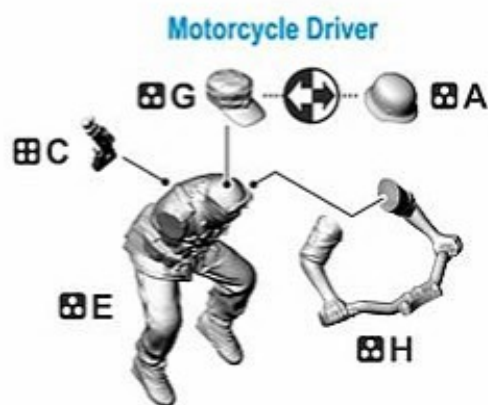
Rubicon Models Community

www.facebook.com/groups/rubiconmodelscommunity

7


DAK Motorcycle Crew (280052)

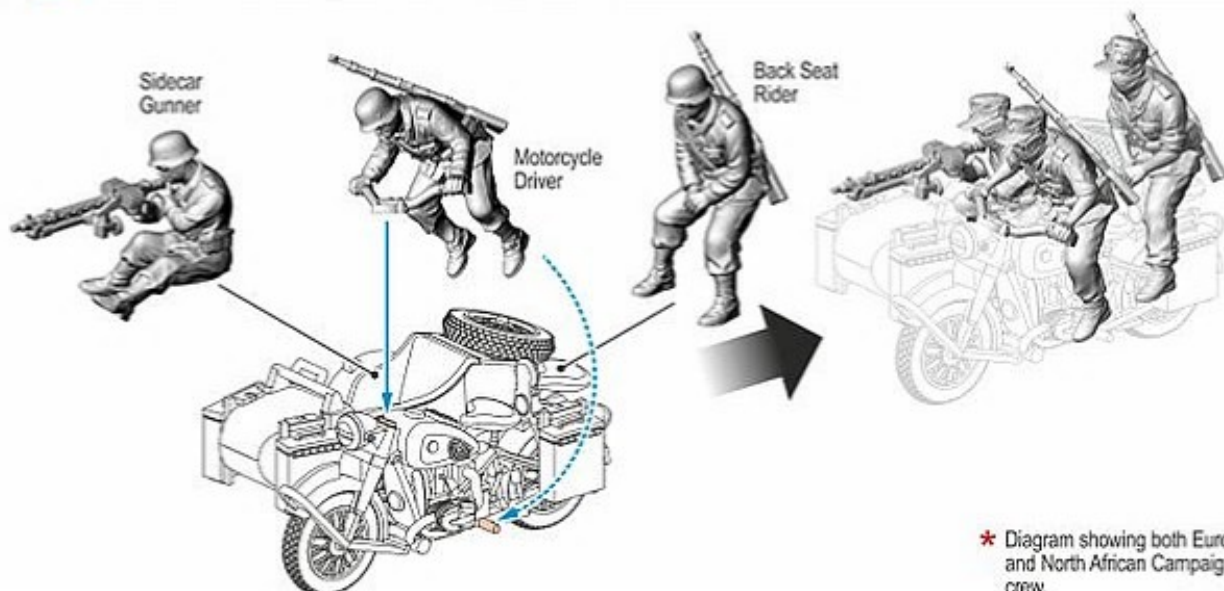
For Early War Motorcycle Crew, please go back to previous step 6.


Assembled Poses


8


Final Crew Assembly*

Pay special attention to the driver - Align the handlebar to the motorcycle first, then rotate the driver's feet towards the footrest. Attached the rest of the figures to the motorcycle as shown.



* Diagram showing both European Theatre and North African Campaign motorcycle crew.

SdKfz 250/251 Expansion Sets

 These 4 Base Kits offer you multiple expansion sets including ambulance, rocket launcher, command and communications, flammer, PaK AT-guns, heavy AT rifle, mortar, howitzer, and autocannon. Visit our website at www.rubiconmodels.com for more product info...


280031 SdKfz 251/1 Ausf C



280018 SdKfz 251/1 Ausf D



280032 SdKfz 250/1 Alte



280038 SdKfz 250/1 Neu