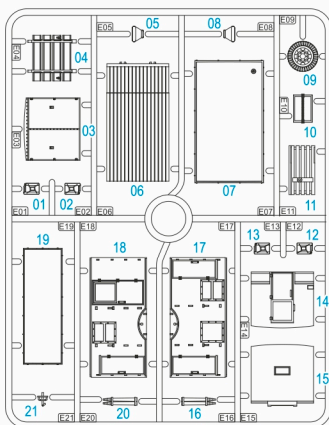


Product Code: 280047
170510-2



E

IMPORTANT: Read This First Before Proceeding...

This is an **Expansion Set** and requires a **BASE KIT** to assemble a complete model.

This particular set enables you to build a **Box Body** (Einheitskoffer) for either a Blitz or Maultier truck. You will need the following base kits to finish the model:

- 280026 SdKfz 305 Blitz → SdKfz 305 with Box Body
- 280046 SdKfz 3a Maultier → SdKfz 3a with Box Body

The **Einheitskoffer (Box Body)** is just one of the expansion sets we have created for your collections.

For more information, please visit our regional webstores or visit our official **Facebook** page at www.facebook.com/rubiconmodels.



- When you use glue or paint, do not use near a naked flame, and use in a well-ventilated area.
- When assembling this kit, tools including knives are used. Extra care should be taken to avoid personal injury.
- Keep out of reach of small children.

Read carefully and fully understand the instructions before commencing assembly. Model supplied unpainted. Bases, scenery, glue and paint not included. Legend used:



Choices



Optional



No glue



Drill hole



Bend



Cut or trim with care

Please use **ABS Plastic Cement** for our plastic kits.

WARNING

- THIS IS NOT A TOY
- INTENDED FOR COLLECTORS OF AGE 14 AND ABOVE
- CONTAINS SMALL PARTS AND POINTED COMPONENTS
- NOT SUITABLE FOR CHILDREN UNDER 6 YEARS OLD
- MODEL MAY VARY FROM IMAGE ON BOX
- READY TO ASSEMBLE PRECISION MODEL KIT

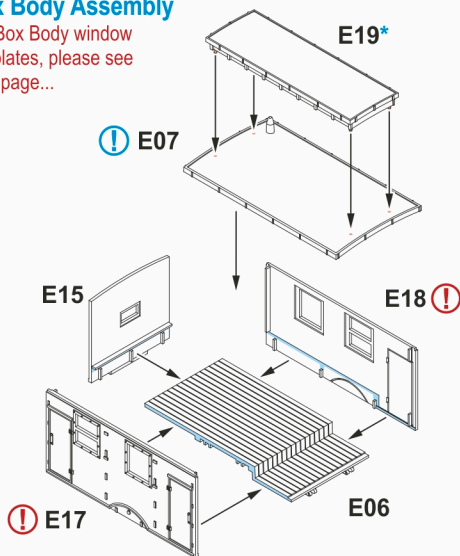
IMPORTANT: READ THIS FIRST BEFORE ASSEMBLY

Please refer to your original **SdKfz 305 Blitz** (280026) or **SdKfz 3a Maultier** (280046) assembly instruction sheet to determine which other parts are required to assemble prior to the following steps. **Expansion Kit** part numbering starts with the letter "E".

1

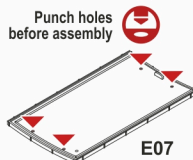
Box Body Assembly

For Box Body window templates, please see next page...



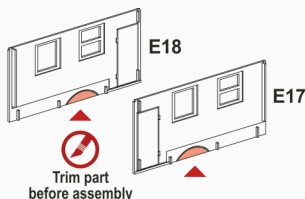
Rooftop Ventilation (optional)

If you want to add the optional Rooftop Ventilation E19 to the box body. Please punch holes as indicated.



For SdKfz 305 Blitz Assembly

If the box body is intended for the Blitz (280026), the shaded area **MUST** be trimmed off before assembly.



* Optional

2a

SdKfz 305 Blitz with Box Body Assembly

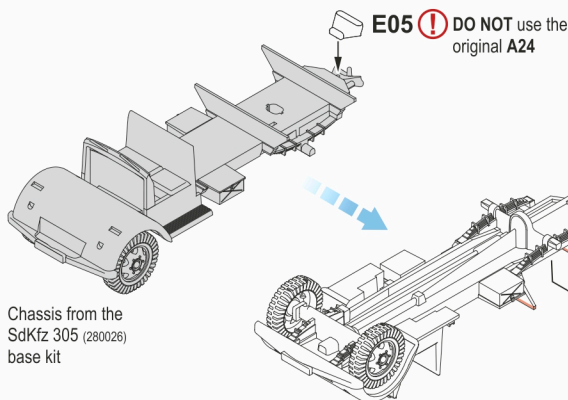
For SdKfz 3a Maultier, please proceed to 2b...



Read this first... Rear Fender

Test fit everything to understand the assembly. Use the **colour guide** below if you are unsure what to do!

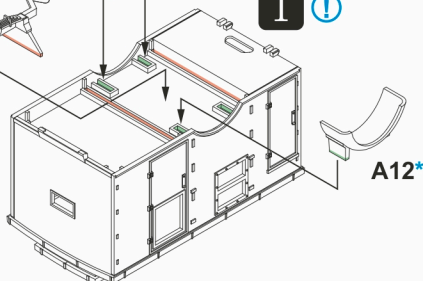
- Assemble **FIRST**
- Assemble **LAST**



Chassis from the SdKfz 305 (280026) base kit

A11*

1

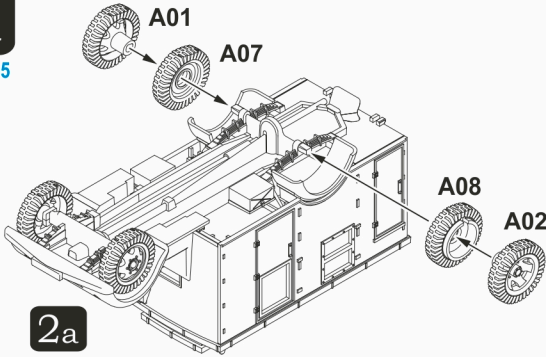


A12*

* Optional

3a

SdKfz 305
continue...



2a

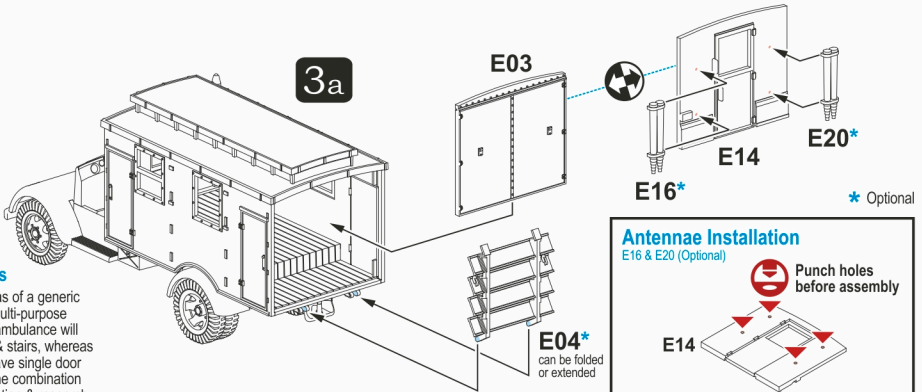
4a

SdKfz 305
completed...

Proceed to **5**

Optional Items

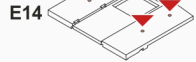
The Box Body was of a generic design to allow multi-purpose applications. An ambulance will have twin doors & stairs, whereas a radio car will have single door and antennae. The combination is to your imagination & research.



Antennae Installation

E16 & E20 (Optional)

Punch holes before assembly



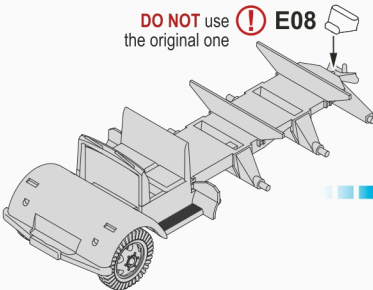
E16*

* Optional

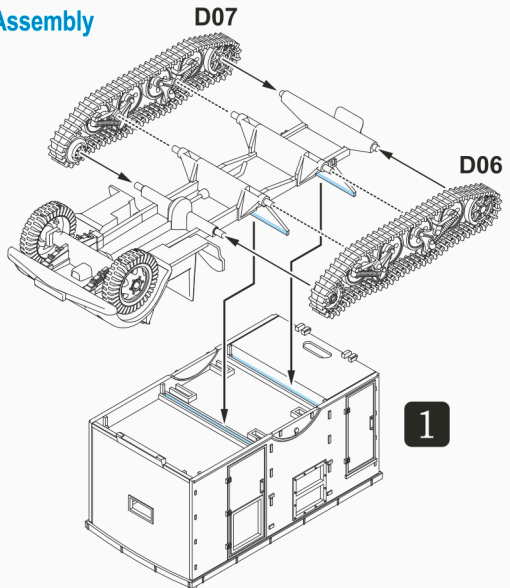
2b

SdKfz 3a Maultier with Box Body Assembly

DO NOT use the original one **E08**



Chassis from the SdKfz 3a (280046) base kit



1

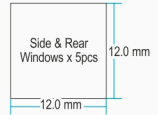
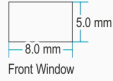
Box Body Window Templates

for experienced modelers

Use the template provided below if you decided to add windows to the box body. Attach the prepared windows from inside of the box body.

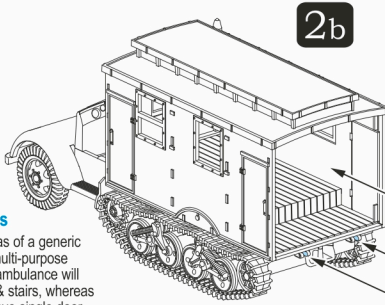


Size & Measurement:



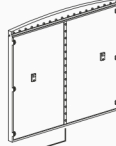
3b

SdKfz 3a
completed...



2b

E03



E14

E16*

E20*

* Optional

Optional Items

The Box Body was of a generic design to allow multi-purpose applications. An ambulance will have twin doors & stairs, whereas a radio car will have single door and antennae. The combination is to your imagination & research.

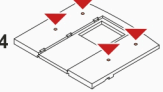
Antennae Installation

E16 & E20 (Optional)



Punch holes
before assembly

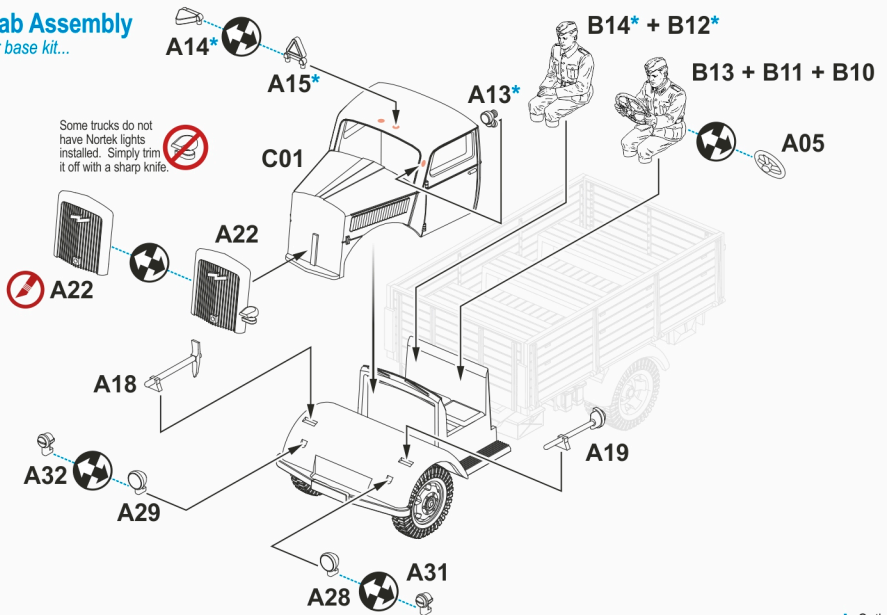
E14



E04*
can be folded
or extended

5

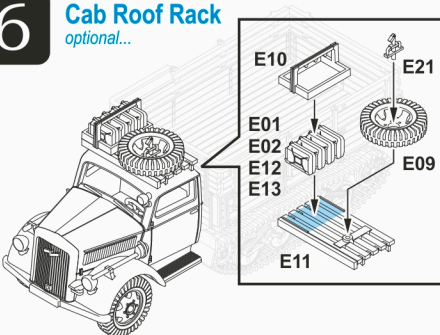
Cab Assembly for base kit...



* Optional

6

Cab Roof Rack optional...



If you like this Rubicon Models kit, you might want to look at our **German Stowage Set 1** (280022) accessories kit. An excellent companion product for your new truck!

Asia Pacific Webstore: www.rubiconmodelsasia.com

Americas Webstore: www.rubiconmodelsusa.com

EU & UK Webstore: www.rubiconmodels.co.uk

www.facebook.com/rubiconmodels

www.facebook.com/groups/rubiconmodelscommunity