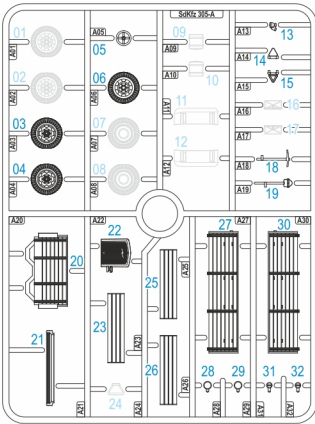


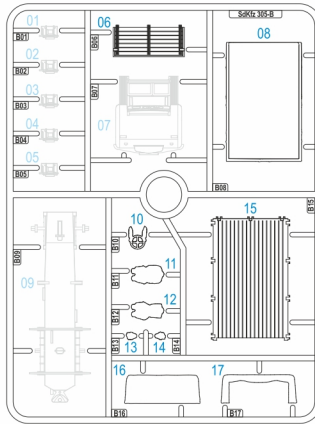


Product Code: 280046
170515-1

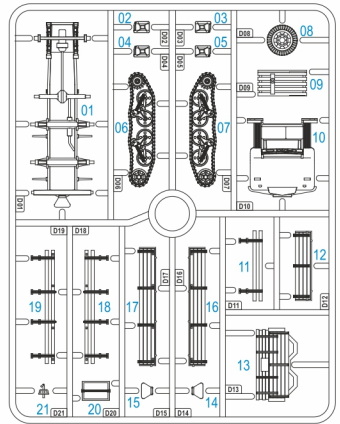


A

■ Grey out parts are not used



B



D



- When you use glue or paint, do not use near a naked flame, and use in a well ventilated area.
- When assembling this kit, tools including knives are used. Extra care should be taken to avoid personal injury.
- Keep out of reach of small children.

WARNING

- THIS IS NOT A TOY
- INTENDED FOR COLLECTORS OF AGE 14 AND ABOVE
- CONTAINS SMALL PARTS AND POINTED COMPONENTS
- NOT SUITABLE FOR CHILDREN UNDER 6 YEARS OLD
- MODEL MAY VARY FROM IMAGE ON BOX
- READY TO ASSEMBLE PRECISION MODEL KIT

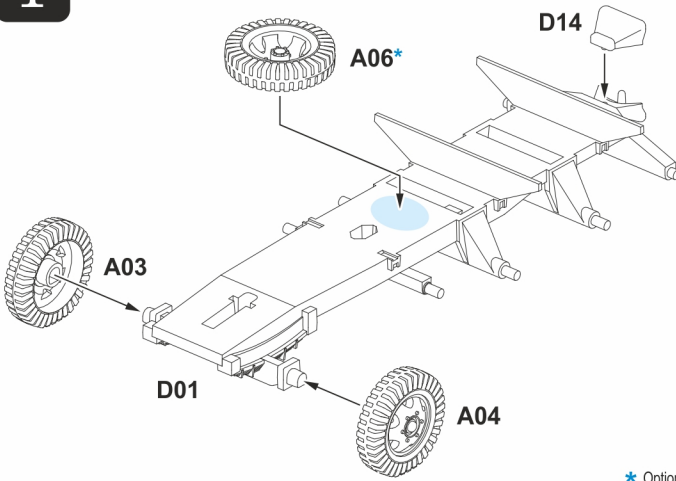
Read carefully and fully understand the instructions before commencing assembly. Model supplied unpainted. Bases, scenery, glue and paint not included. Meaning of symbols used:

- Choices
- Optional
- No glue
- Open hole
- Bend
- Cut or trim with care

▶ Please use **ABS Plastic Cement** for our products.

C



1

* Optional

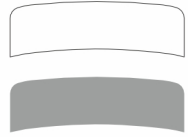
WINDSHIELD TEMPLATE

for experienced modellers

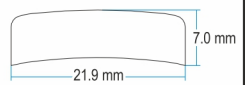
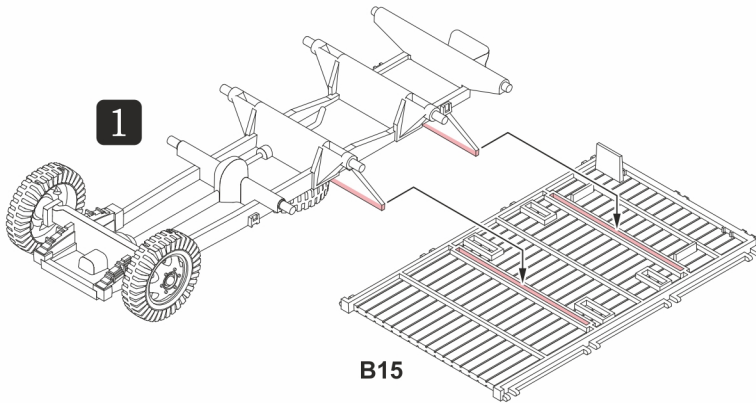
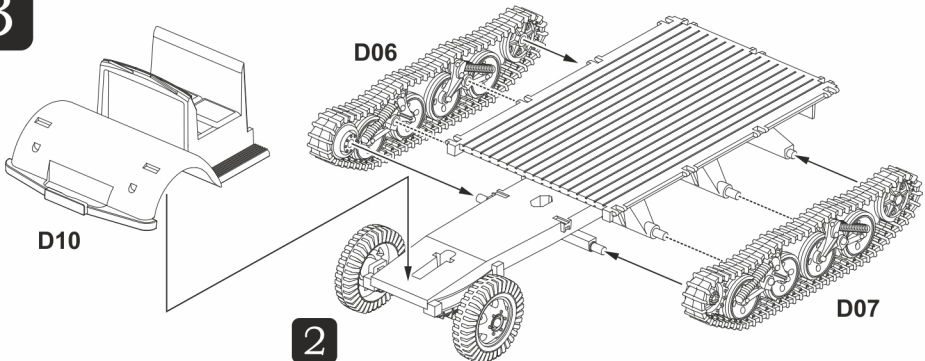
Use the template provided below if you decided to add a windshield to the truck.

Best material to use is a clear styrene or acetate sheet. Alternatively, a blister clear packing is also a good choice.

After the windshield part is prepared, attach it from the inside of the cab.

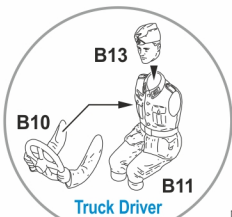


Size & Measurement:

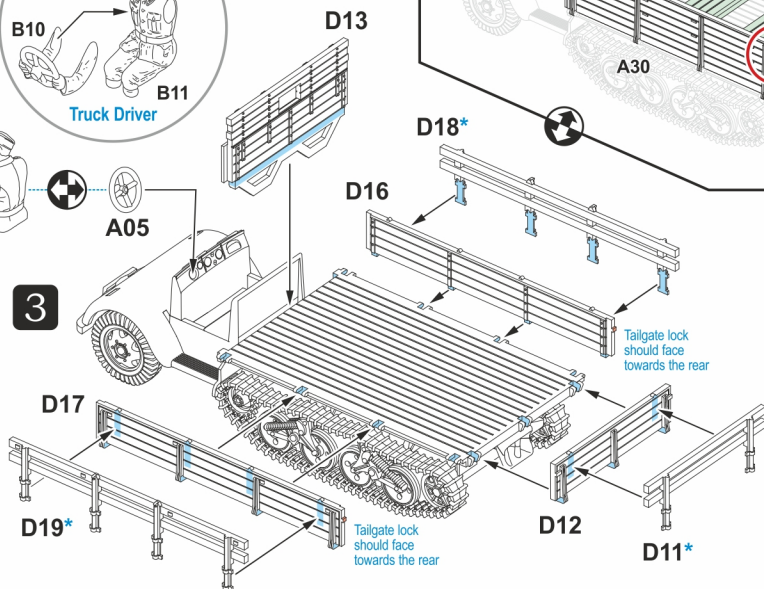
**2****3**

4

Mid & Late War Rear Trunk Panels with optional panel extenders



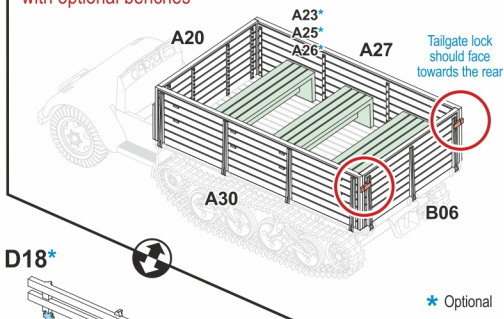
3



* Optional

* Optional

Early War Rear Trunk Panels with optional benches



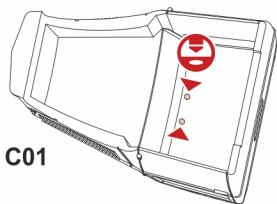
* Optional

5a

Cargo Tow Indicator (optional)

The triangular tow indicator panel can be installed in upright (A15) or face-down (A14) position by punching two holes using the guides provided underneath the cab roof.

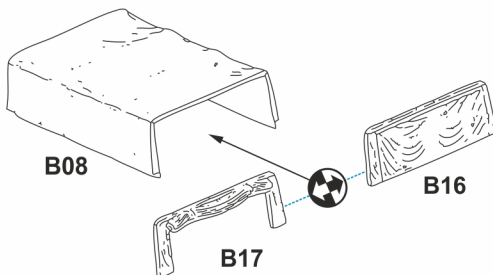
Alternatively, you can choose to install the **Cab Top Stowage Rack** instead. Then no punch holes are needed. See **5c** for more instructions.



5b

Canvas Top Assembly (optional)

The rear tarpaulin of the detachable canvas top (B08) can be assembled in either closed (B16) or roll-up (B17) position. Please choose accordingly...

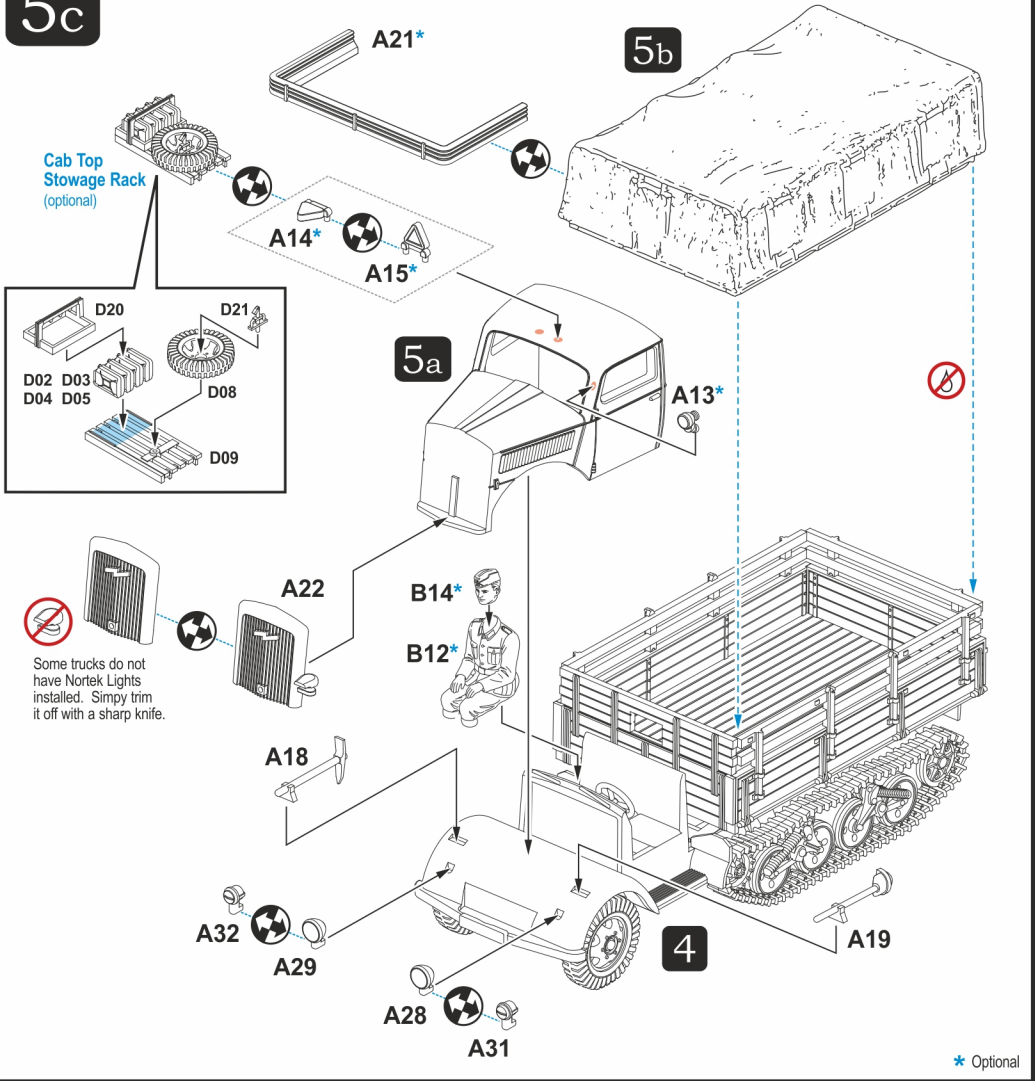


If you like this **SdKfz 3a Maultier 2-ton Halftrack Cargo Truck** kit, you might also want to look at our **German Stowage Set 1** (280022) accessories kit. An excellent companion product for your new truck!

Facebook Please also visit our Facebook page at <https://www.facebook.com/rubiconmodels>

Facebook Follow our Facebook page to show your support!

5c



SdKfz 305 & 3a (Blitz & Maultier) Expansion Sets

Rubicon Models is offering expansion sets to the SdKfz 305 & 3a series of WW2 German trucks and halftracks. One of the sets is the **Universal Box Body (Einheitskoffer)** (280047). The box body can be used as an ambulance, a workshop, a radio & communication vehicle, or anything that was needed on the field. These expansion sets open up a lot of conversion and diorama ideas for your model collections. Check out our regional webstores for more product offerings.



Items of interest for your collection!

