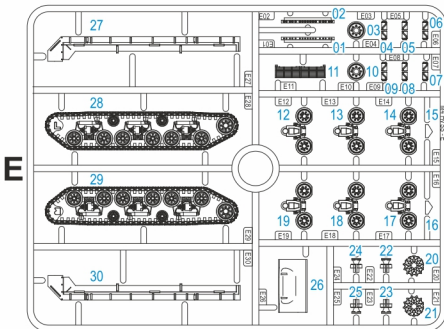
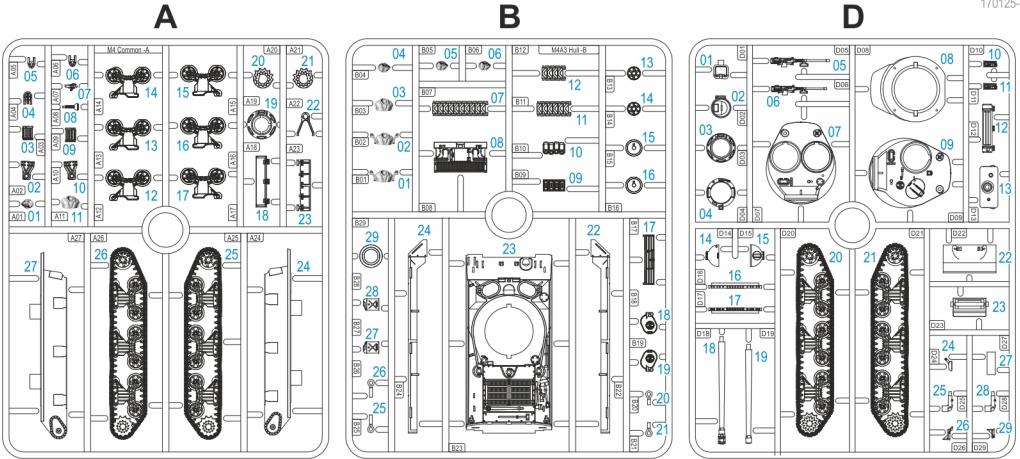




Product Code: 280042  
170125-1



### CAUTION

- When you use glue or paint, do not use near a naked flame, and use in a well ventilated area.
- When assembling this kit, tools including knives are used. Extra care should be taken to avoid personal injury.
- Keep out of reach of small children.

Read carefully and fully understand the instructions before commencing assembly. Model supplied unpainted. Bases, scenery, glue and paint not included. Meaning of symbols used:



Choices



Optional



No glue



Open hole



Bend



Cut or trim with care

► Please use **ABS Plastic Cement** for our products.

© Rubicon Models Ltd 2017. Rubicon Models, the Rubicon Models Logo are trademarks of Rubicon Models Ltd. All rights reserved.

### WARNING

- THIS IS NOT A TOY
- INTENDED FOR COLLECTORS OF AGE 14 AND ABOVE
- CONTAINS SMALL PARTS AND POINTED COMPONENTS
- NOT SUITABLE FOR CHILDREN UNDER 6 YEARS OLD
- MODEL MAY VARY FROM IMAGE ON BOX
- READY TO ASSEMBLE PRECISION MODEL KIT

# 1

**D05\***  
M2 HMG  
Gamer Version

**D06**  
M2 HMG  
Modeller Version

\* For gaming use with a thickened gun barrel

**D11**  
**D28**

**D10**

**D25**

**D18**  
M1 76mm  
with Muzzle Brake

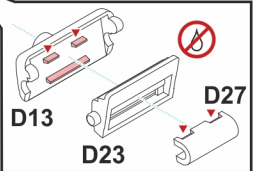


**D23**

**D13**  
M62 Mantlet

**D19**  
M1 76mm

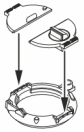
**D27**



# 2

**D14**

**D15**



**D04**  
Split Hatch

**D02**

**A19\***  
Vision Cupola

\* The "tab" can easily be removed to fit a full body figure inside

**D02**



**A19**  
Vision Cupola

**B03 + B04**  
Tank Commander

## READ THIS FIRST

To enjoy building this kit, **PLEASE STUDY** the instruction thoroughly before actual assembly.

It is a very good practice to test fit all parts and study all the options before gluing them together. This will save you time and frustrations.

# 3a

**2**

Vision Cupola

**2**

Split Hatch

## T23 Turret Early Production

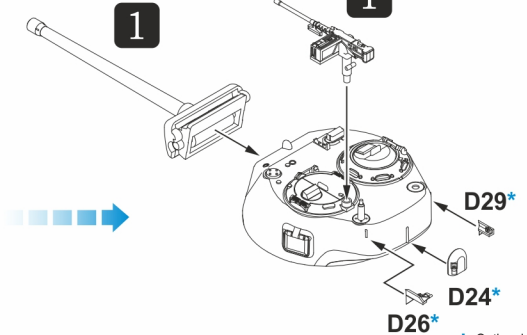
Not for use with M4A3E8

**D07**

**D01**

**D08**

**1**



\* Optional



Can **ONLY** built one of these turrets!



For modellers, the shaded area can be trimmed off before assembly.

# 3b

**2**

Vision Cupola

## T23 Turret Late Production

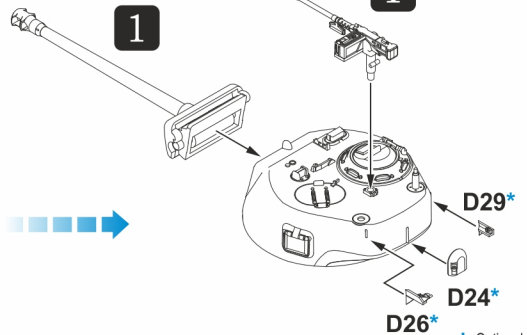
Used on both M4A3 and M4A3E8

**D09**

**D01**

**D08**

**1**



\* Optional

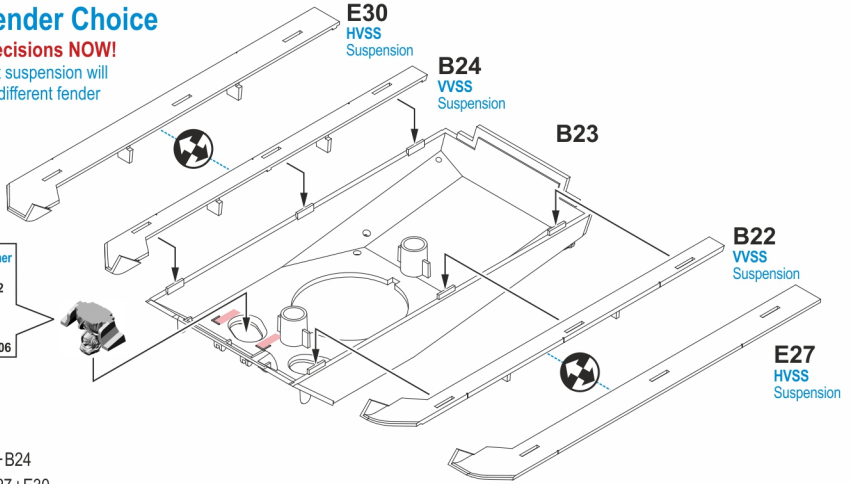
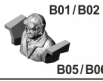
# 4

## M4 Fender Choice

**Make Decisions NOW!**

A different suspension will require a different fender

US Driver & Gunner  
(optional)



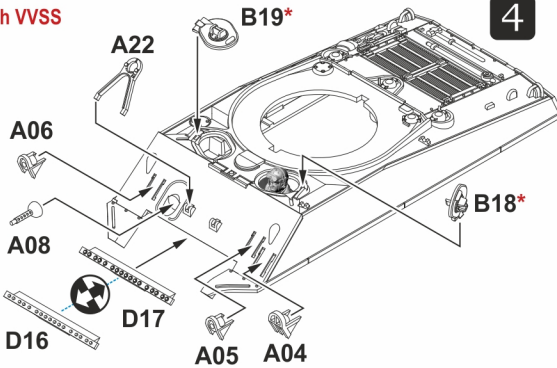
**Fender Choice:**

M4A3 with VVSS: B22+B24

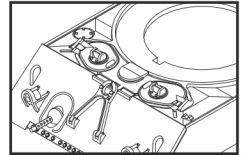
M4A3E8 with HVSS: E27+E30

# 5a

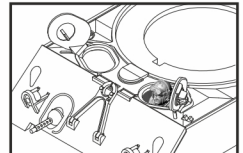
## M4A3 with VVSS



# 4



\* Hull hatches (B18 / B19) in closed position

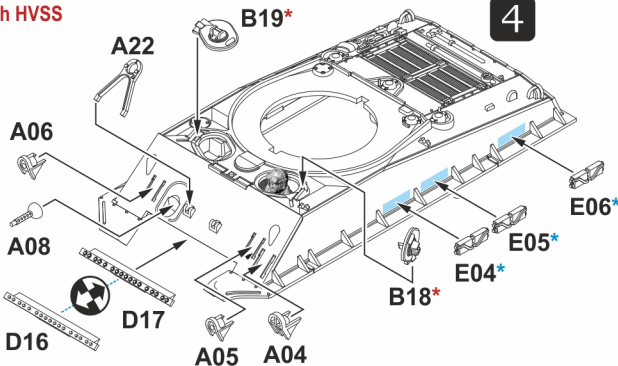


\* Hull hatches (B18 / B19) in open position with crew

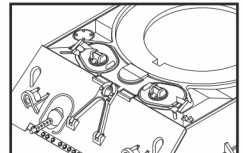


# 5b

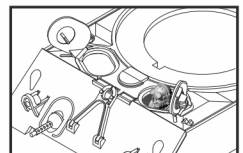
## M4A3E8 with HVSS



# 4



\* Hull hatches (B18 / B19) in closed position

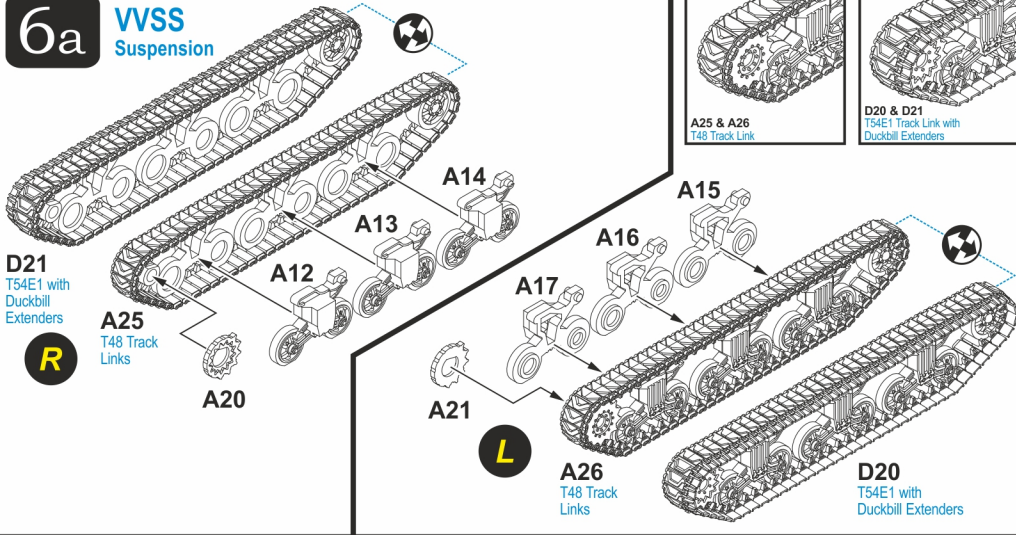


\* Hull hatches (B18 / B19) in open position with crew

\* Optional

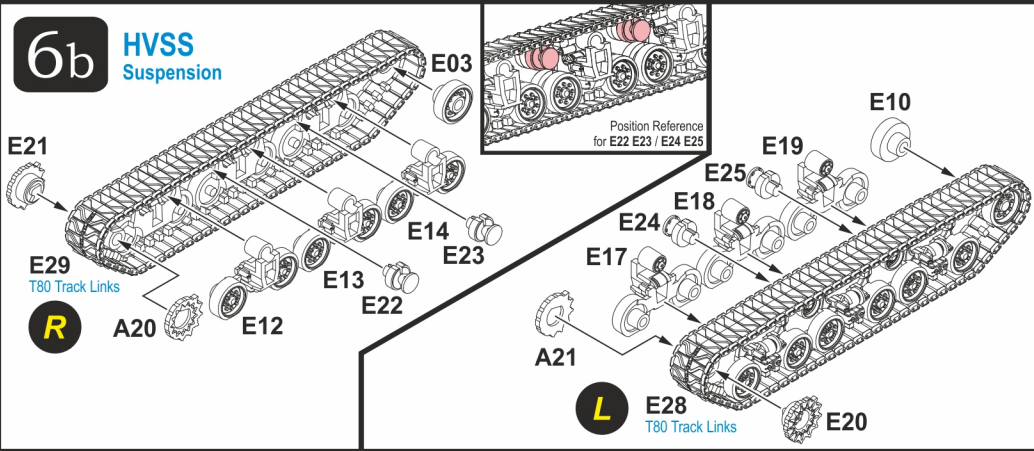
# 6a

## VVSS Suspension

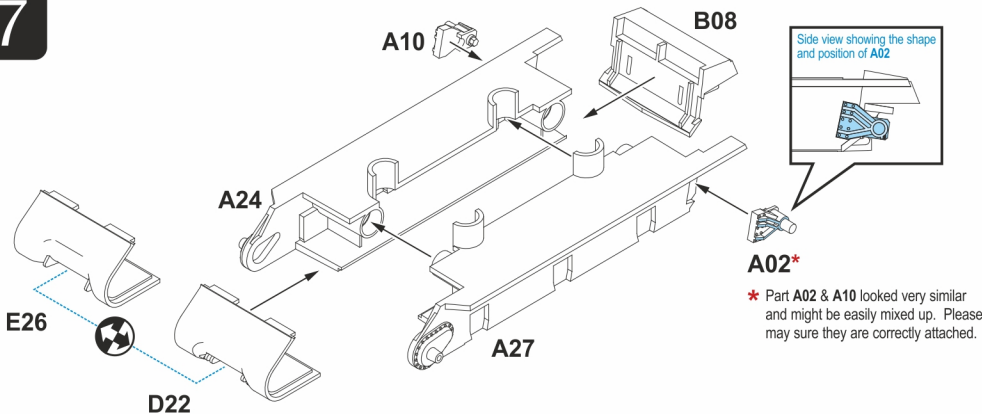


# 6b

## HVSS Suspension

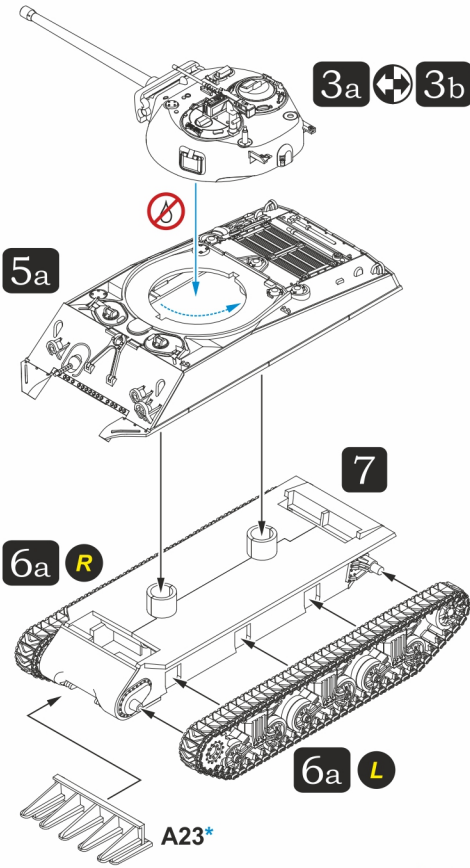


# 7



8a

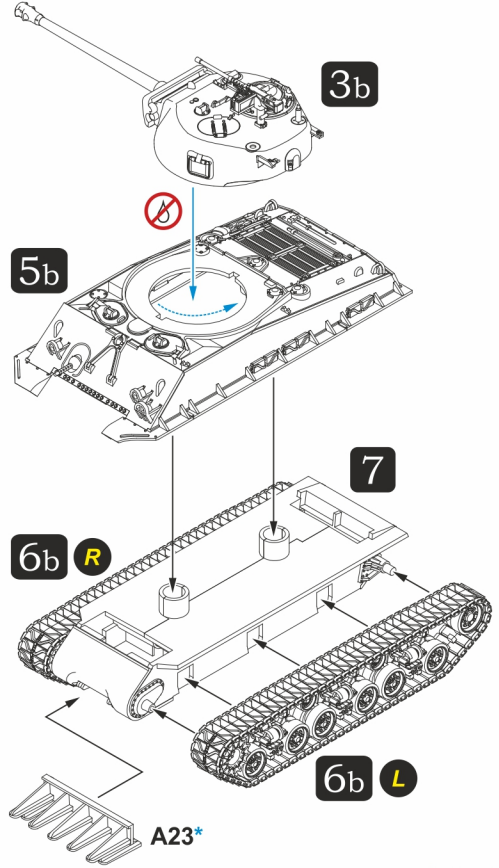
M4A3  
with VVSS



\* Optional

8b

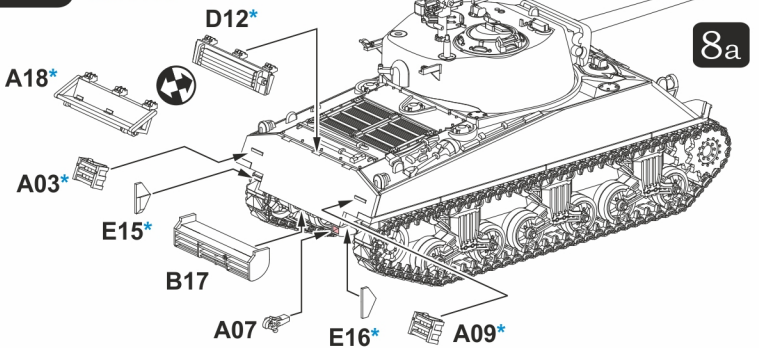
M4A3E8  
with HVSS



\* Optional

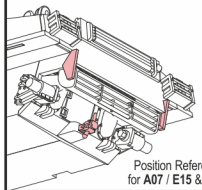
9a

M4A3  
with VVSS



\* Optional

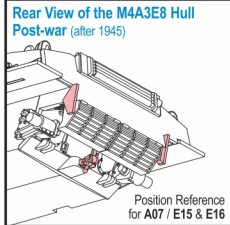
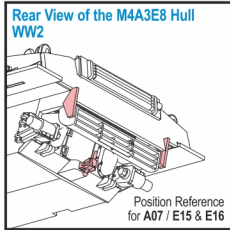
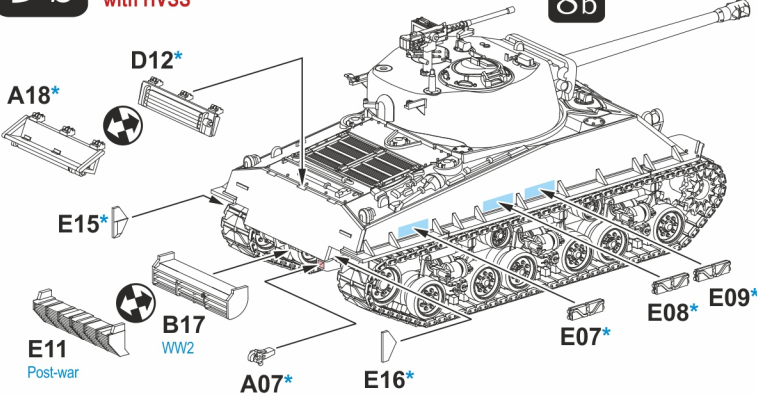
Rear View of the M4A3 Hull



Position Reference  
for A07 / E15 & E16

9b

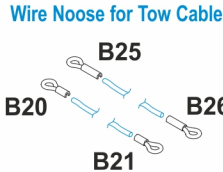
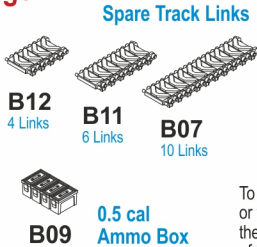
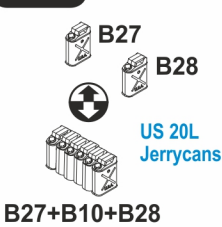
**M4A3E8**  
with HVSS



★ Optional

10

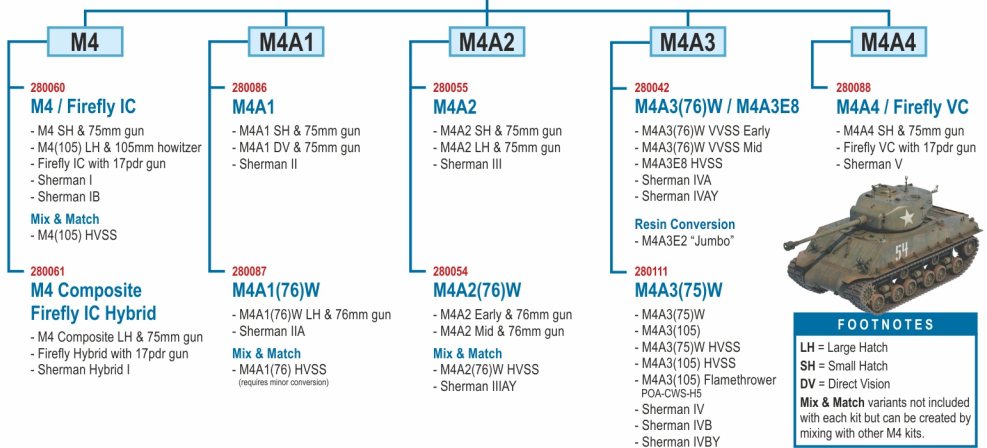
**Extra Stowage**



To make a tow cable, use 0.8mm copper wire or thread cut to the desired length to represent the cable. Simply glue thread end to the slot of the wire noose.

Additional stowage is available from our **Allied Stowage Set 1** (280033). The set contains US and Commonwealth style oil drums, jerrycans, road wheels, tracks, ammo boxes, tool boxes, tow cables and buckets.

**M4 Sherman Plastic Kits**



**FOOTNOTES**

LH = Large Hatch  
SH = Small Hatch  
DV = Direct Vision

Mix & Match variants not included with each kit but can be created by mixing with other M4 kits.

