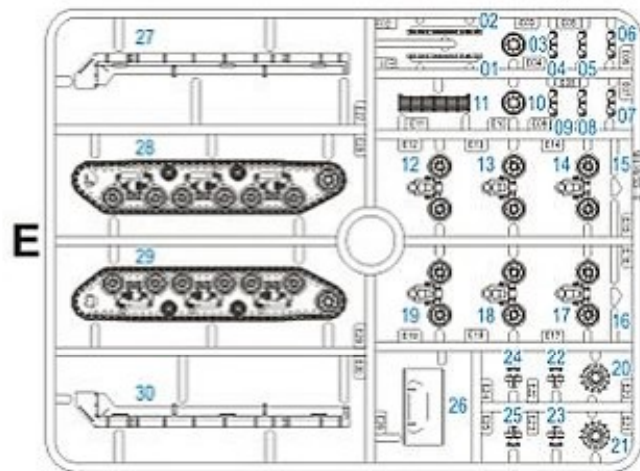
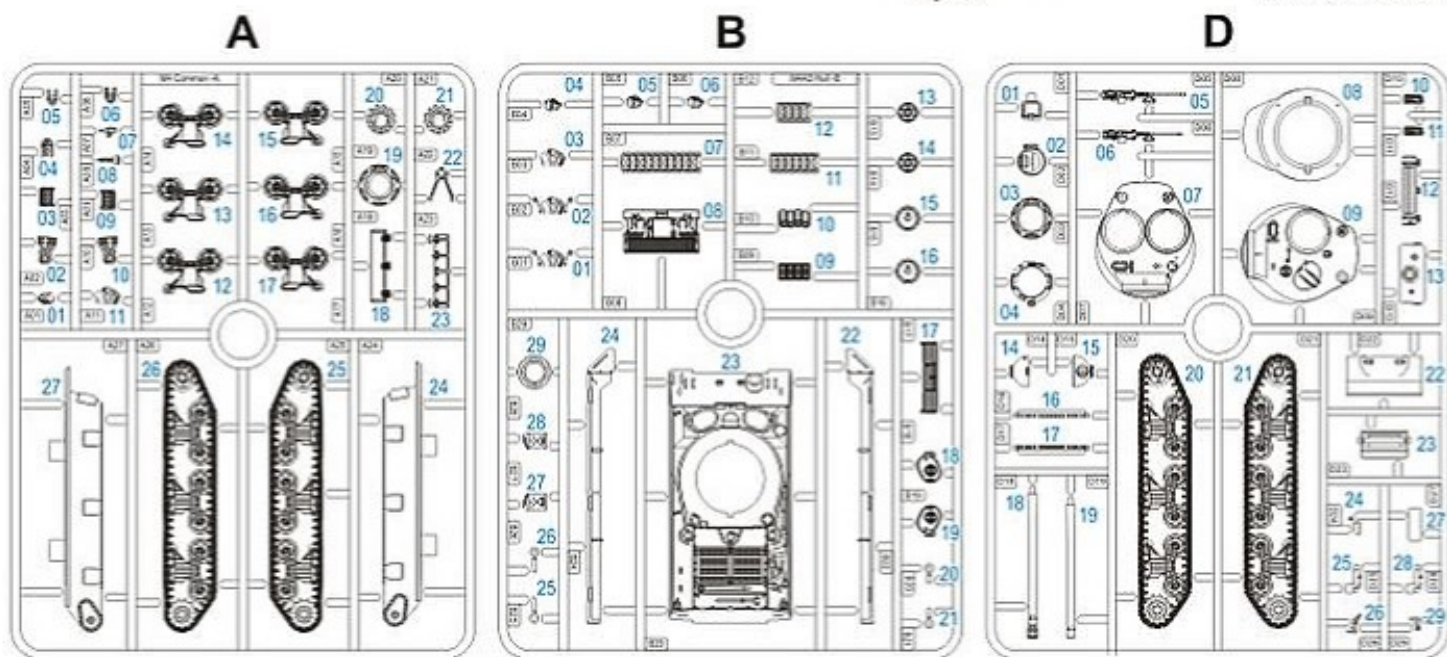


Product Code: 280042



CAUTION

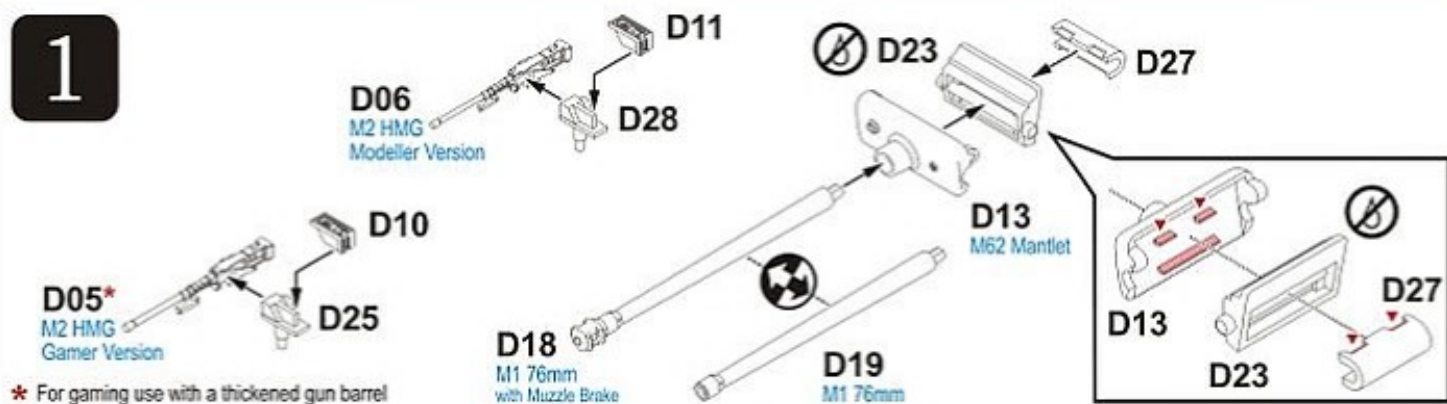
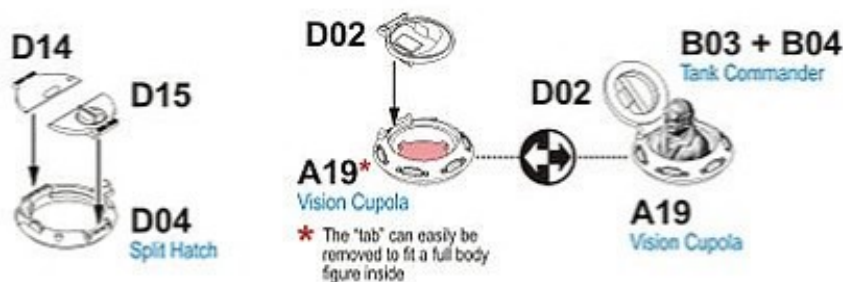
- When you use glue or paint, do not use near a naked flame, and use in a well ventilated area.
- When assembling this kit, tools including knives are used. Extra care should be taken to avoid personal injury.
- Keep out of reach of small children.

Read carefully and fully understand the instructions before commencing assembly. Model supplied unpainted. Bases, scenery, glue and paint not included. Meaning of symbols used:

Choices	Optional	No glue
Open hole	Bend	Cut or trim with care

WARNING:
 Contains small parts which may be hazardous to children under 14 years of age.

© Rubicon Models Ltd 2017. Rubicon Models, the Rubicon Models Logo are trademarks of Rubicon Models Ltd. All rights reserved.

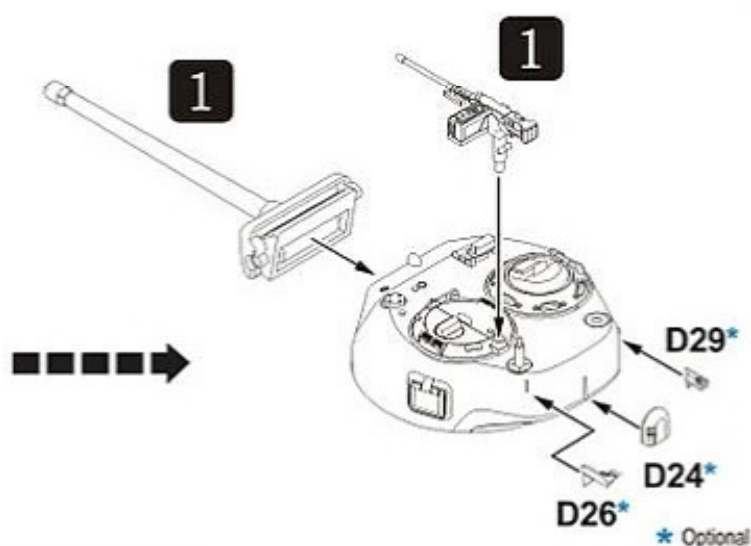
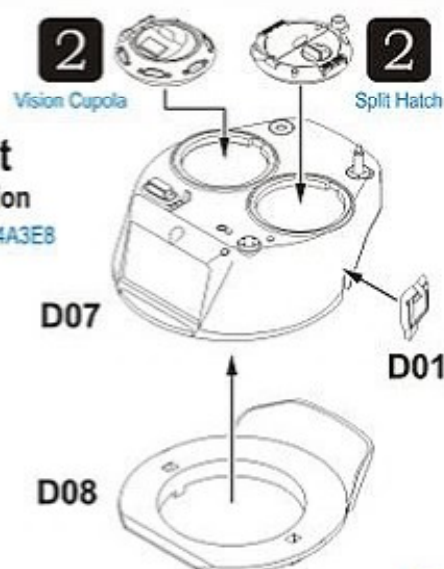
1**2****READ THIS FIRST**

To enjoy building this kit, **PLEASE STUDY** the instruction thoroughly before actual assembly.

It is a very good practice to test fit all parts and study all the options before gluing them together. This will save you time and frustrations.

3a**T23 Turret
Early Production**

Not for use with M4A3E8

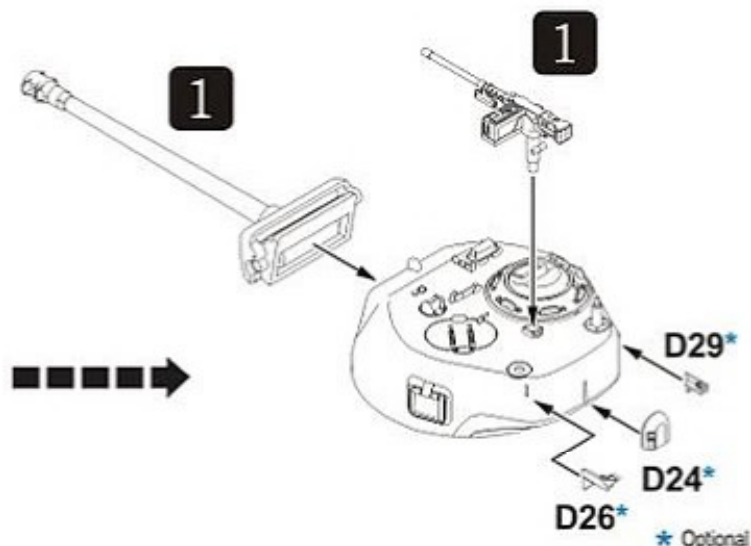
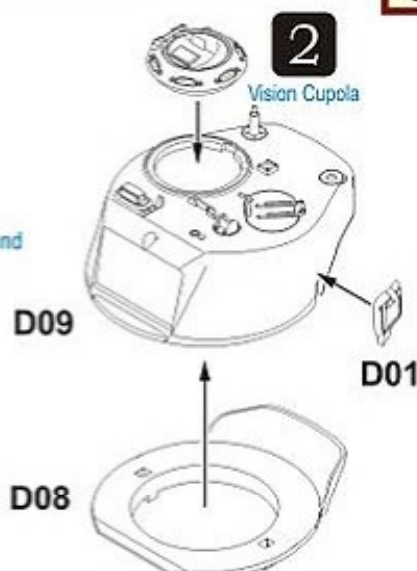


Can ONLY build one of these turrets!

D26 **D29** For modellers, the shaded area can be trimmed off before assembly.

3b**T23 Turret
Late Production**

Used on both M4A3 and M4A3E8

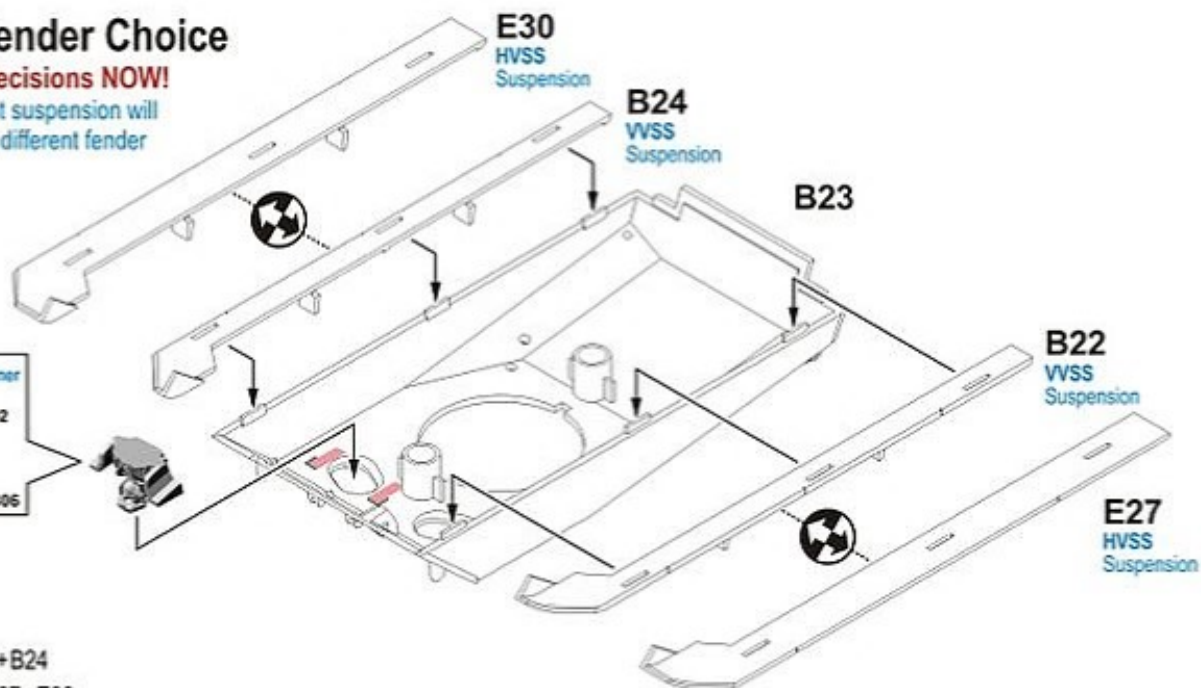


4

M4 Fender Choice

Make Decisions NOW!

A different suspension will require a different fender



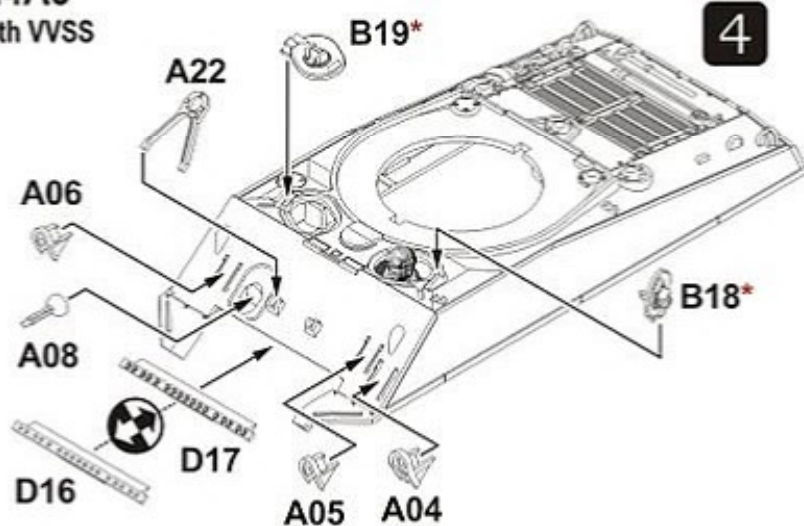
Fender Choice:

M4A3 with VVSS: B22+B24

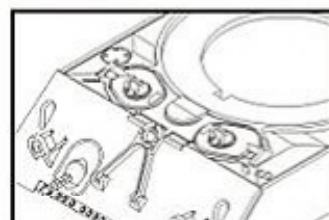
M4A3E8 with HVSS: E27+E30

5a

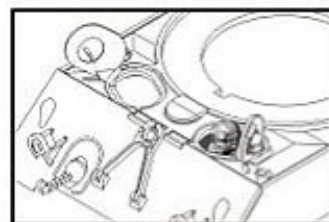
M4A3 with VVSS



4



* Hull hatches (B18/B19) in closed position

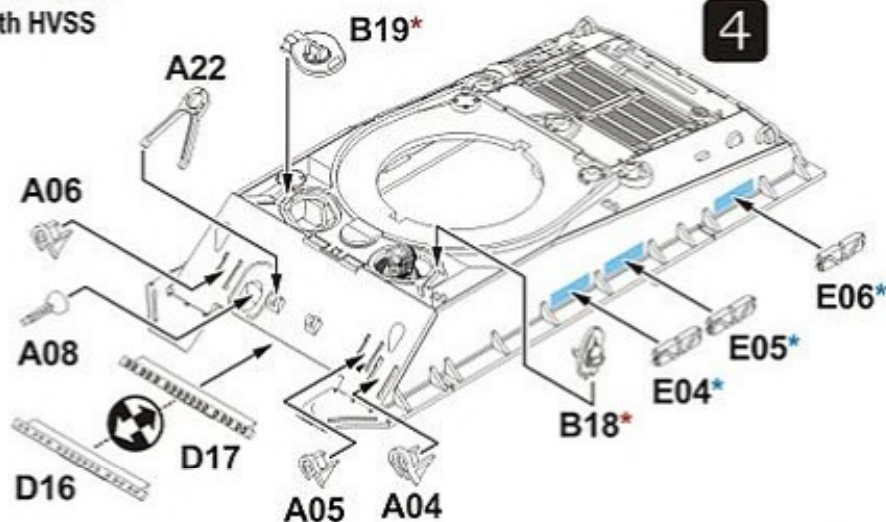


* Hull hatches (B18/B19) in open position with crew

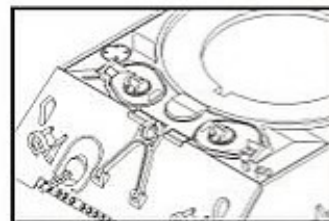


5b

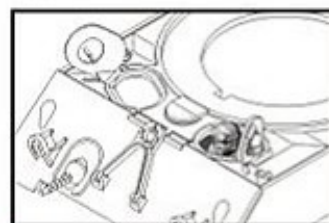
M4A3E8 with HVSS



4

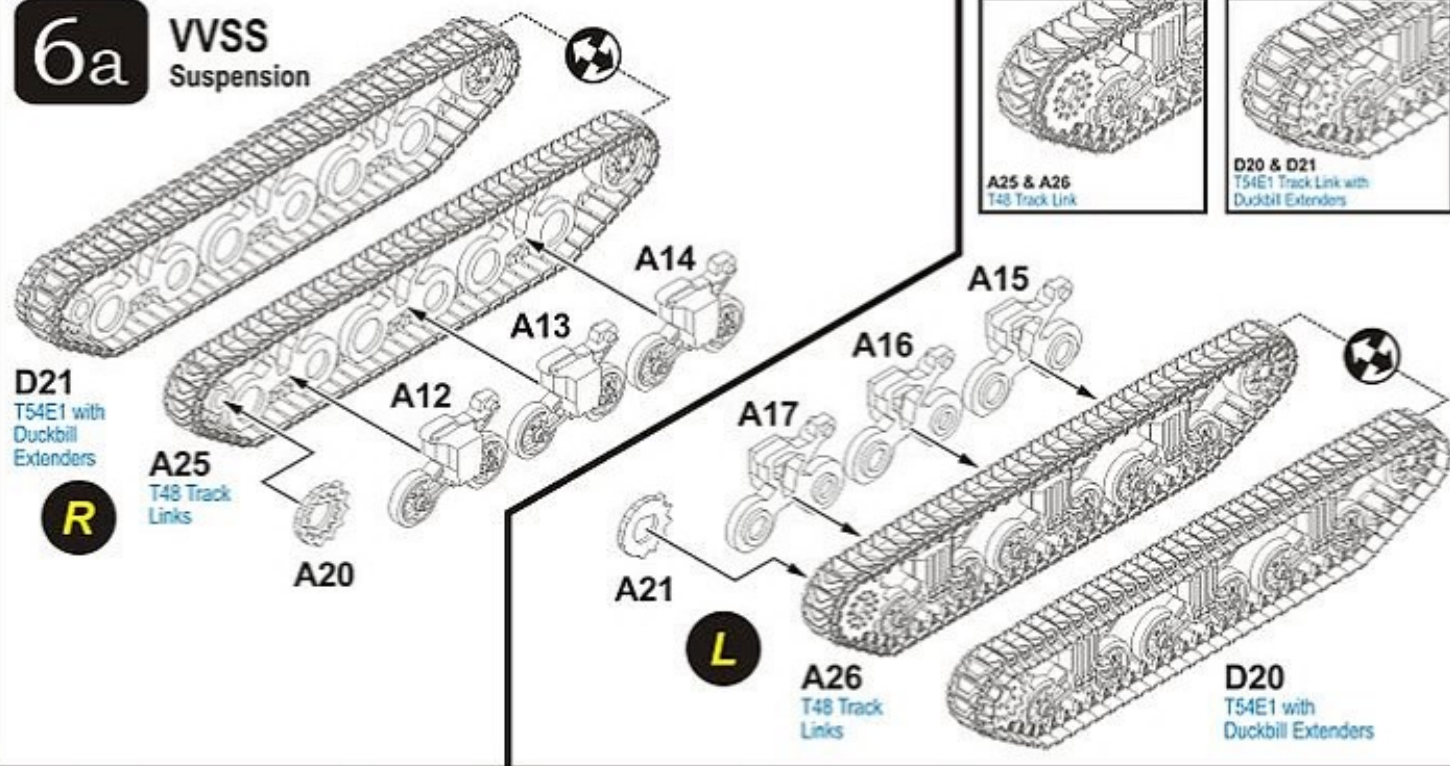
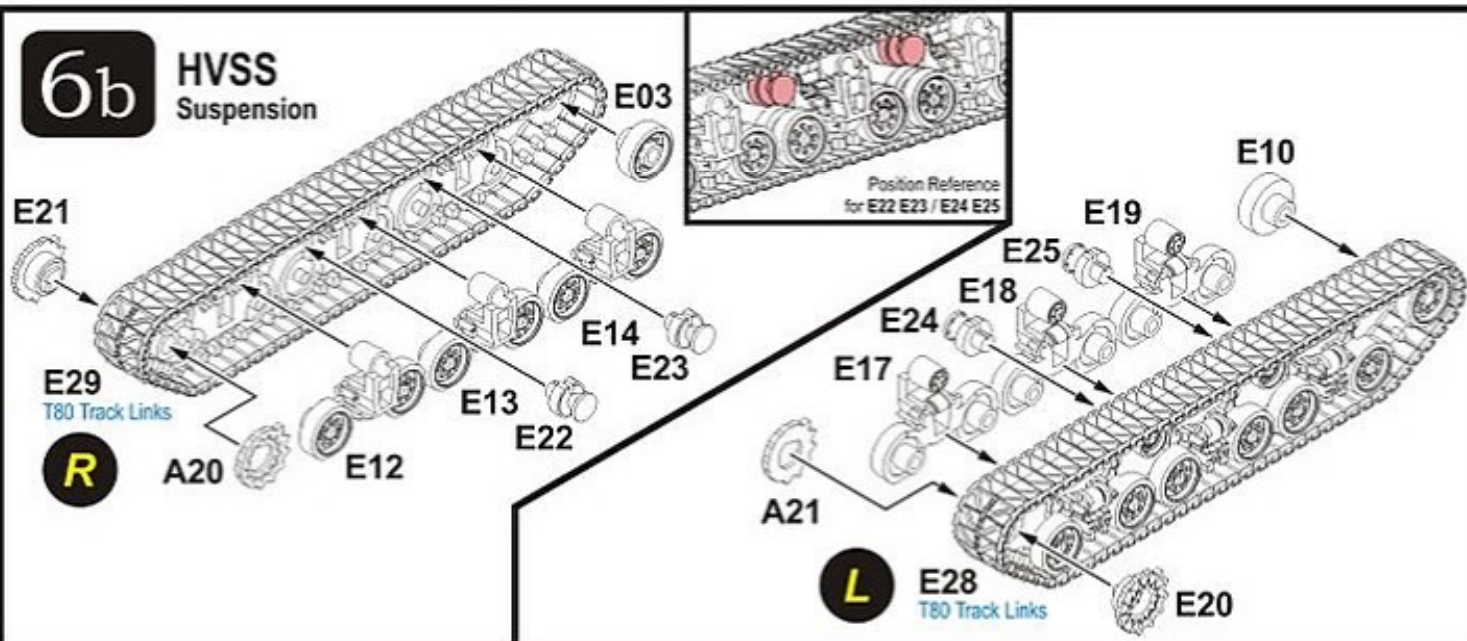
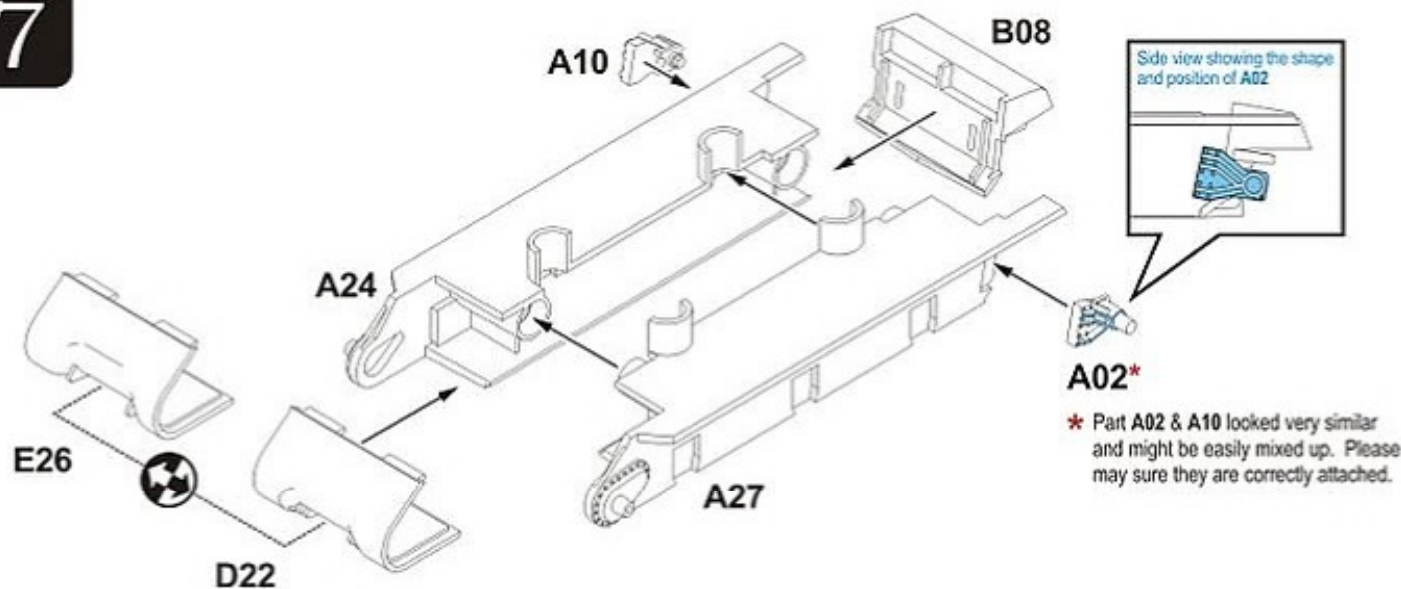


* Hull hatches (B18/B19) in closed position



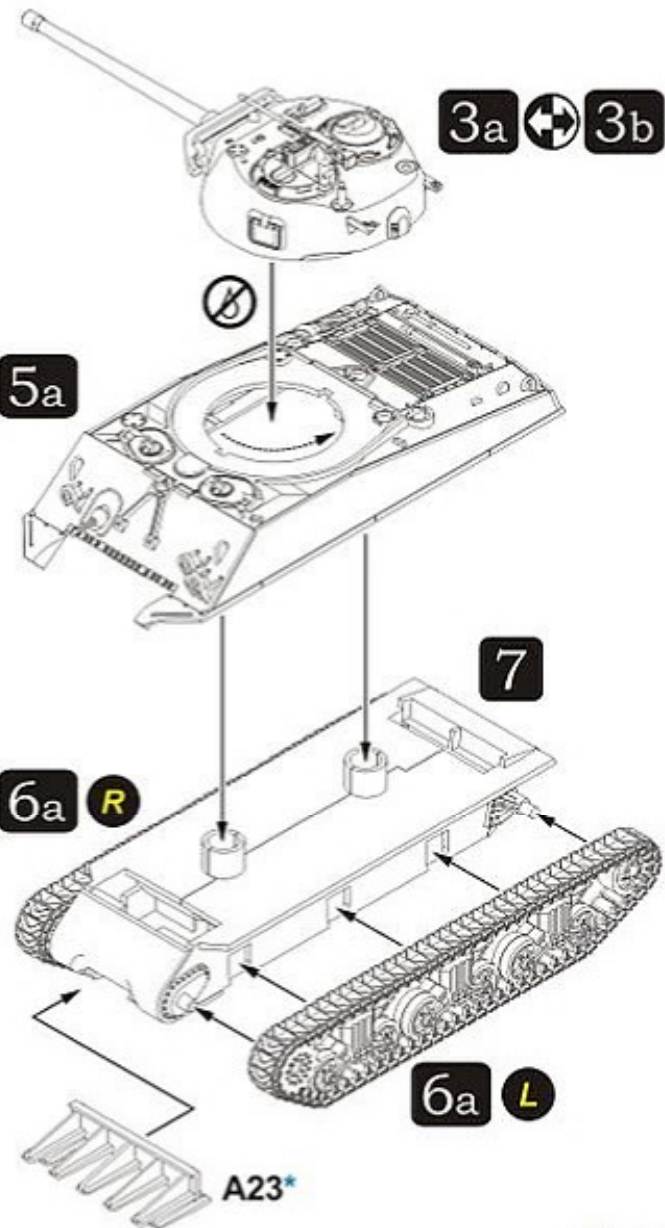
* Hull hatches (B18/B19) in open position with crew

* Optional

6a**VVSS
Suspension****6b****HVSS
Suspension****7**

8a

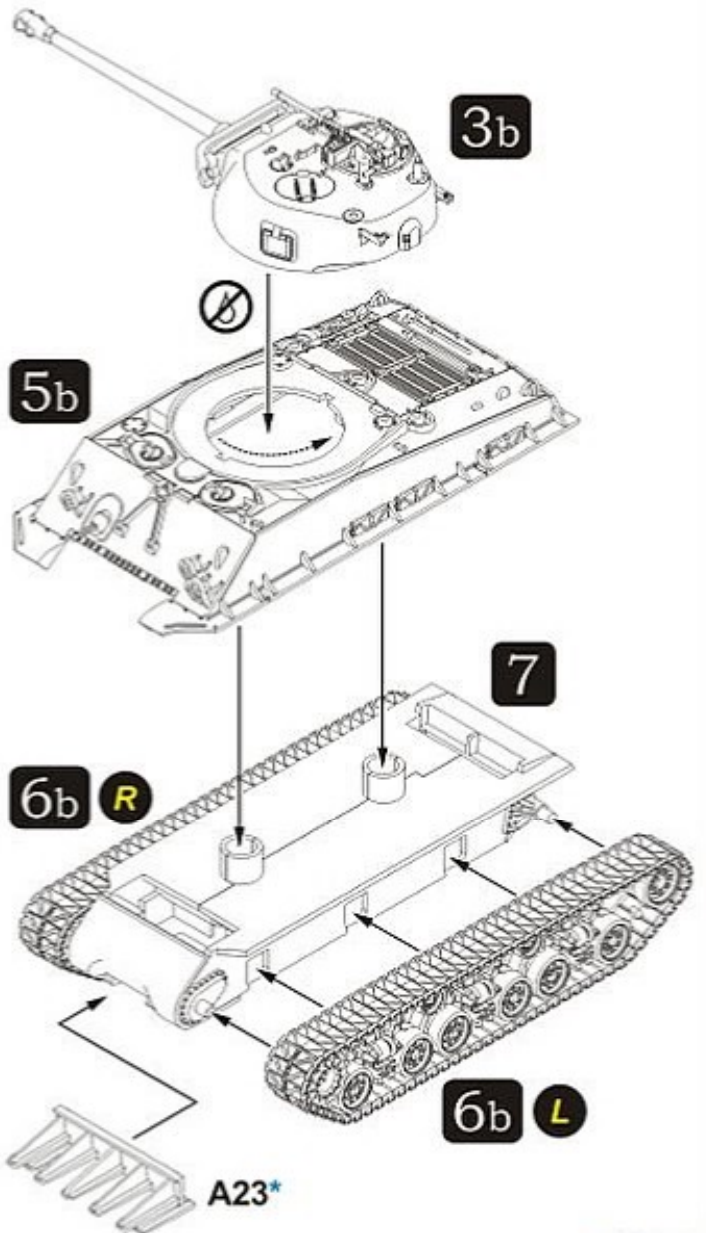
M4A3
with VVSS



* Optional

8b

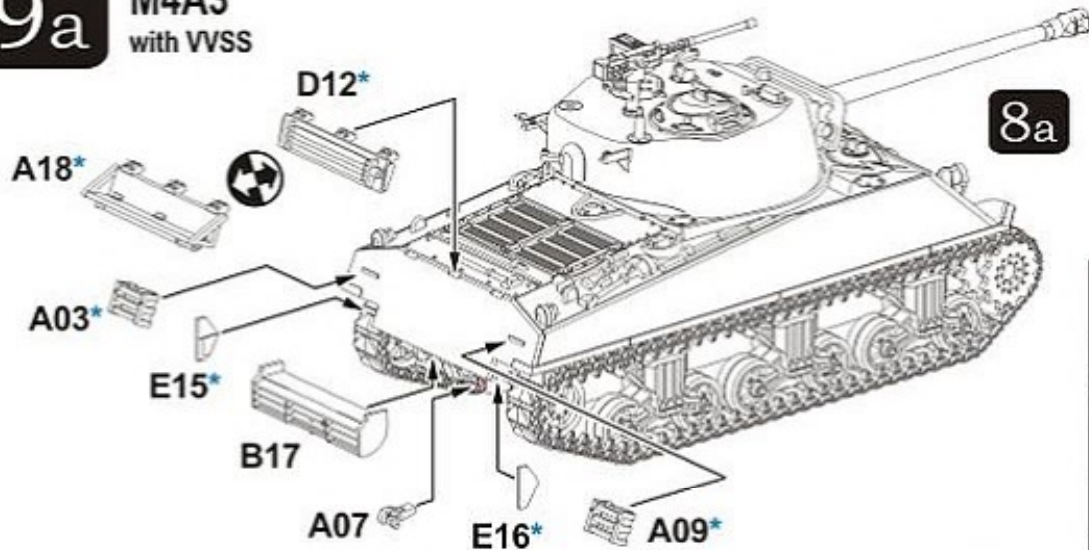
M4A3E8
with HVSS



* Optional

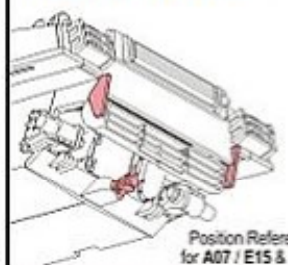
9a

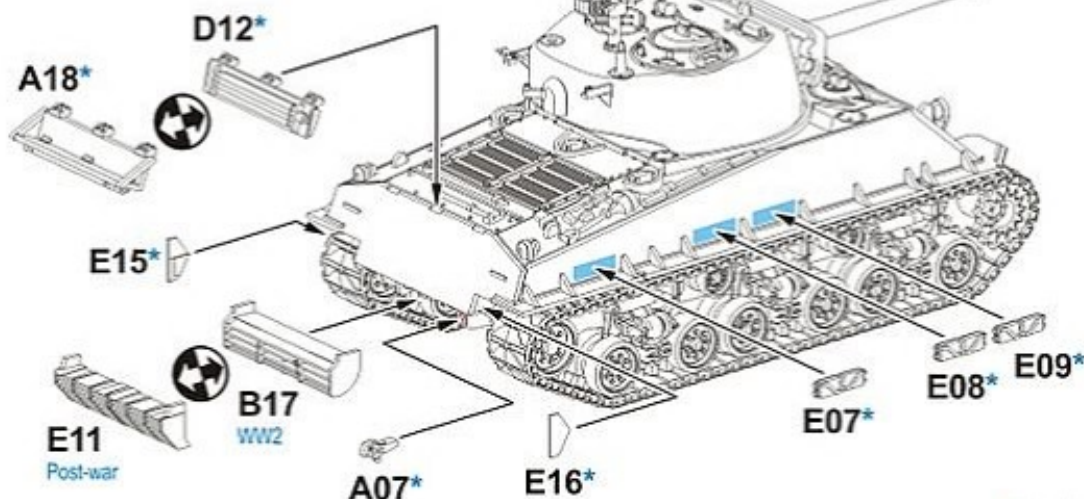
M4A3
with VVSS



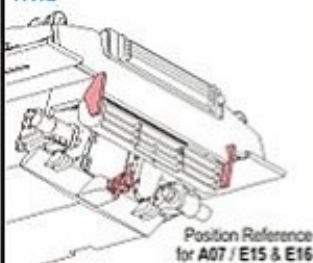
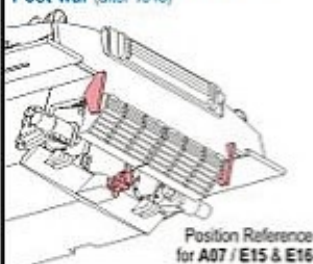
* Optional

Rear View of the M4A3 Hull



9b**M4A3E8
with HVSS****8b**

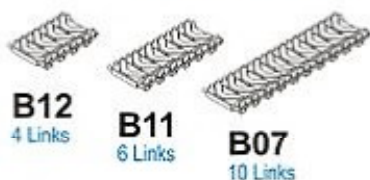
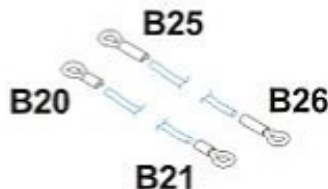
* Optional

Rear View of the M4A3E8 Hull
WW2Position Reference
for A07 / E15 & E16Rear View of the M4A3E8 Hull
Post-war (after 1945)Position Reference
for A07 / E15 & E16**10****Extra Storage**

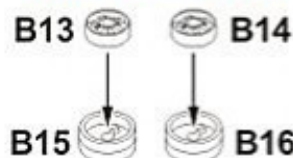
Spare Track Links

Wire Nose for Tow Cable

Spare M4 Roadwheels

**B27+B10+B28****B12**
4 Links**B11**
6 Links**B07**
10 Links**B09**0.5 cal
Ammo Box**B20****B25****B26****B21**

To make a tow cable, use 0.8mm copper wire or thread cut to the desired length to represent the cable. Simply glue thread end to the slot of the wire nose.

**B13****B14****B15****B16**Additional storage is available from our **Allied Storage Set 1** (280033). The set contains US and Commonwealth style oil drums, jerrycans, road wheels, tracks, ammo boxes, tool boxes, tow cables and buckets.**Online
Decal & Painting Guide**To save the environment, we have uploaded our **Decal & Painting** guide to our official forum. You can access the guide using the following link:<http://forum.rubiconmodels.com/index.php?board=5.0>You can also find our *latest* assembly instructions for **all** our current products there!If you like this **M4A3/M4A3E8 Sherman** kit, you might also want to look at our other plastic kits at www.rubiconmodels.com.For new project updates, please visit our official forum at forum.rubiconmodels.comPlease also visit our Facebook page at www.facebook.com/rubiconmodels

and like our page to show your support!

Visit one of our **Social Media** sites for a wealth of current and new product information:Website: www.rubiconmodels.comForum: forum.rubiconmodels.com
www.facebook.com/rubiconmodels
www.facebook.com/groups/rubiconmodelscommunity
www.youtube.com/rubiconmodels
280037
GMC CCKW-353
2 1/2 ton 6x6 Cargo Truck