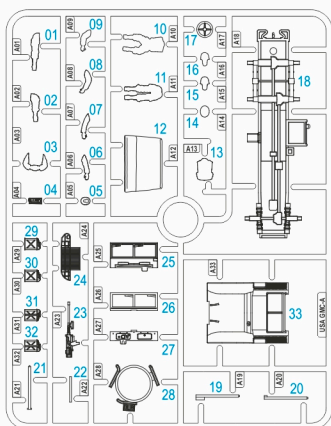


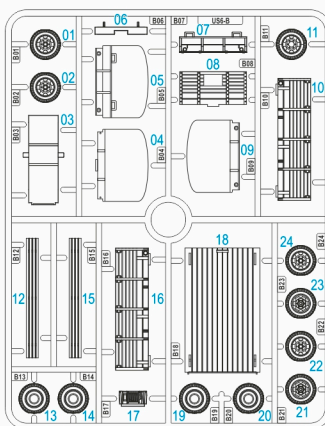


Product Code: 280037

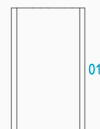
240928-1



**A**



**B**



**D**



**C**



**CAUTION**

- When you use glue or paint, do not use near a naked flame, and use in a well-ventilated area.
- When assembling this kit, tools including knives are used. Extra care should be taken to avoid personal injury.
- Keep out of reach of small children.

Read carefully and fully understand the instructions before commencing assembly. Model supplied unpainted. Bases, scenery, glue and paint not included. Meaning of symbols used:



Choices



Optional



No glue



Drill hole



Bend



Cut or trim with care

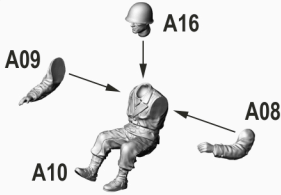
 Please use **ABS Plastic Cement** for assembly.

### WARNING

- THIS IS NOT A TOY
- INTENDED FOR COLLECTORS OF AGE 14 AND ABOVE
- CONTAINS SMALL PARTS AND POINTED COMPONENTS
- NOT SUITABLE FOR CHILDREN UNDER 6 YEARS OLD
- MODEL MAY VARY FROM IMAGE ON BOX
- READY TO ASSEMBLE PRECISION MODEL KIT

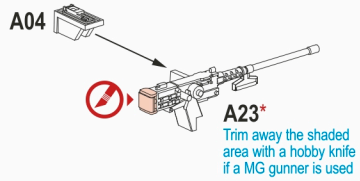
# 1

## Truck Driver Optional



# 2

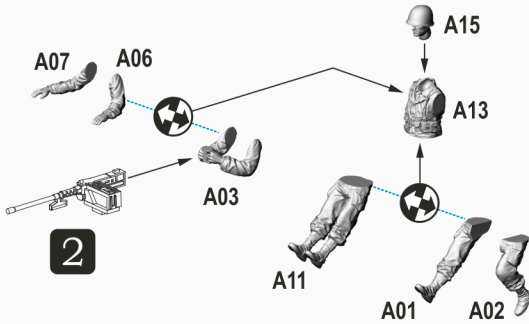
## M2 Browning Machine Gun Optional



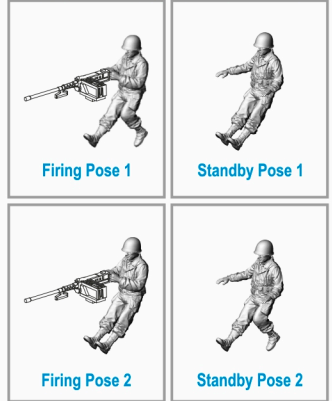
\* Always **BE CAREFUL** when using a sharp object!

# 3

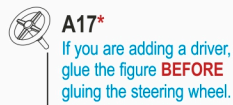
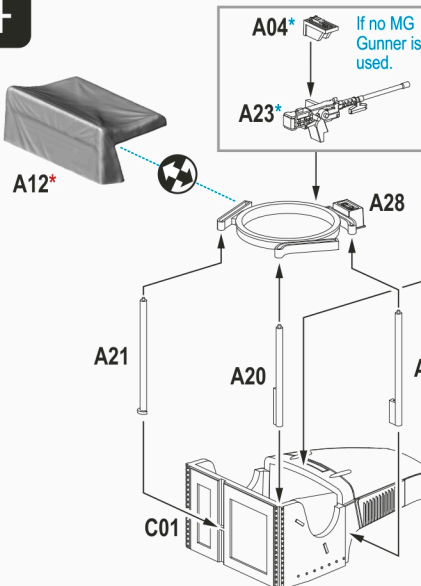
## MG Gunner Optional



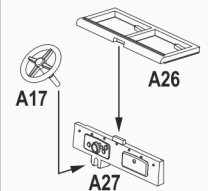
## Possible Poses for MG Gunner



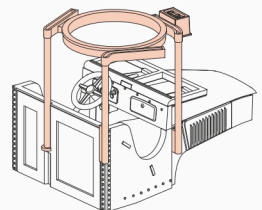
# 4



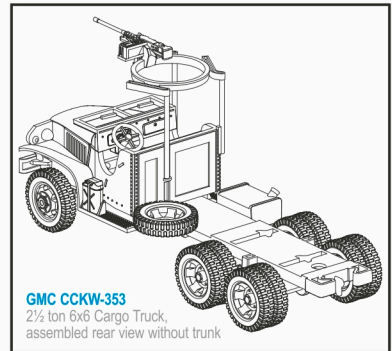
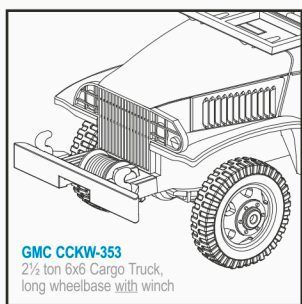
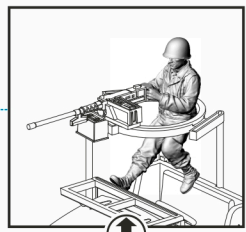
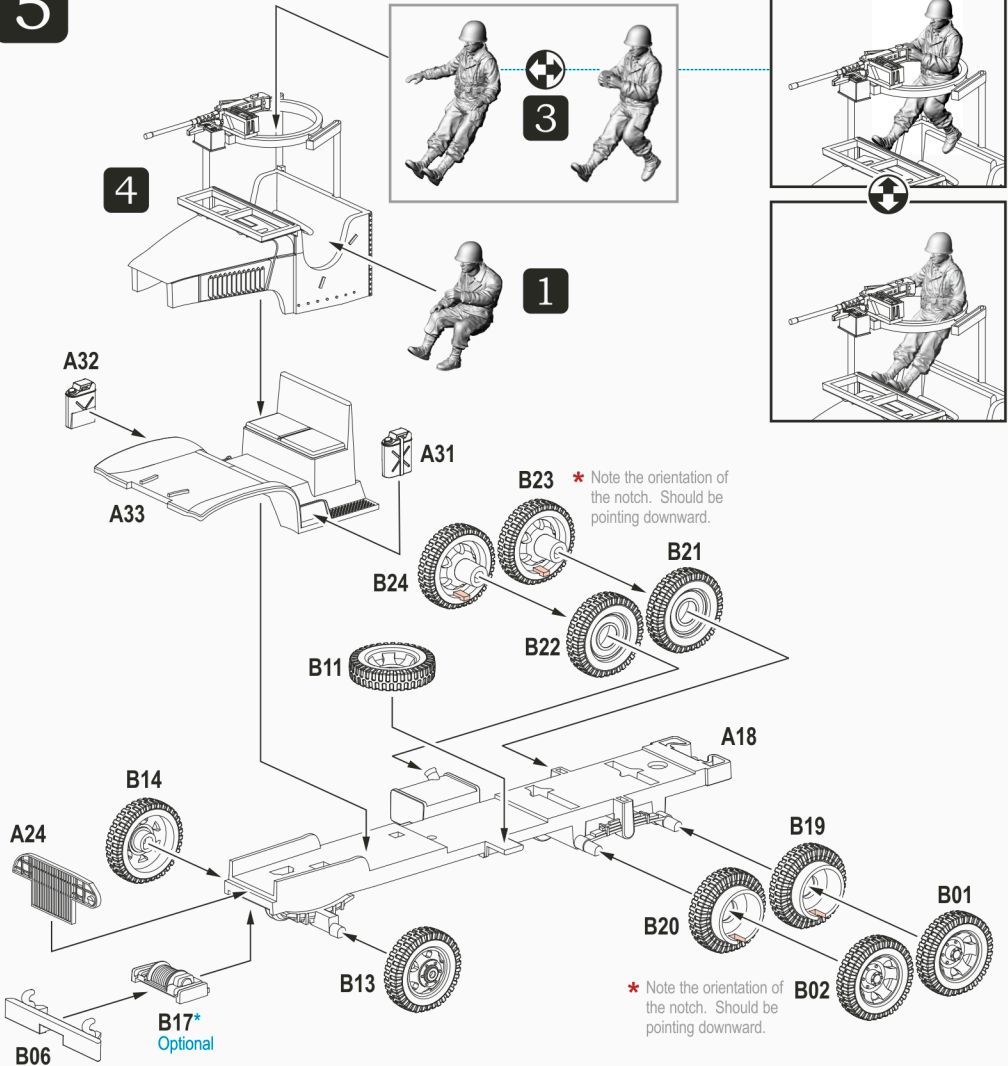
\* Windshield in folded down position if the Gun Ring is being used.



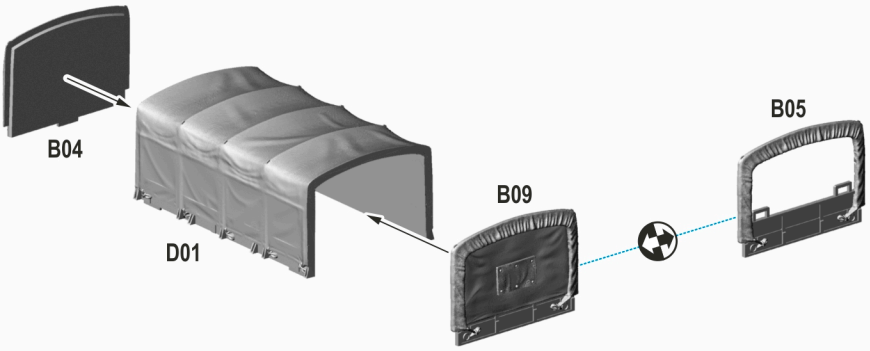
\* When you choose to use the Drive Cabin Canvas Top (A12), the Gun Ring (A19, A20, A21 & A28) together with the HMG (A04 & A23) can be omitted.



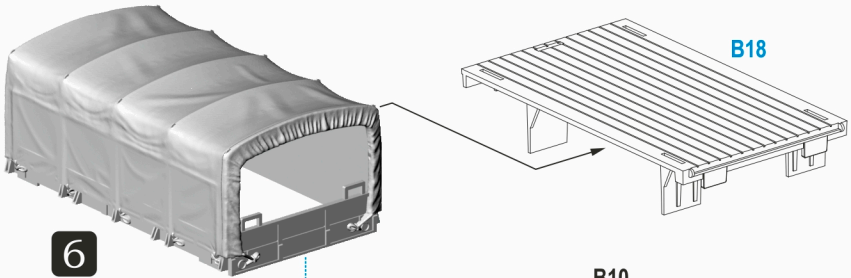
# 5



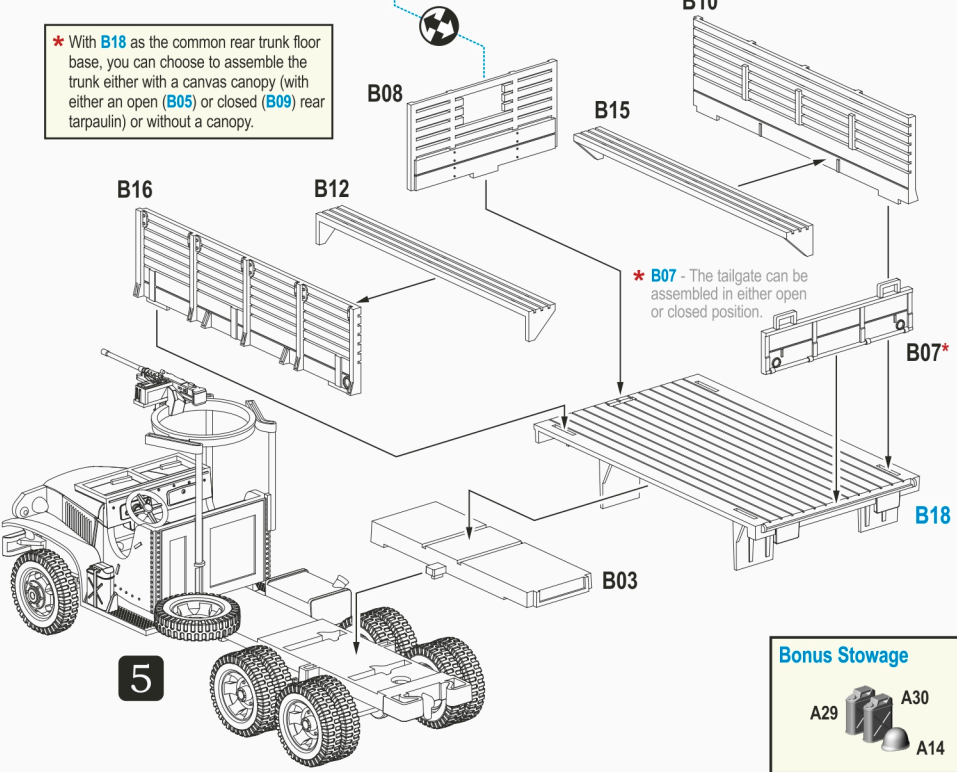
6



7



\* With **B18** as the common rear trunk floor base, you can choose to assemble the trunk either with a canvas canopy (with either an open (**B05**) or closed (**B09**) rear tarpaulin) or without a canopy.



\* **B07** - The tailgate can be assembled in either open or closed position.

**Bonus Storage**