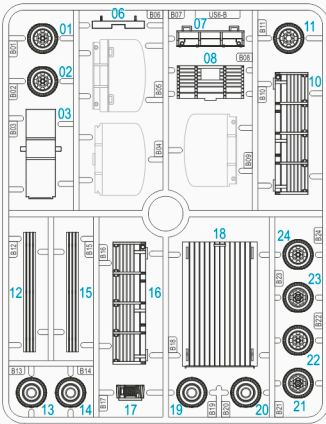


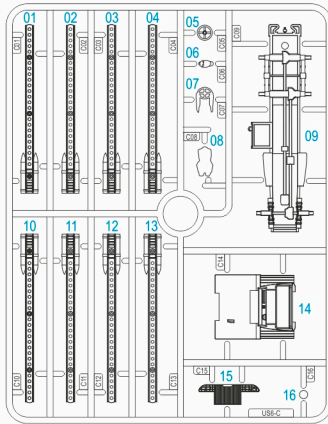


Product Code: 280036

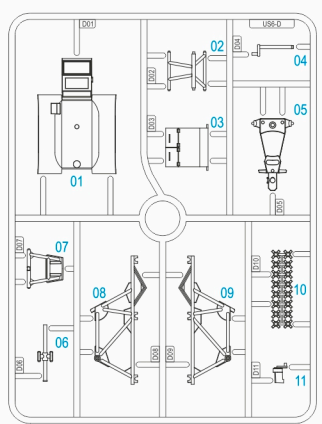
240928-1



B



C



D



CAUTION

- When you use glue or paint, do not use near a naked flame, and use in a well-ventilated area.
- When assembling this kit, tools including knives are used. Extra care should be taken to avoid personal injury.
- Keep out of reach of small children.

Read carefully and fully understand the instructions before commencing assembly. Model supplied unpainted. Bases, scenery, glue and paint not included. Meaning of symbols used:



Choices



Optional



No glue



Drill hole



Bend



Cut or trim with care

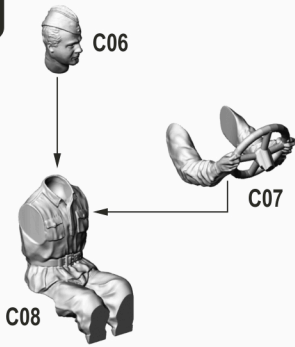
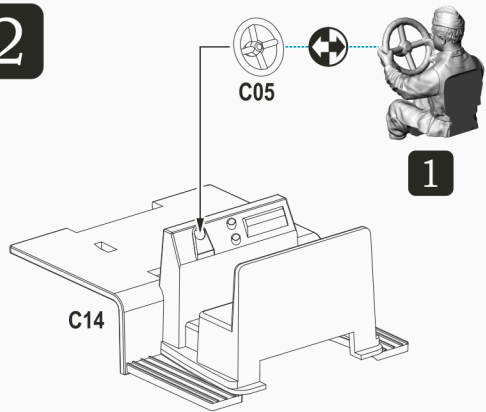
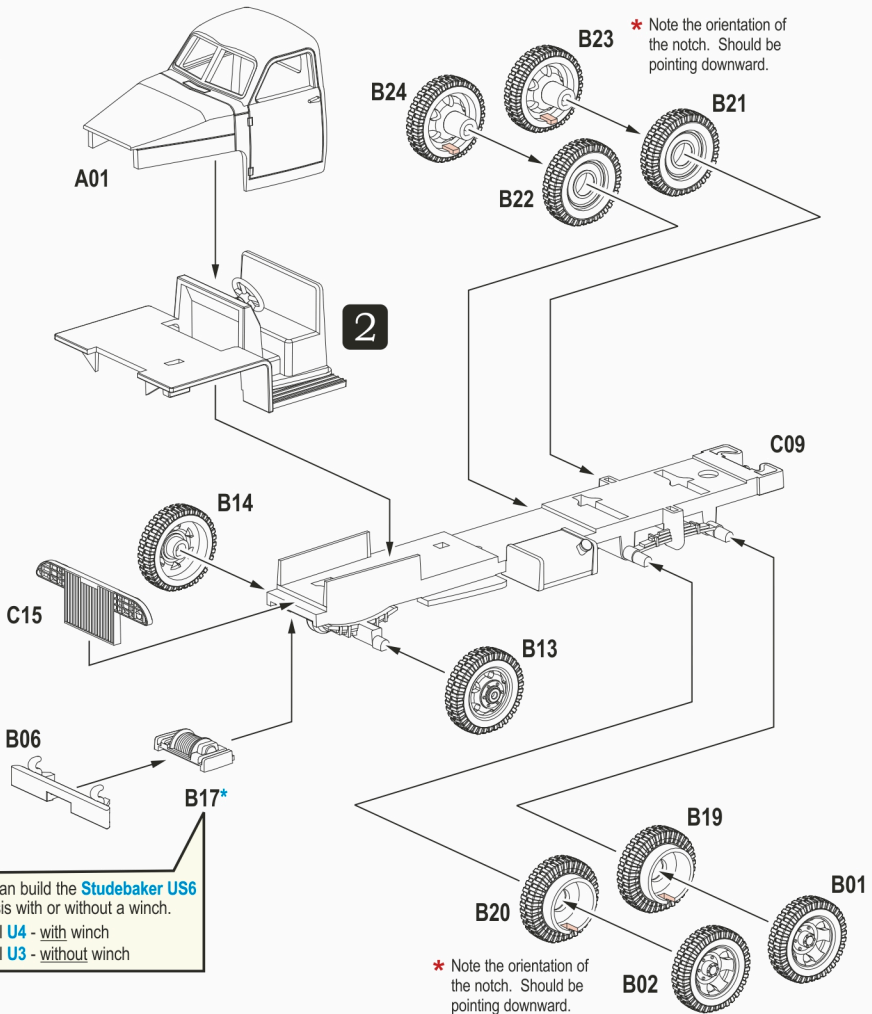
Please use **ABS Plastic Cement** for assembly.



A
01

WARNING

- THIS IS NOT A TOY
- INTENDED FOR COLLECTORS OF AGE 14 AND ABOVE
- CONTAINS SMALL PARTS AND POINTED COMPONENTS
- NOT SUITABLE FOR CHILDREN UNDER 6 YEARS OLD
- MODEL MAY VARY FROM IMAGE ON BOX
- READY TO ASSEMBLE PRECISION MODEL KIT

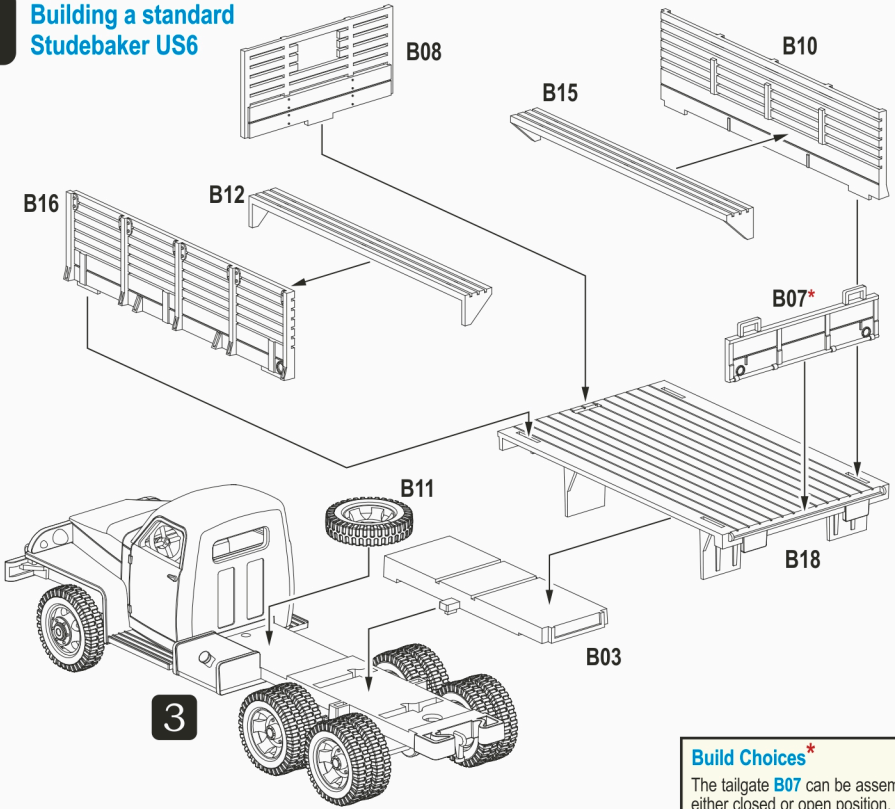
1**2****3**

You can build the **Studebaker US6** chassis with or without a winch.
 Model **U4** - with winch
 Model **U3** - without winch

* Note the orientation of the notch. Should be pointing downward.

4

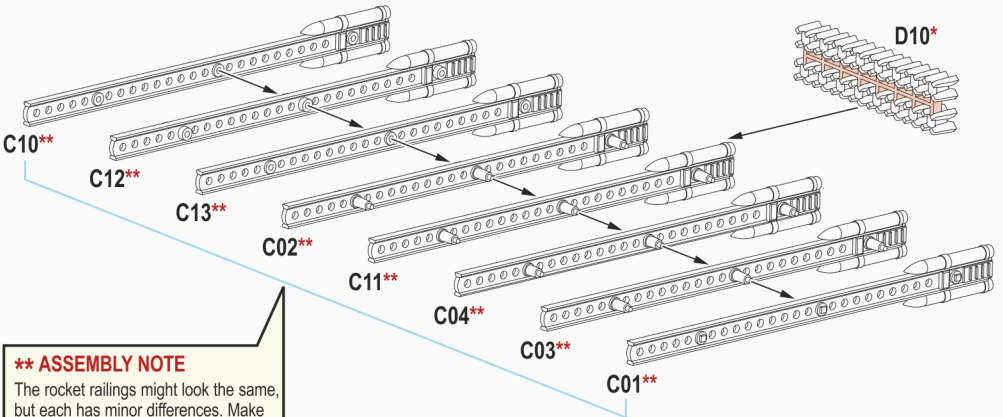
Building a standard Studebaker US6



Build Choices*
 The tailgate **B07** can be assembled in either closed or open position.

5

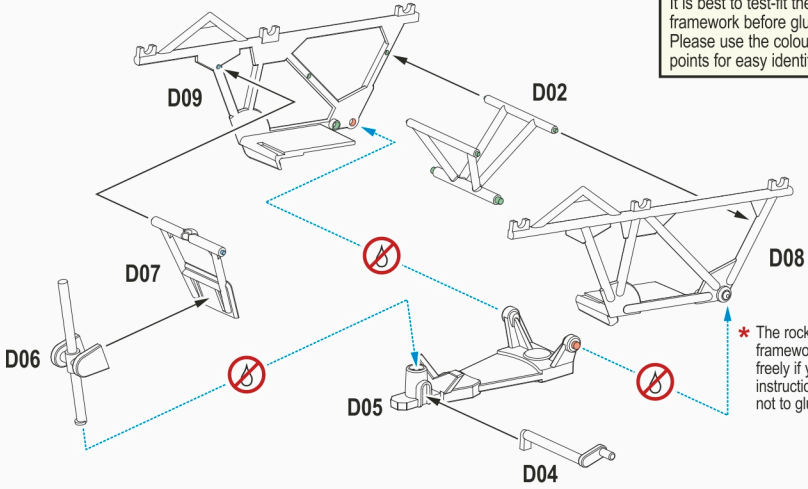
Building a BM-13 Multiple Rocket Launchers



For Experienced Modellers*
 To make more realistic-looking rockets, you can remove the support frame from the tail fins (**D10**) with a sharp hobby knife.

**** ASSEMBLY NOTE**
 The rocket railings might look the same, but each has minor differences. Make sure to **pay extra attention** when assembling these railings!

6



Assembly Tips

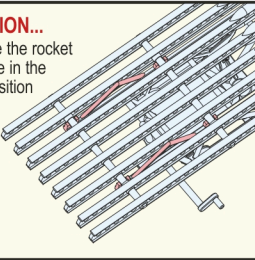
It is best to test-fit the rocket launcher framework before gluing it together. Please use the colour-coded joint points for easy identification.

* The rocket launcher framework can elevate freely if you follow the instructions and choose not to glue them together.

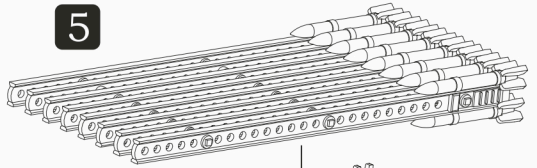
7

ATTENTION...

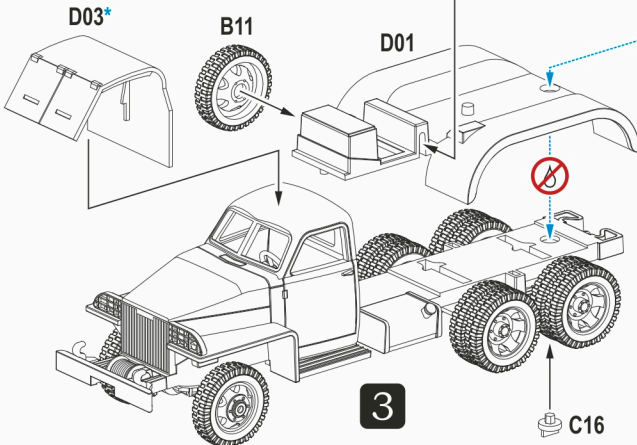
Make sure the rocket railings are in the correct position as shown.



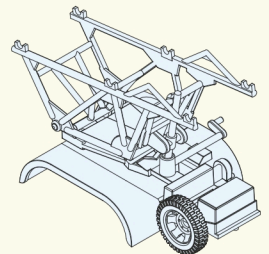
5



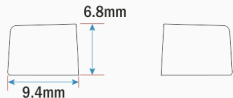
6



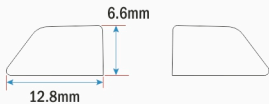
Left side view of the Rear Assembly



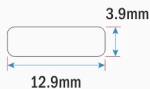
Front



Side

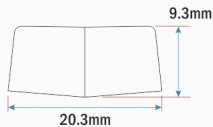


Rear

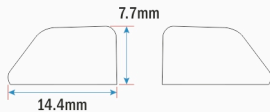


Actual Size Template

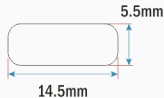
Front



Side



Rear



Enlarged for Internal Fixation

**Studebaker US6
Windshield Template (180403)**