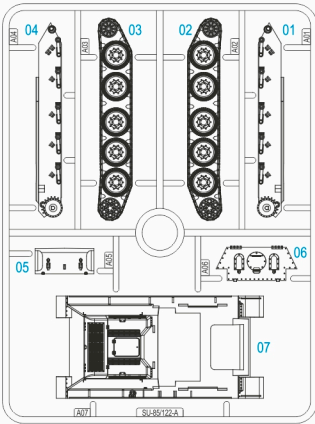
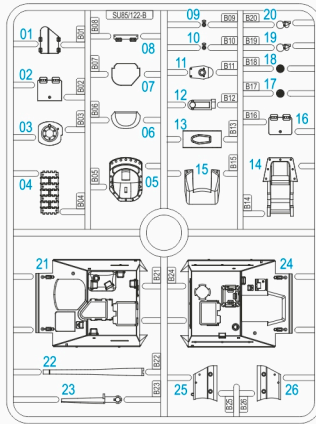




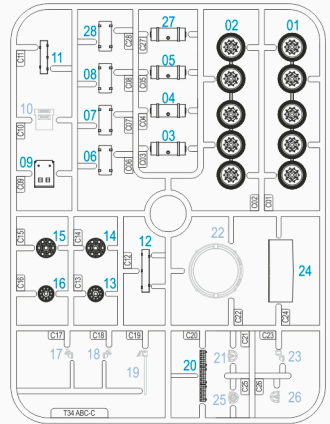
Product Code: 280034
220503-1



A



B



C



- When you use glue or paint, do not use near a naked flame, and use in a well-ventilated area.
- When assembling this kit, tools including knives are used. Extra care should be taken to avoid personal injury.
- Keep out of reach of small children.

Read carefully and fully understand the instructions before commencing assembly. Model supplied unpainted. Bases, scenery, glue and paint not included. Legend used:



Choices



Optional



No glue



Drill hole



Bend



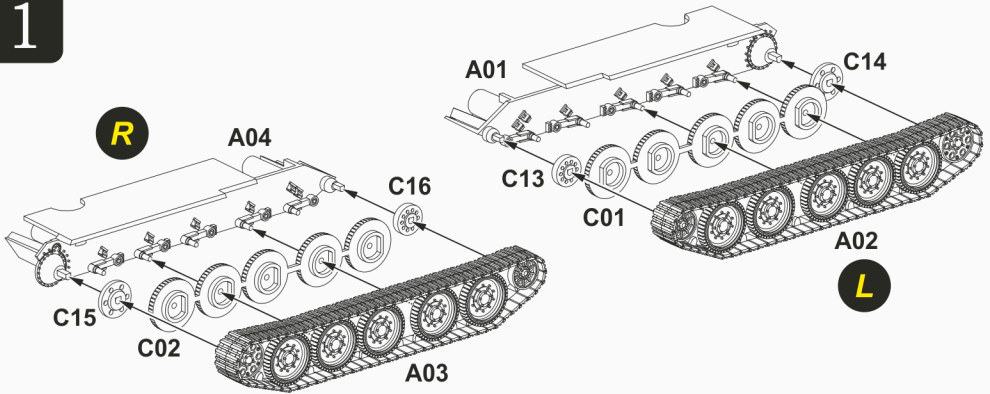
Cut or trim with care

 Please use **ABS Plastic Cement** for our plastic kits.

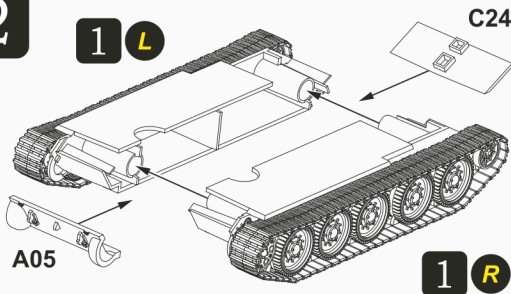
WARNING

- THIS IS NOT A TOY
- INTENDED FOR COLLECTORS OF AGE 14 AND ABOVE
- CONTAINS SMALL PARTS AND POINTED COMPONENTS
- NOT SUITABLE FOR CHILDREN UNDER 6 YEARS OLD
- MODEL MAY VARY FROM IMAGE ON BOX
- READY TO ASSEMBLE PRECISION MODEL KIT

1

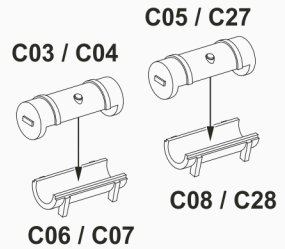


2



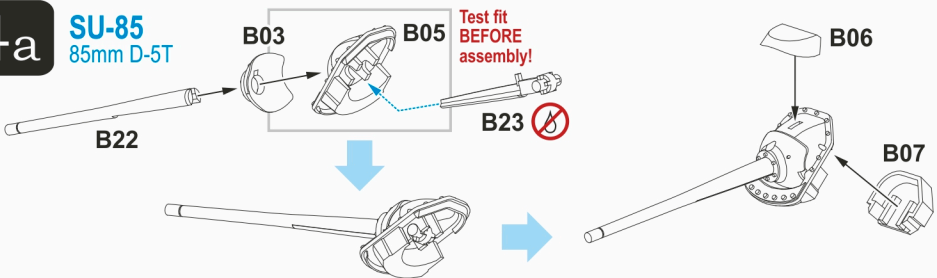
3

Fuel Tanks x4



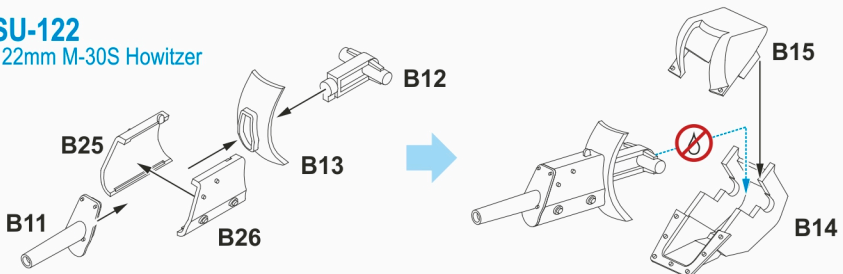
4a

SU-85 85mm D-5T



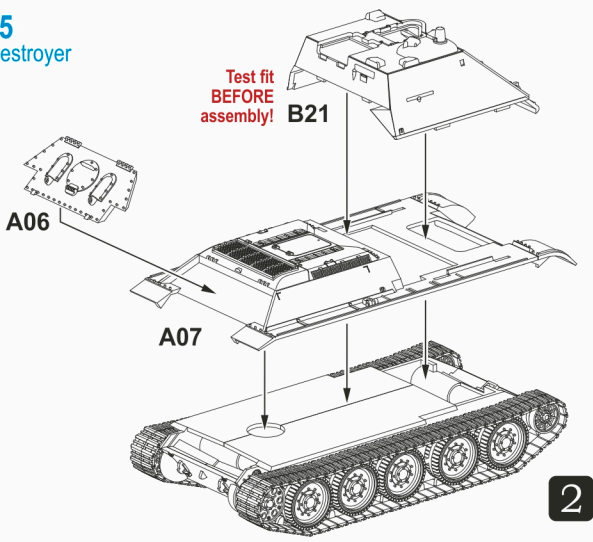
4b

SU-122 122mm M-30S Howitzer



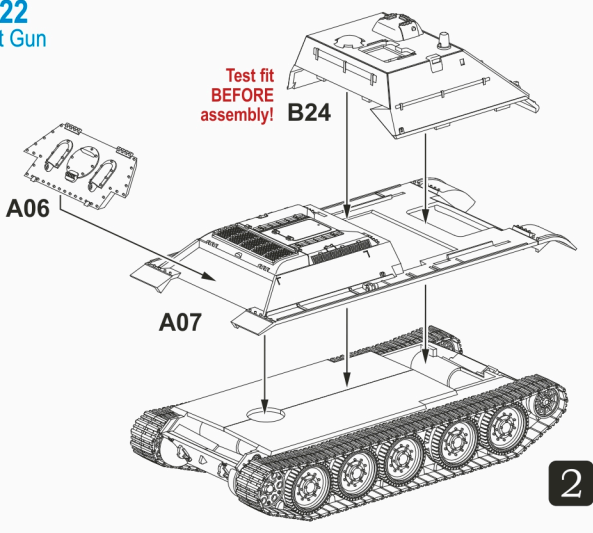
5a

SU-85
Tank Destroyer



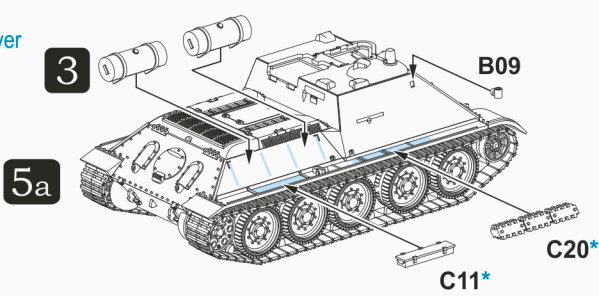
5b

SU-122
Assault Gun

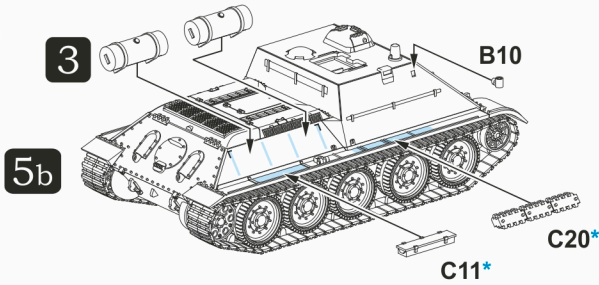


6a

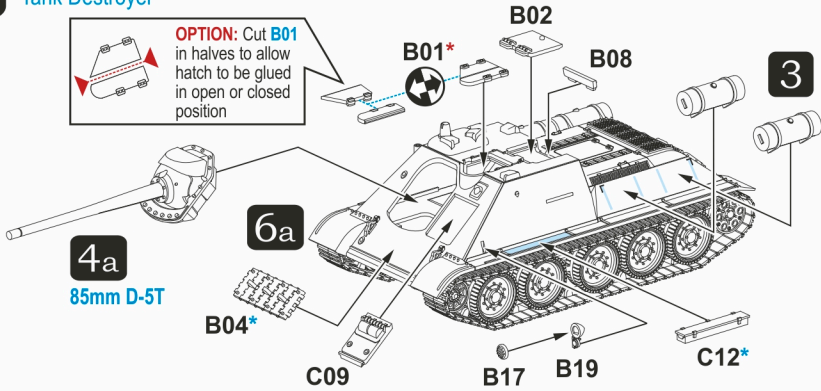
SU-85
Tank Destroyer



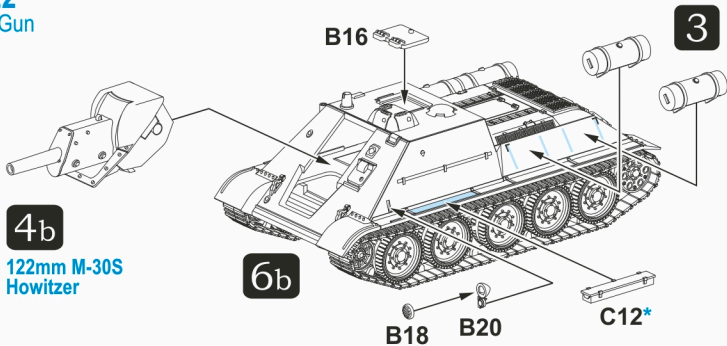
* Optional

6b**SU-122**
Assault Gun

* Optional

7a**SU-85**
Tank Destroyer

* Optional

7b**SU-122**
Assault Gun

* Optional



For new project updates, please visit our official forum at <http://forum.rubiconmodels.com/index.php> or visit our website at www.rubiconmodels.com for more product info.



Please visit our Facebook page at www.facebook.com/rubiconmodels



Please also visit our Facebook community page at www.facebook.com/groups/RubiconModelsCommunity



and like our page to show your support!

If you like this kit, you might wanted to look at our **Studebaker US6 with BM-13 Katyusha MRL (280036)**. Also available at a brick and mortar store near you!

