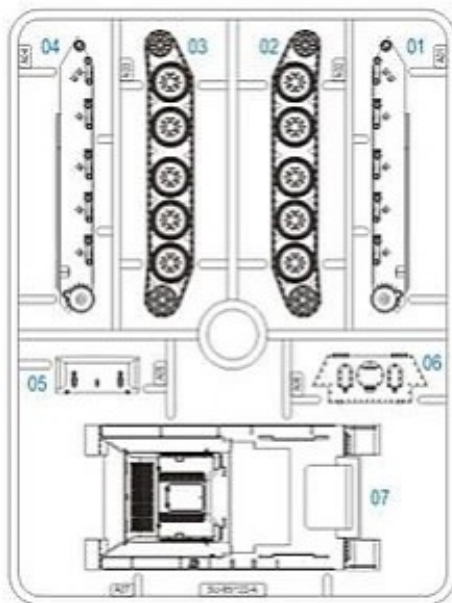
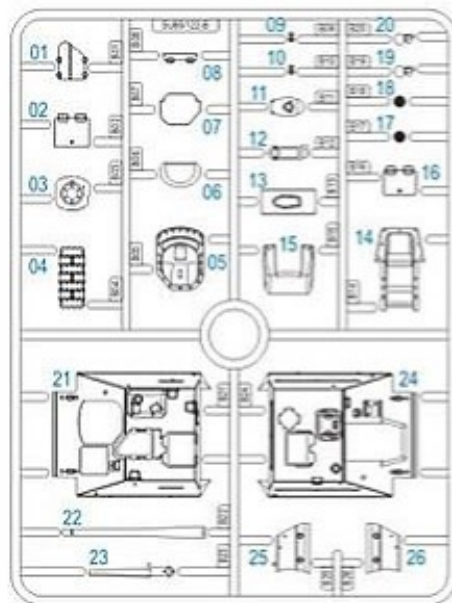


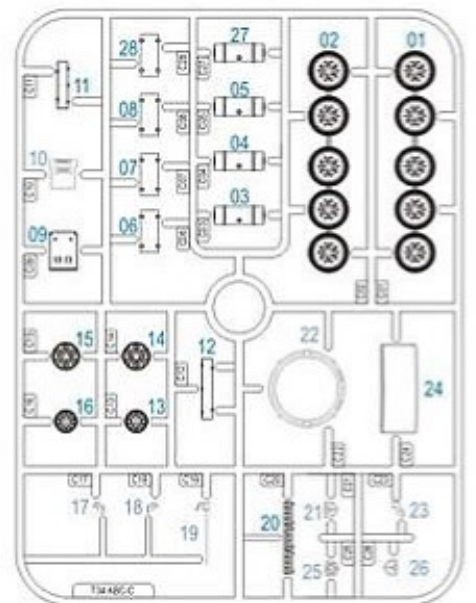
Product Code: 280034



**A**



**B**



**C**



- When you use glue or paint, do not use near a naked flame, and use in a well-ventilated area.
- When assembling this kit, tools including knives are used. Extra care should be taken to avoid personal injury.
- Keep out of reach of small children.

Read carefully and fully understand the instructions before commencing assembly. Model supplied unpainted. Bases, scenery, glue and paint not included. Meaning of symbols used:



Choices



Optional



No glue



Drill hole

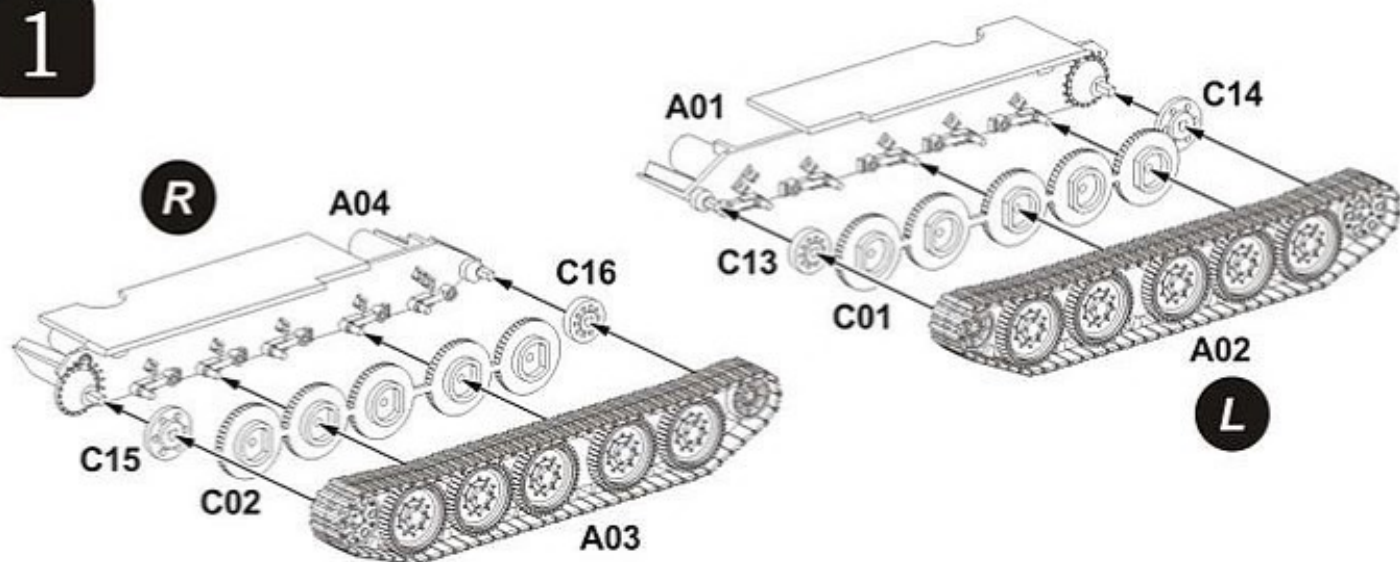
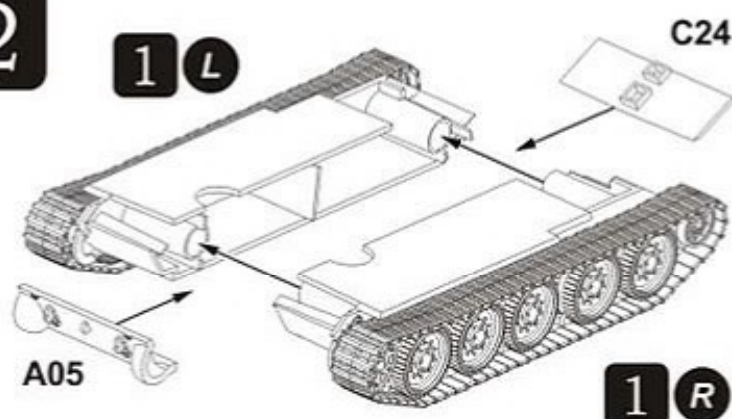


Bend

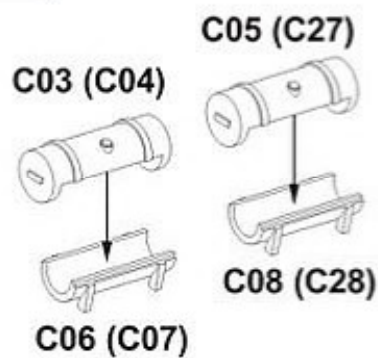
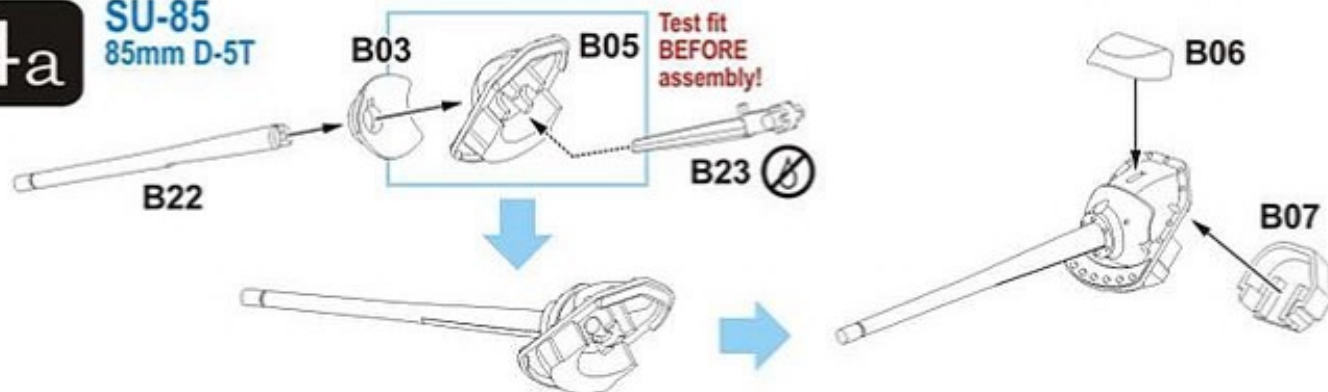
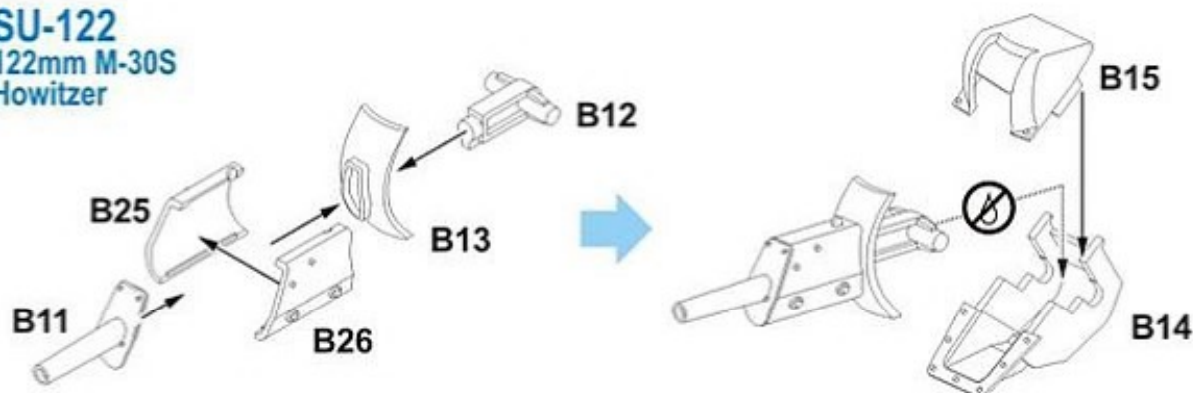
**WARNING:**

Contains small parts which may be hazardous to children under 14 years of age.



**1****2****3**

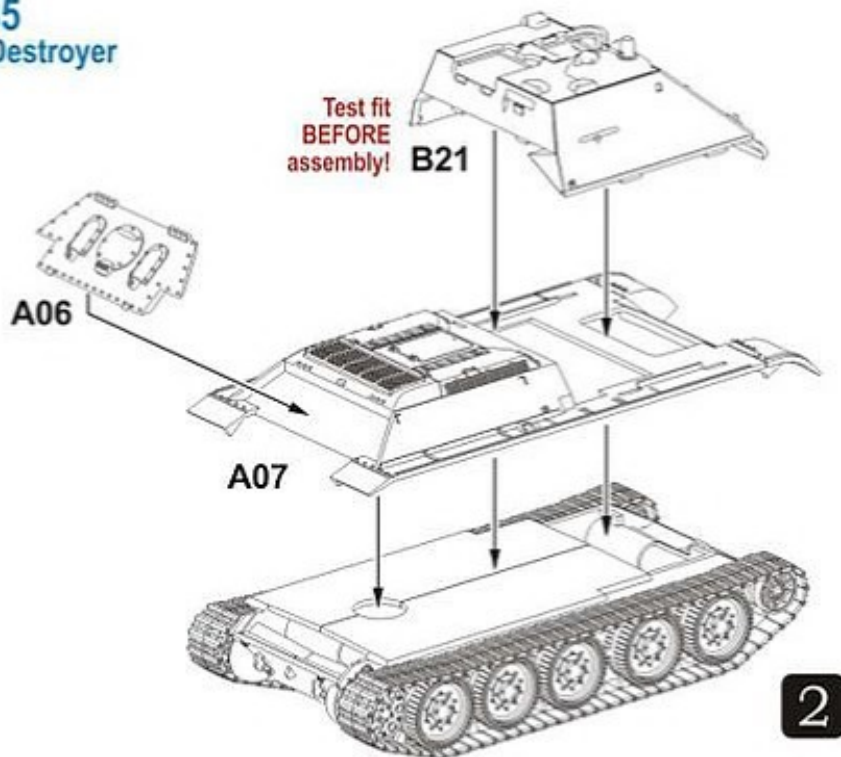
Fuel Tanks x 4

**4a**SU-85  
85mm D-5T**4b**SU-122  
122mm M-30S  
Howitzer



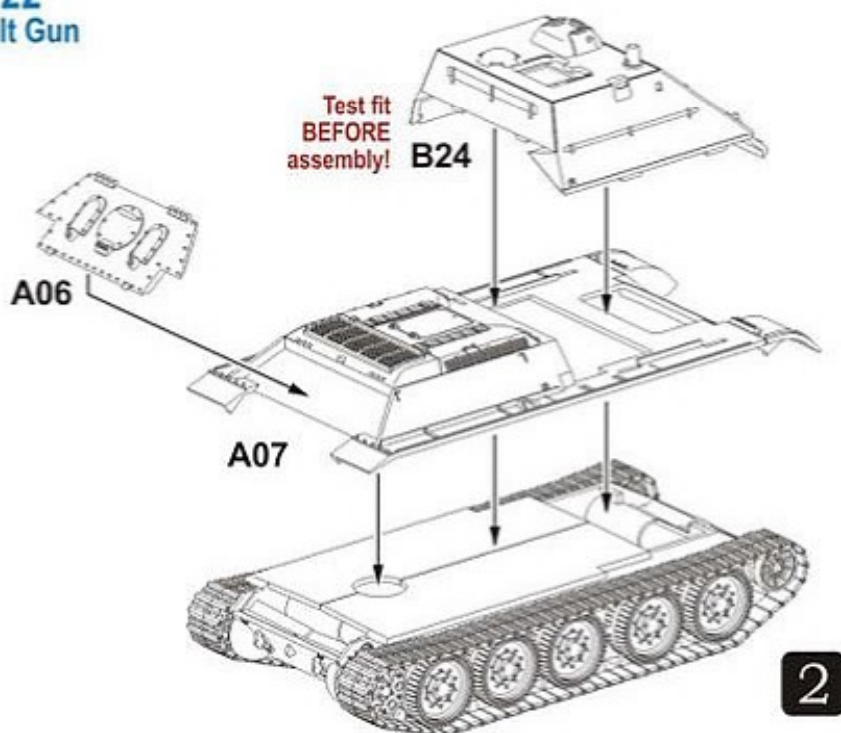
5a

SU-85  
Tank Destroyer



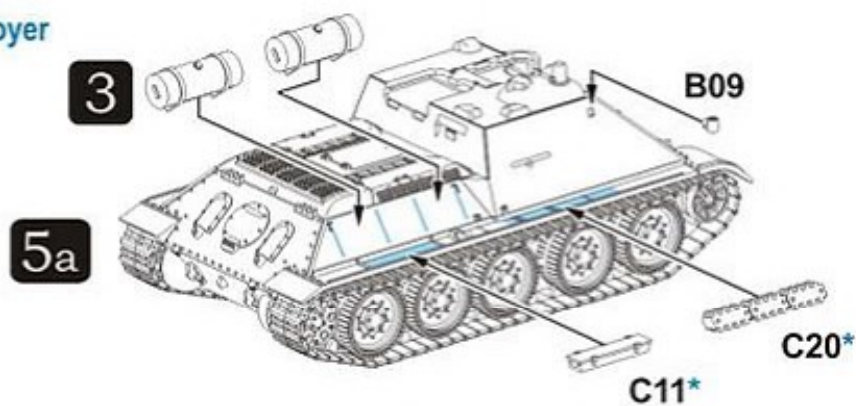
5b

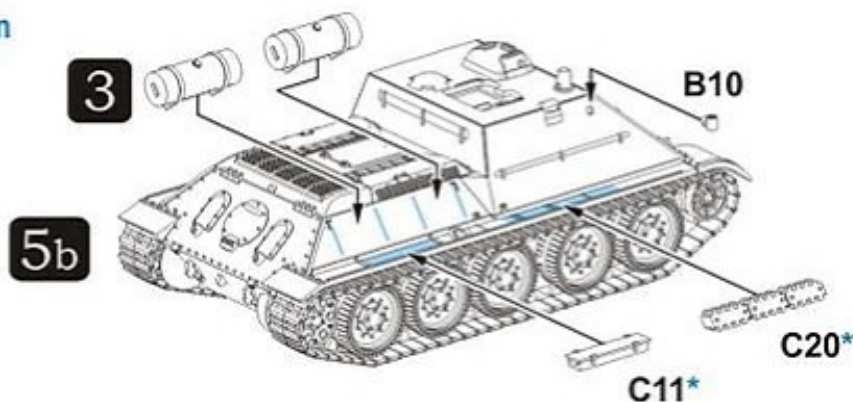
SU-122  
Assault Gun



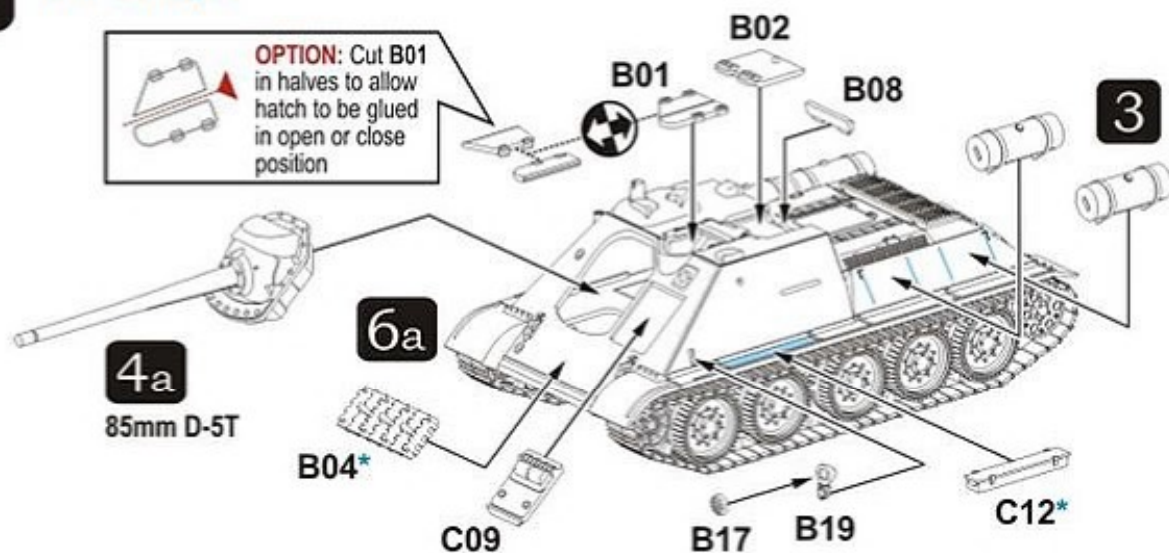
6a

SU-85  
Tank Destroyer

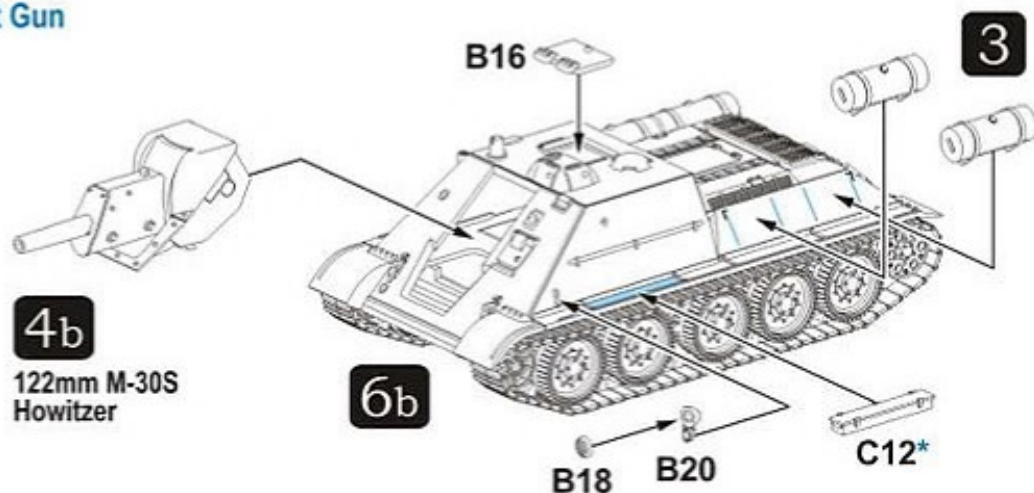


**6b****SU-122  
Assault Gun**

\* Optional

**7a****SU-85  
Tank Destroyer**

\* Optional

**7b****SU-122  
Assault Gun**

\* Optional



For new project updates, please visit our official forum at <http://forum.rubiconmodels.com/index.php> or visit our website at [www.rubiconmodels.com](http://www.rubiconmodels.com) for more product info.



Please visit our Facebook page at [www.facebook.com/rubiconmodels](https://www.facebook.com/rubiconmodels)



Please also visit our Facebook community page at [www.facebook.com/groups/RubiconModelsCommunity](https://www.facebook.com/groups/RubiconModelsCommunity)



and like our page to show your support!

If you like this kit, you might want to look at our Studebaker US6 with BM-13 Katyusha MRL (280036). Also available at a brick and mortar store near you!

