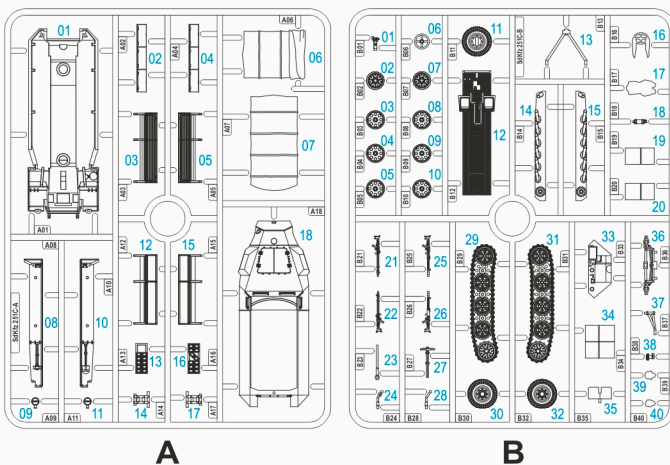




Product Code: 280031
200818-1



A

B



- When you use glue or paint, do not use near a naked flame, and use in a well-ventilated area.
- When assembling this kit, tools including knives are used. Extra care should be taken to avoid personal injury.
- Keep out of reach of small children.

Read carefully and fully understand the instructions before commencing assembly. Model supplied unpainted. Bases, scenery, glue and paint not included. Meaning of symbols used:



Choices



Optional



No glue



Drill hole



Bend

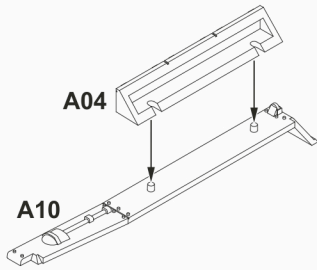
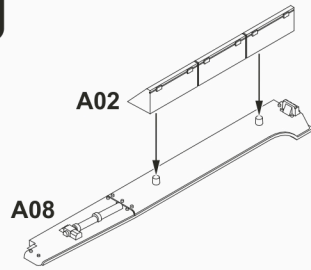
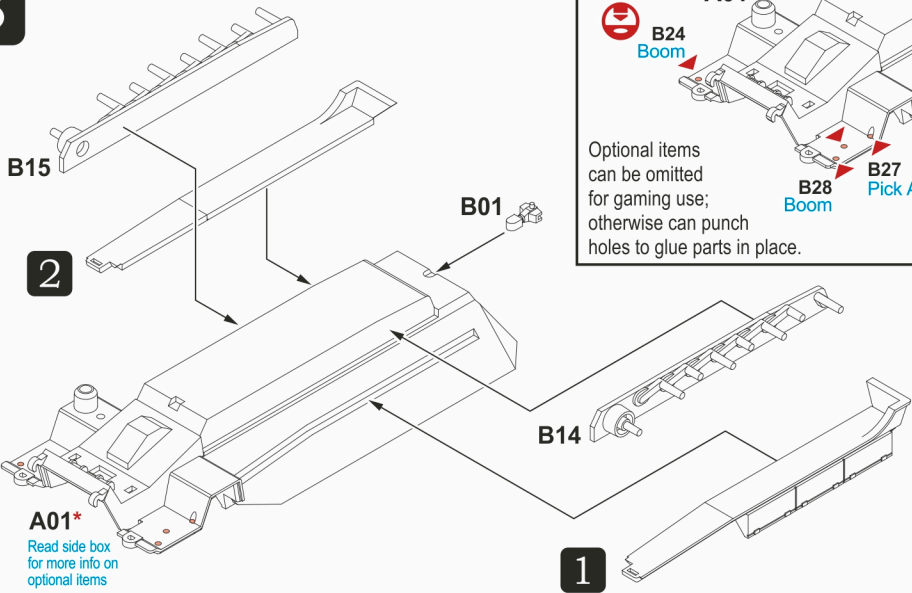
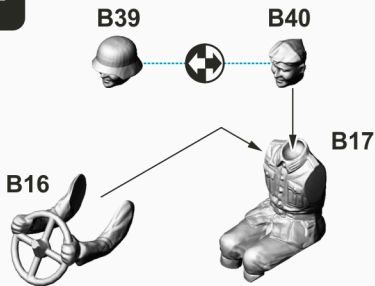
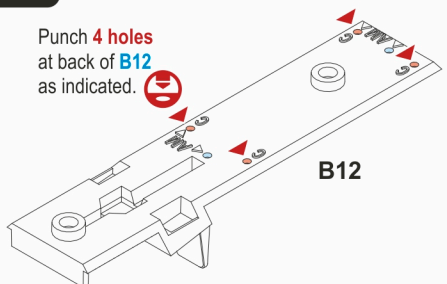


Cut or trim with care

 Please use **ABS Plastic Cement** for assembly.

WARNING

- THIS IS NOT A TOY
- INTENDED FOR COLLECTORS OF AGE 14 AND ABOVE
- CONTAINS SMALL PARTS AND POINTED COMPONENTS
- NOT SUITABLE FOR CHILDREN UNDER 6 YEARS OLD
- MODEL MAY VARY FROM IMAGE ON BOX
- READY TO ASSEMBLE PRECISION MODEL KIT

1**2****3****4****5**

6

With Driver

4



A03
Bench Seat
(Late)

A15
Leather Seat
(Early & Mid)

A12

A05

Without Driver
B06

3

B33

5

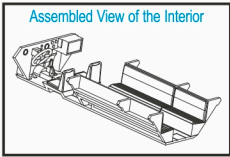
B27*

B28*

B24*

A09

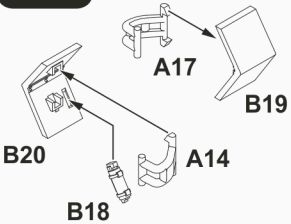
A11



* Optional

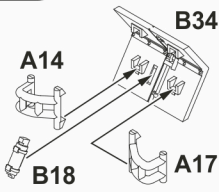
7a

Rear Exit
Door Open



7b

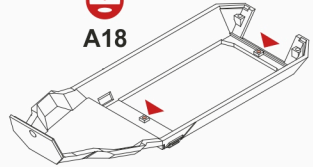
Rear Exit
Door Closed



Machine Gun
Mounting Hole



A18

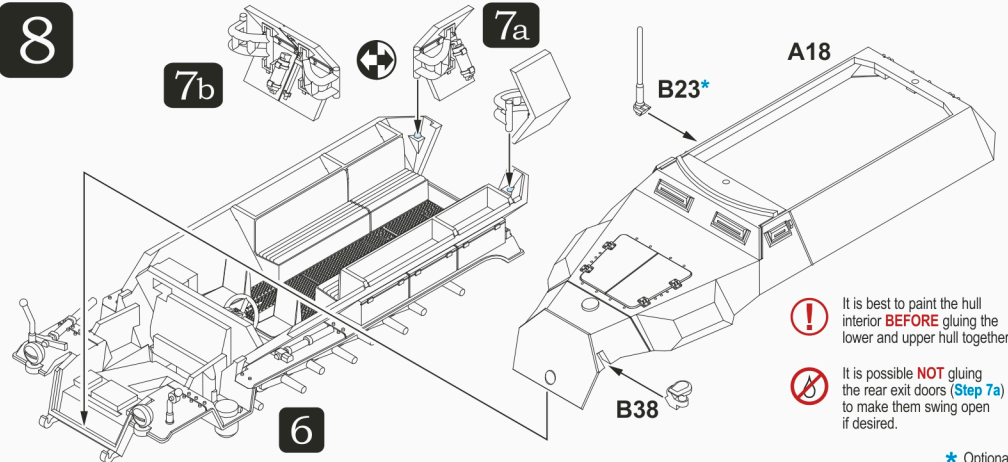


If you want Machine Gun to be used on your vehicle, **punch two holes** at the back of **A18** as shown.

8

7b

7a



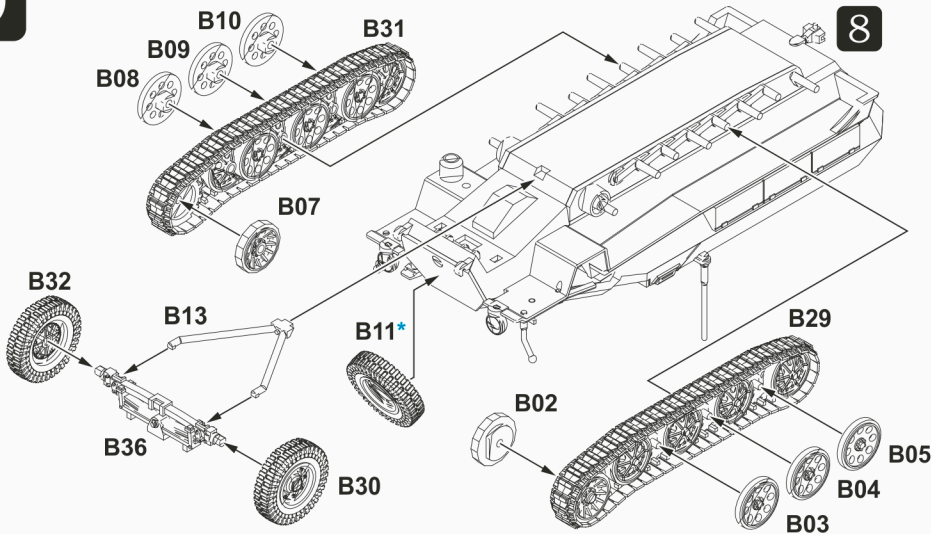
It is best to paint the hull interior **BEFORE** gluing the lower and upper hull together.



It is possible **NOT** gluing the rear exit doors (**Step 7a**) to make them swing open if desired.

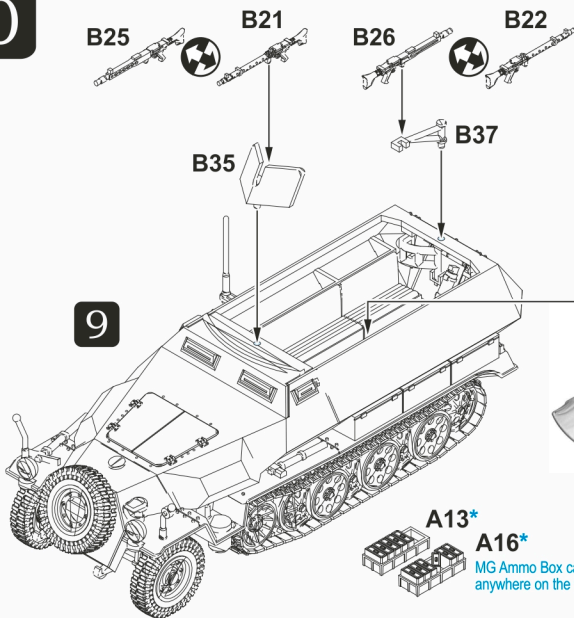
* Optional

9



* Optional

10



Machine Gun Choice:

B21/B22 MG34 Machine Gun
(manufactured until 1942)

B25/B26 MG42 Machine Gun
(from 1942 onwards)

A06*

When half canvas is used, do not install rear MG

A07*

When full canvas is used, do not install both MGs

A13* **A16***
MG Ammo Box can be placed anywhere on the vehicle

* Optional



If you like this SdKfz 251/1 Ausf C kit, you might also want to look at our 280022 **German Stowage Set 1** kit. An excellent companion product for your new halftruck!



Please also visit our Facebook page at <https://www.facebook.com/rubiconmodels>



Follow our FB page to show your support!