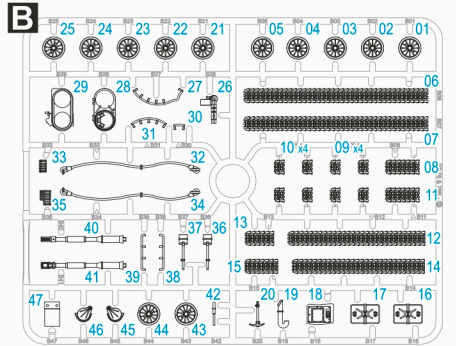
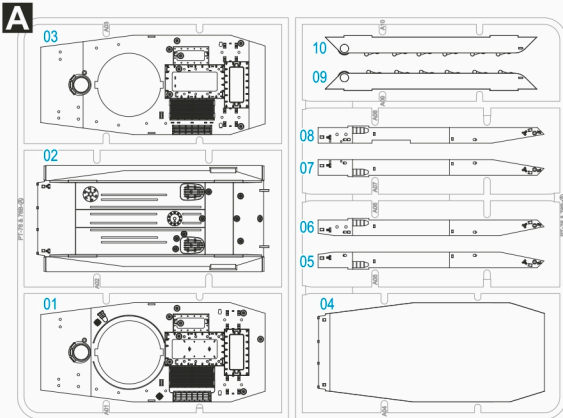
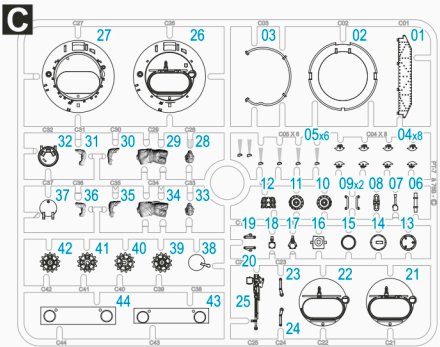




Product Code: 280129  
210825-2



**WARNING** • THIS IS NOT A TOY • INTENDED FOR COLLECTORS OF AGE 14 AND ABOVE • CONTAINS SMALL PARTS AND POINTED COMPONENTS • NOT SUITABLE FOR CHILDREN UNDER 6 YEARS OLD • MODEL MAY VARY FROM IMAGE ON BOX • READY TO ASSEMBLE PRECISION MODEL KIT



**CAUTION**

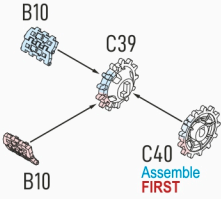
- When you use glue or paint, do not use near a naked flame, and use in a well-ventilated area.
- When assembling this kit, tools including knives are used. Extra care should be taken to avoid personal injury.
- Keep out of reach of small children.

Read carefully and fully understand the instructions before commencing assembly. Model supplied unpainted. Bases, scenery, glue and paint not included. Meaning of symbols used:

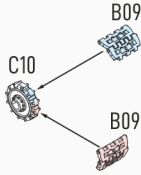
- Choices
- Optional
- No glue
- Drill hole
- Bend
- Cut or trim with care

Please use **ABS Plastic Cement** for assembly.

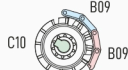
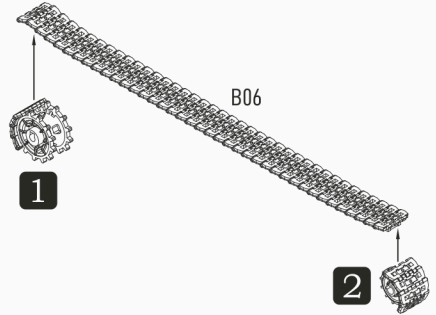
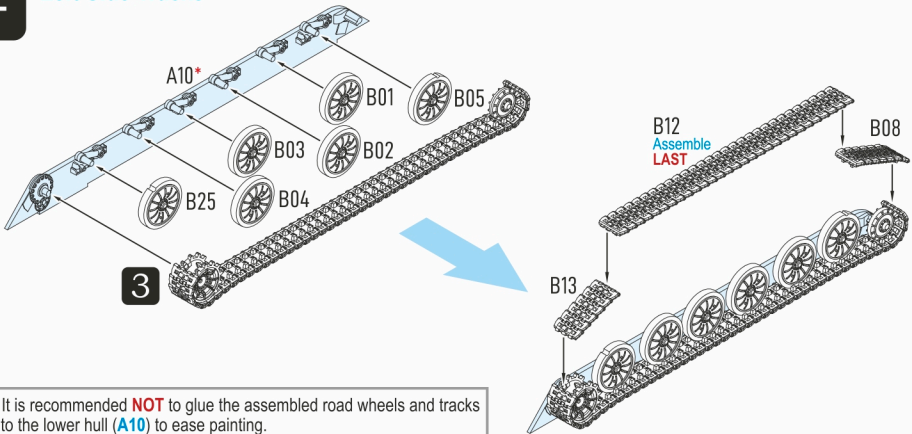
© Rubicon Models Ltd 2023. Rubicon Models, the Rubicon Models Logo are trademarks of Rubicon Models Ltd. All rights reserved.

**1****Left Side Tracks**

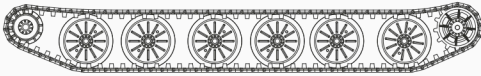
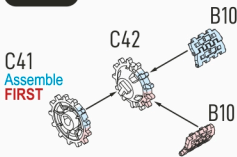
Build Reference

**2****Left Side Tracks**

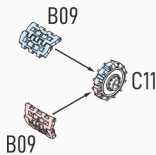
Build Reference

**3****Left Side Tracks****4****Left Side Tracks**

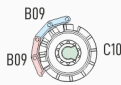
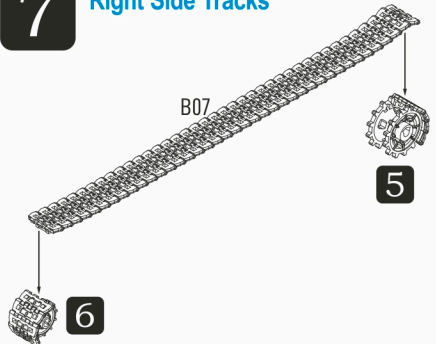
**TIPS:** It is recommended **NOT** to glue the assembled road wheels and tracks to the lower hull (**A10**) to ease painting.

**5****Right Side Tracks**

Build Reference

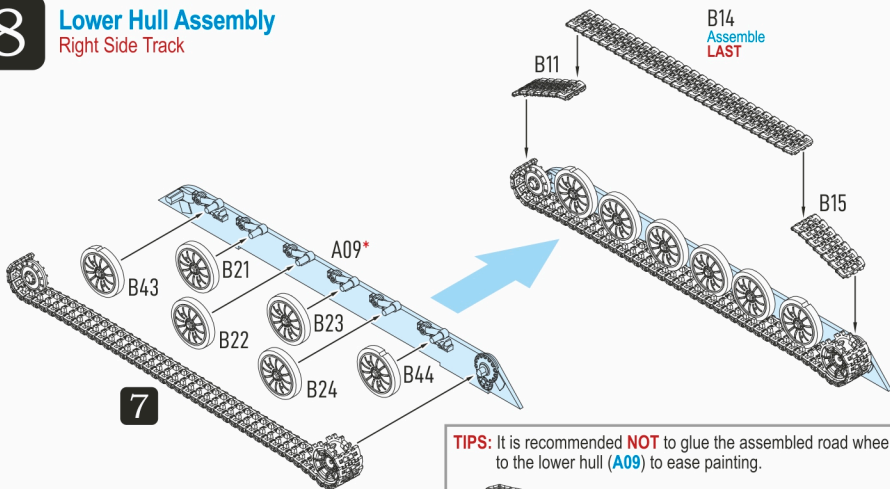
**6****Right Side Tracks**

Build Reference

**7****Right Side Tracks**

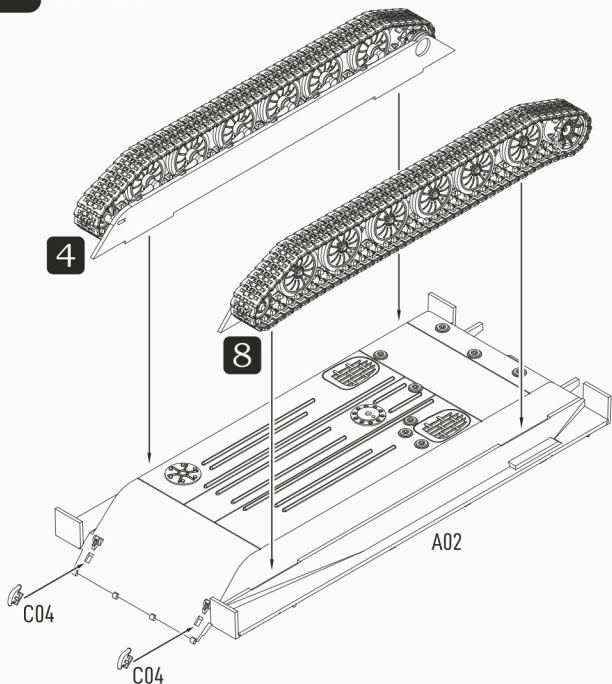
# 8

## Lower Hull Assembly Right Side Track



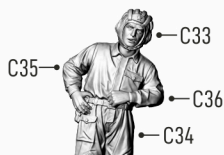
# 9

## Lower Hull Assembly Completion



# 10

## Commander Pre 1969



\* Soviet crew, not for PT-76 Vietnam variant.

# 11

## Commander Post 1969



\* Soviet crew, not for PT-76 Vietnam variant.

Continue with **Step 12** for **PT-76**

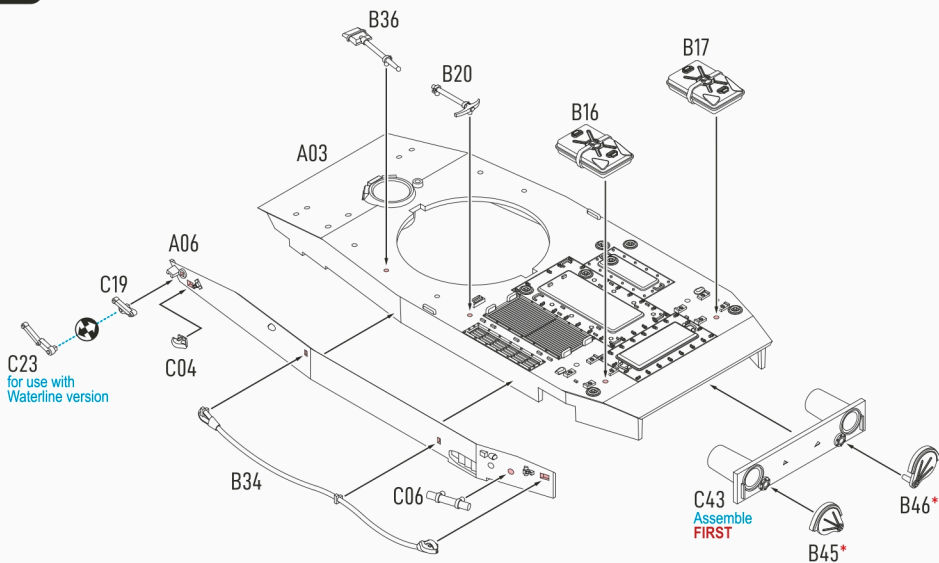
Skip to **Step 18** for **PT-76B**  
or **PT-76** (Vietnam variant)



# 12

## Upper Hull Assembly

PT-76 Left Side & Rear

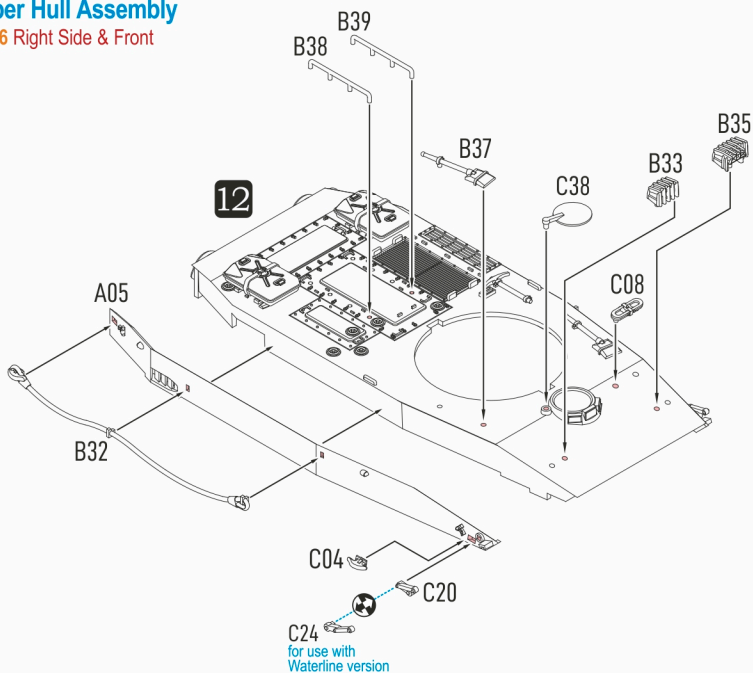


\* Can be assembled in open (waterline version) or close (land version) position

# 13

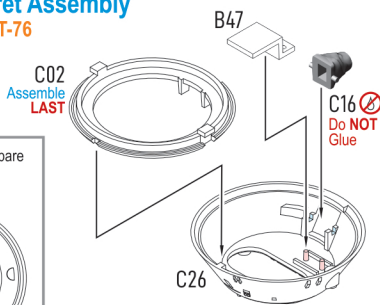
## Upper Hull Assembly

PT-76 Right Side & Front



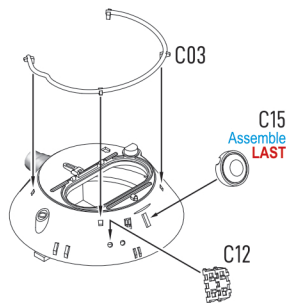
# 14 Turret Assembly for PT-76

Punch holes if spare tracks are used.



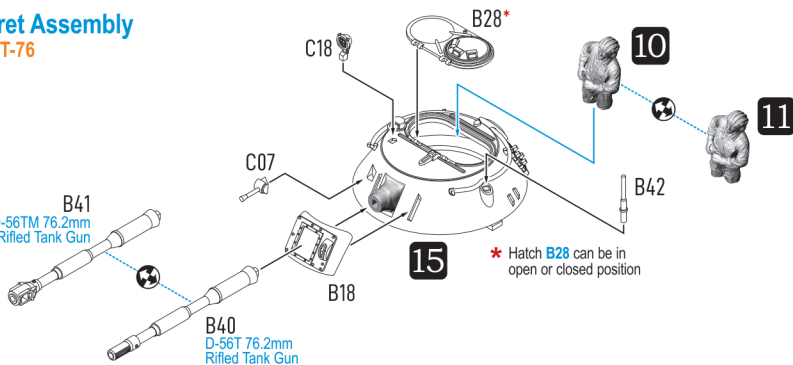
# 15 Turret Assembly for PT-76

14



# 16 Turret Assembly for PT-76

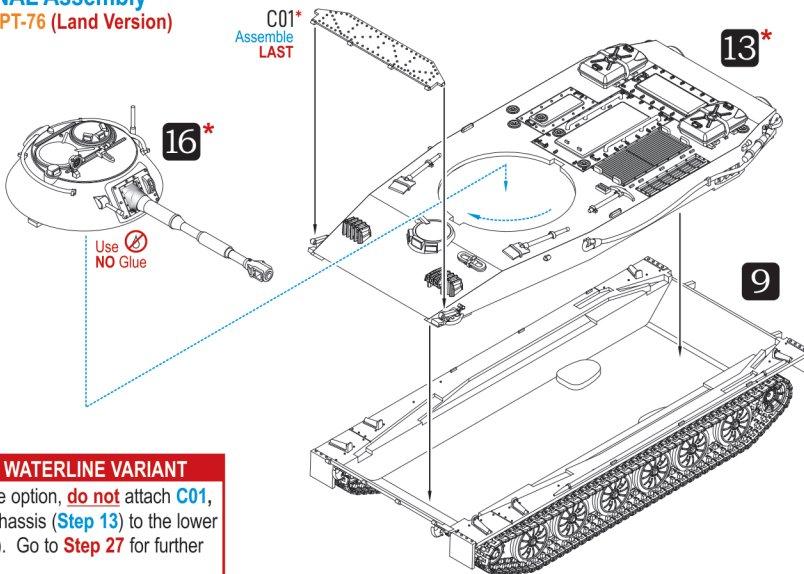
B41  
D-56TM 76.2mm  
Rifled Tank Gun



\* Hatch B28 can be in open or closed position

# 17 FINAL Assembly for PT-76 (Land Version)

Use NO Glue



## NOTE ON WATERLINE VARIANT

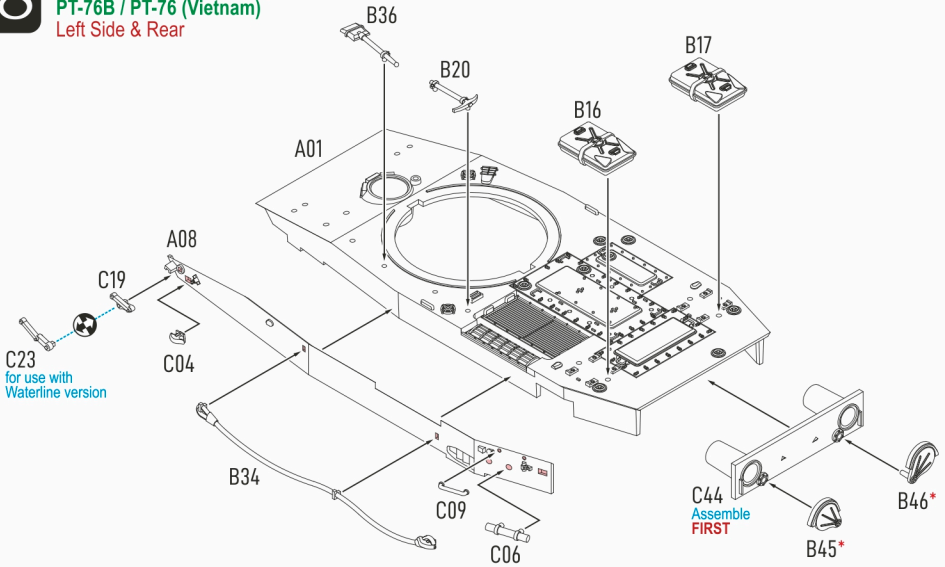
\* For waterline option, **do not** attach C01, and upper chassis (Step 13) to the lower hull (Step 9). Go to Step 27 for further instruction.

# 18

## Lower Hull Assembly

PT-76B / PT-76 (Vietnam)

Left Side & Rear



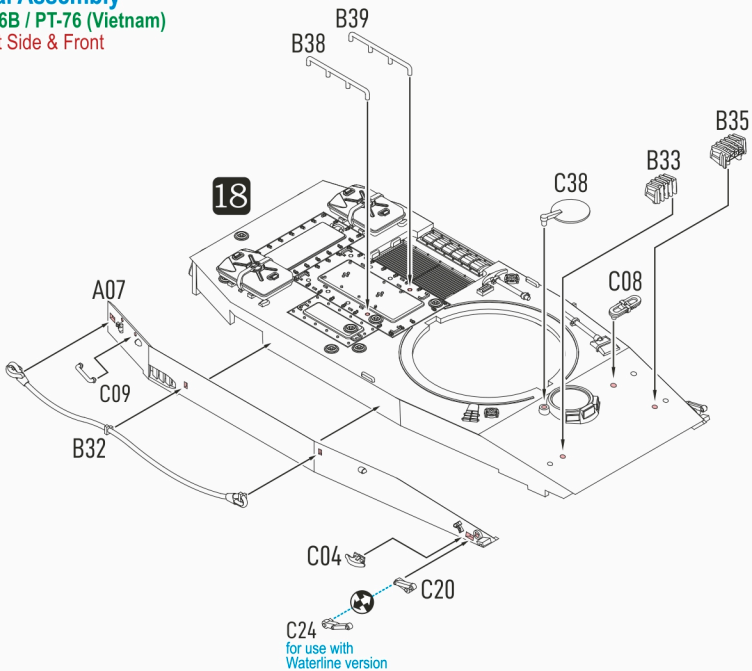
\* Can be assembled in open (waterline version) or close (land version) position

# 19

## Final Assembly

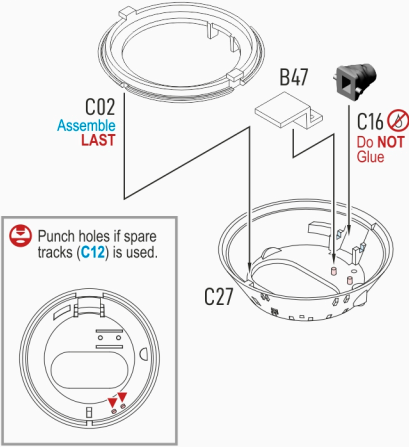
PT-76B / PT-76 (Vietnam)

Right Side & Front



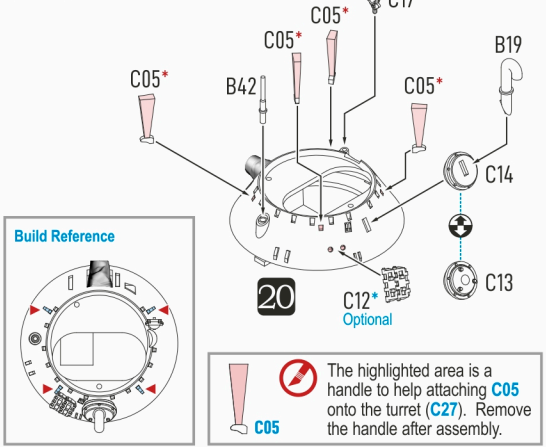
# 20

## Turret Assembly PT-76B / PT-76 (Vietnam)



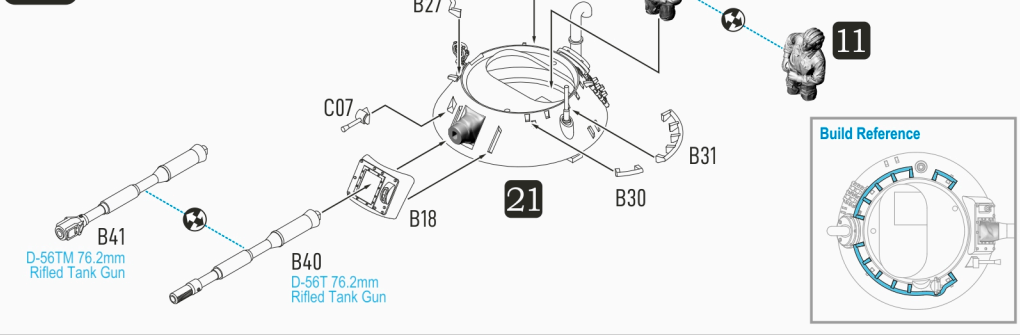
# 21

## Turret Assembly PT-76B / PT-76 (Vietnam)



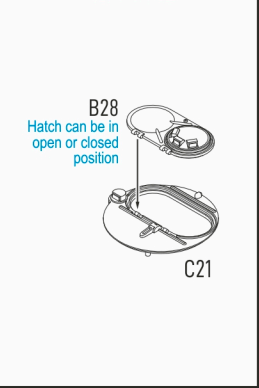
# 22

## Turret Assembly PT-76B / PT-76 (Vietnam)



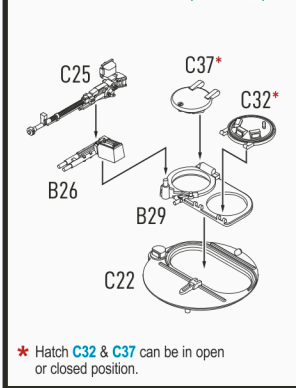
# 23

## Turret Assembly for PT-76B



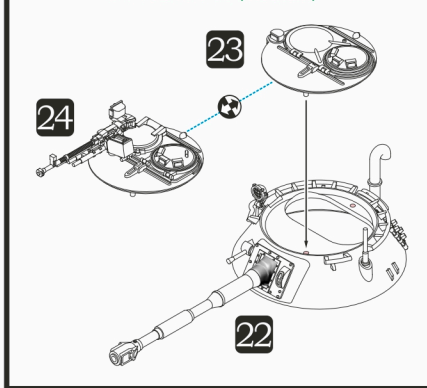
# 24

## Turret Assembly for PT-76 (Vietnam)



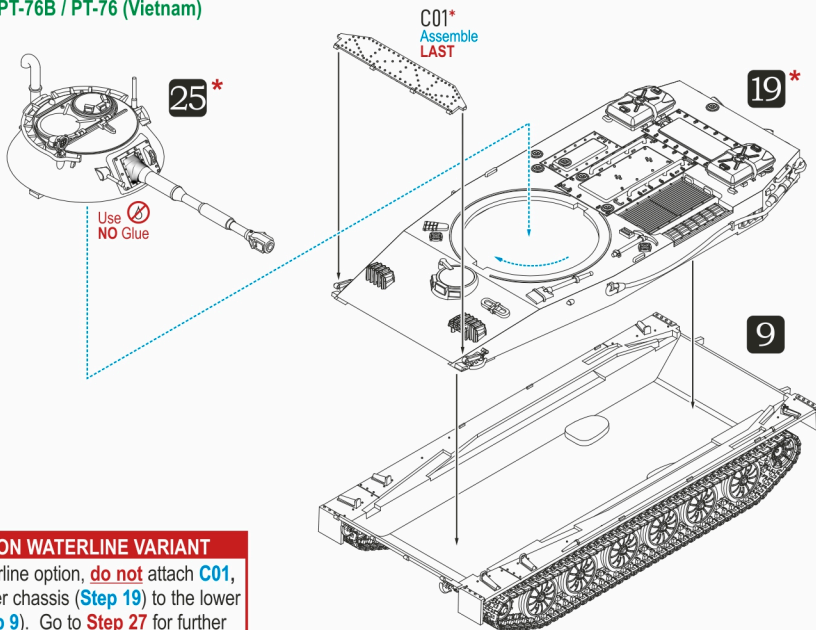
# 25

## Turret Assembly PT-76B / PT-76 (Vietnam)



# 26

## Final Assembly PT-76B / PT-76 (Vietnam)

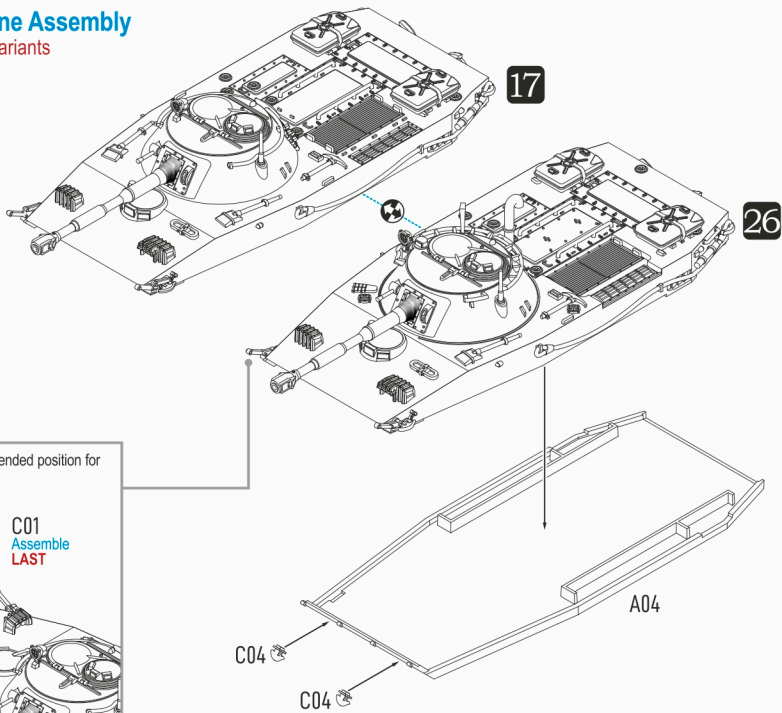


### NOTE ON WATERLINE VARIANT

\* For waterline option, **do not** attach **C01**, and upper chassis (**Step 19**) to the lower hull (**Step 9**). Go to **Step 27** for further instruction.

# 27

## Waterline Assembly for ALL variants



\* Make sure **C01** is in extended position for the waterline variant.

**C01**  
Assembe  
LAST

**C04**

**C04**

**A04**