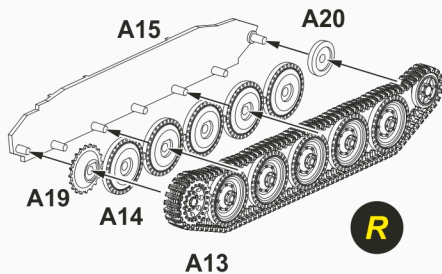
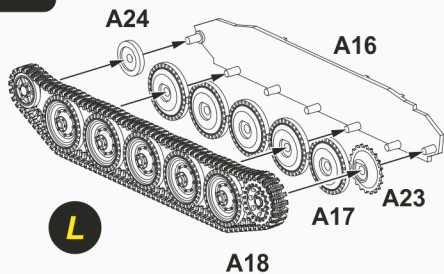
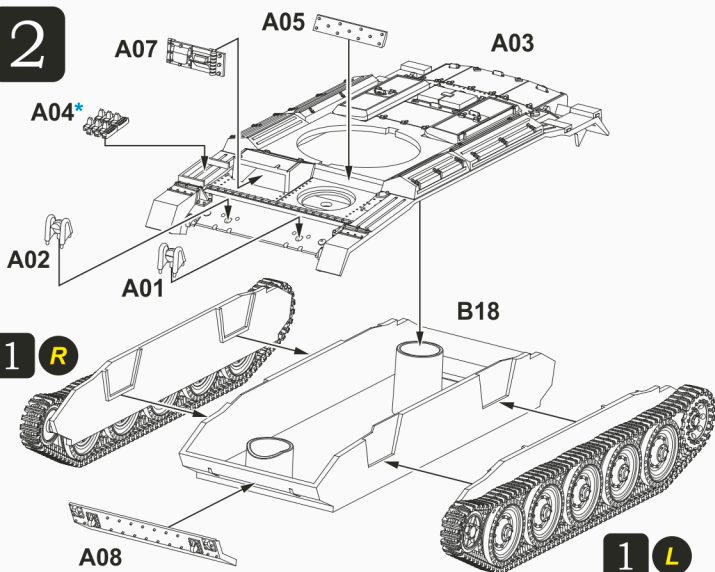
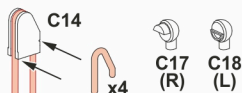
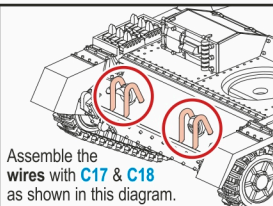


1**2****For Experienced Modellers**

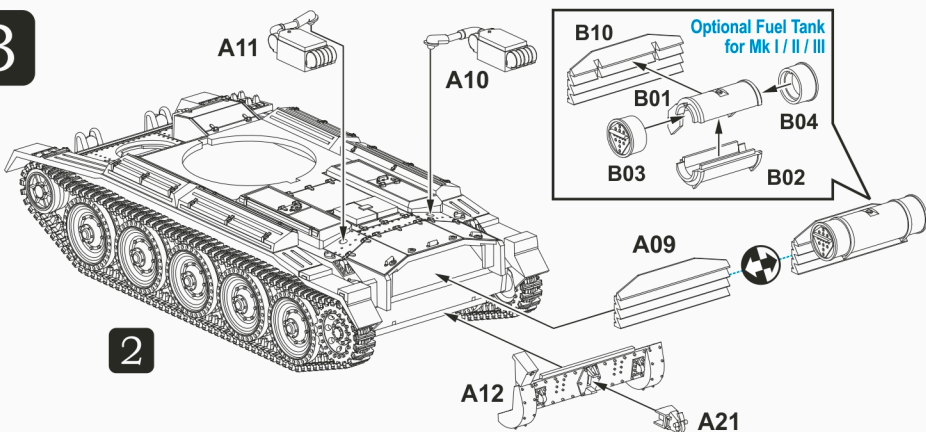
Use our Wire Bending Tool **C14** to make your own lamp guard instead of using lamp assembly **A01** & **A02**.



Use **0.5mm** copper wire and bend into shape using **C14**. Cut the bended wire as indicated by the arrows. Make a total of **4** pieces.

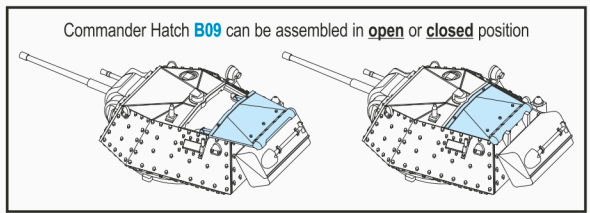
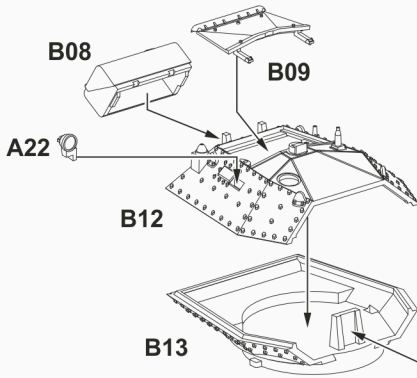


* Optional

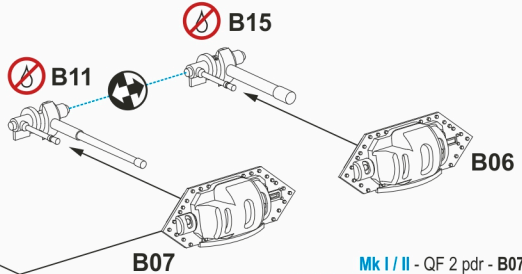
3

4a

Mk I / II Mk ICS / IICS



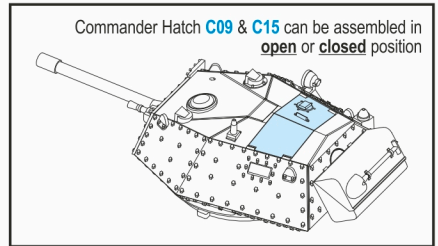
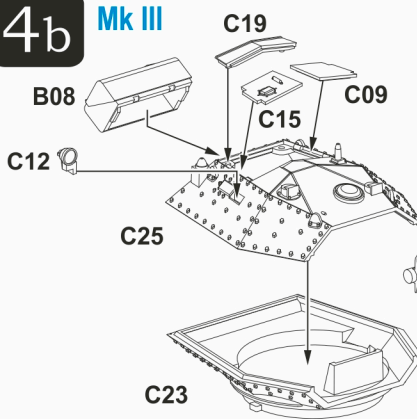
Commander Hatch **B09** can be assembled in **open** or **closed** position



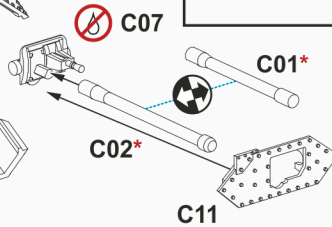
Mk I / II - QF 2 pdr - B07 + B11
Mk ICS / IICS - 3 in Howitzer - B06 + B15

4b

Mk III



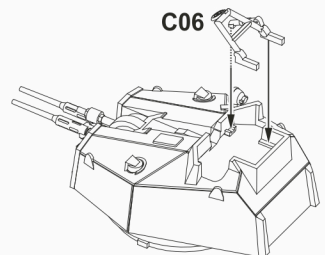
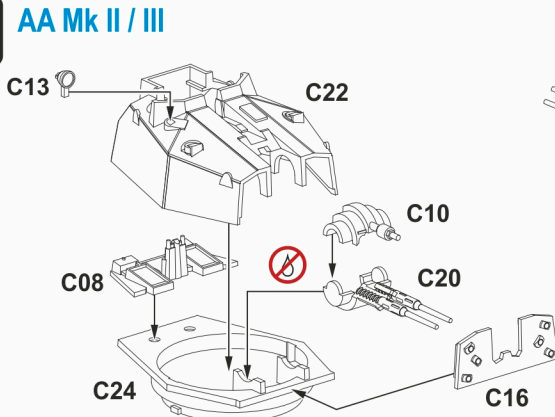
Commander Hatch **C09** & **C15** can be assembled in **open** or **closed** position



* QF 6pdr Mk 3 L/43 - C01
QF 6pdr Mk 5 L/50 - C02

4c

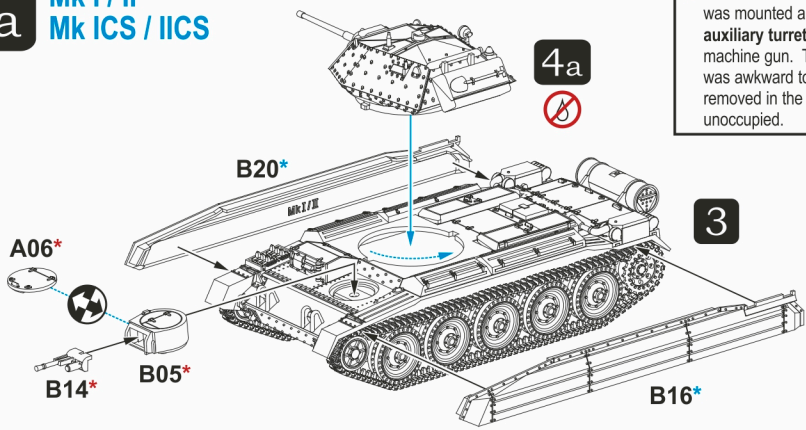
AA Mk II / III



The AA armed with twin Oerlikon 20mm guns for anti-aircraft use and a single 0.303 Vickers GO. Mk III only differed from the Mk II by the position of the radio, which was moved to the hull in order to free some space inside the turret.

5a

Mk I / II
Mk ICS / IICS

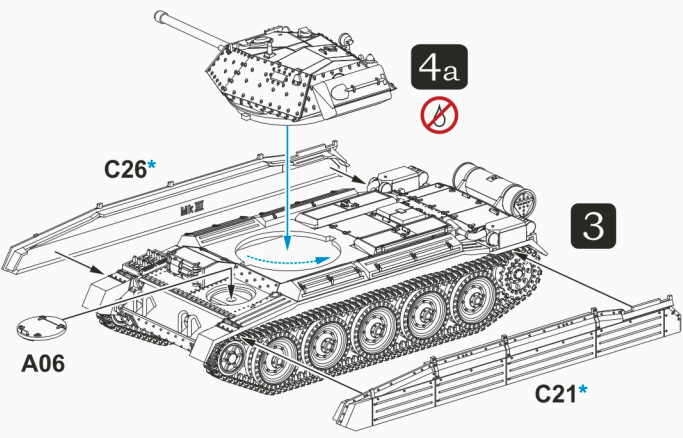


* At the left hand side of the front hull was mounted a small hand-traversed **auxiliary turret** armed with a **Besa** machine gun. The auxiliary turret was awkward to use and was often removed in the field or remained unoccupied.

* Optional

5b

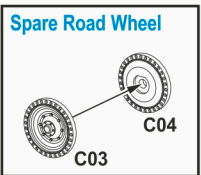
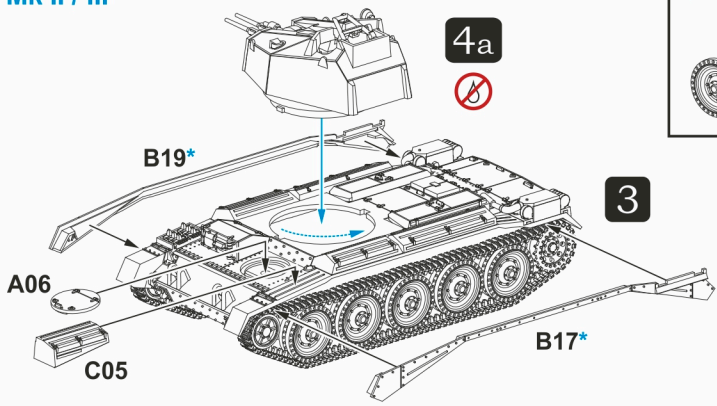
Mk III



* Optional

5c

AA Mk II / III



* Optional