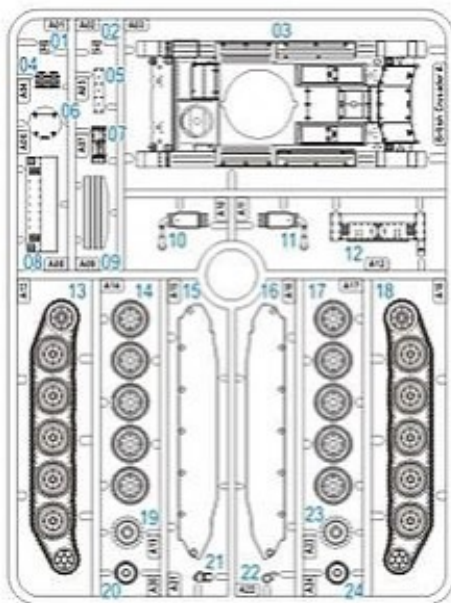
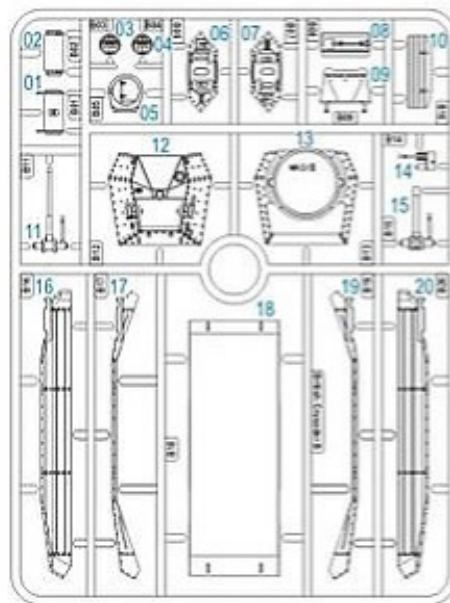


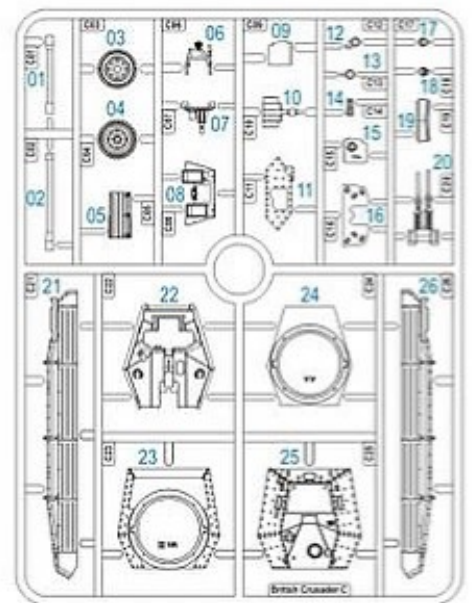
Product Code: 280025



**A**



**B**



**C**



- When you use glue or paint, do not use near a naked flame, and use in a well-ventilated area.
- When assembling this kit, tools including knives are used. Extra care should be taken to avoid personal injury.
- Keep out of reach of small children.

Read carefully and fully understand the instructions before commencing assembly. Model supplied unpainted. Bases, scenery, glue and paint not included. Meaning of symbols used:



Choices



Optional



No glue



Drill hole



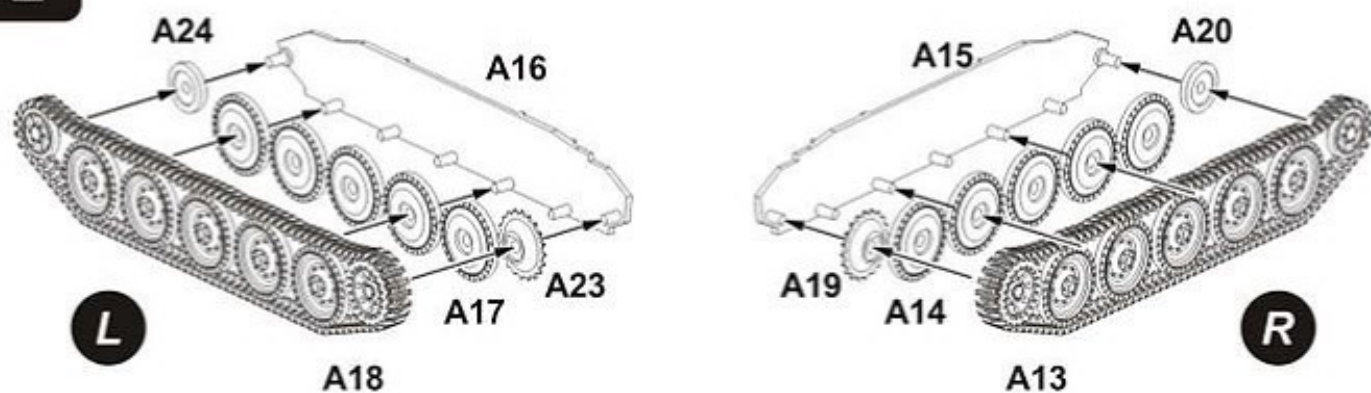
Bend

**WARNING:**

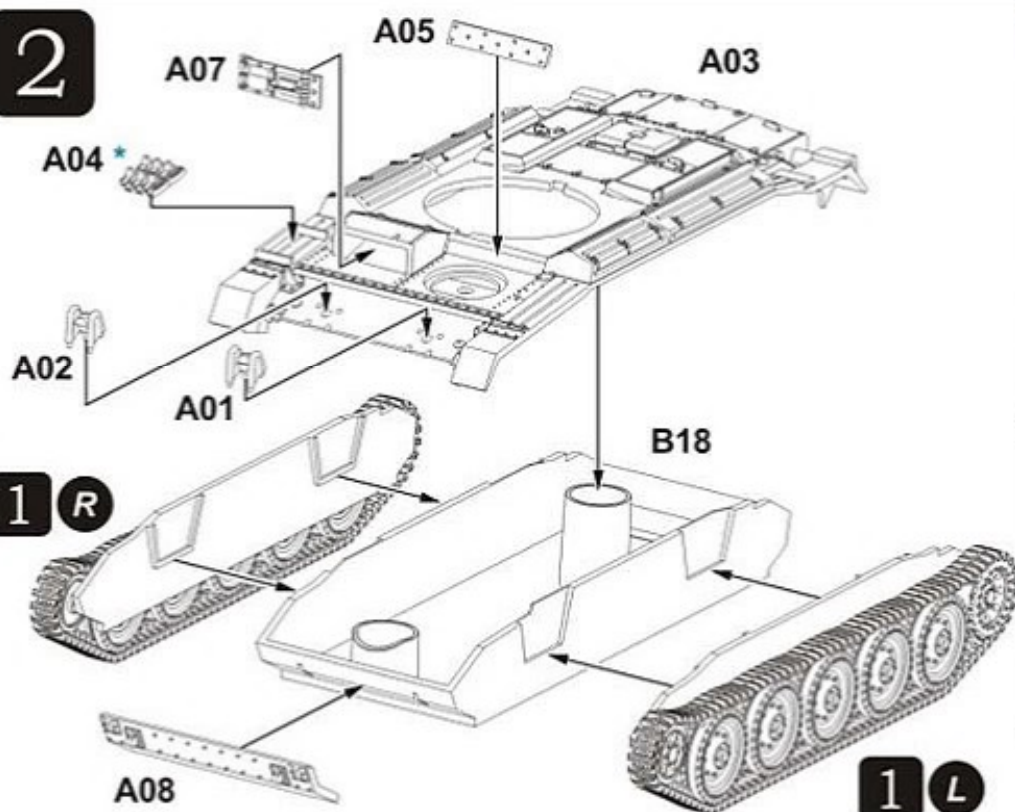
Contains small parts which may be hazardous to children under 14 years of age.



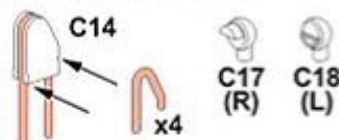
1



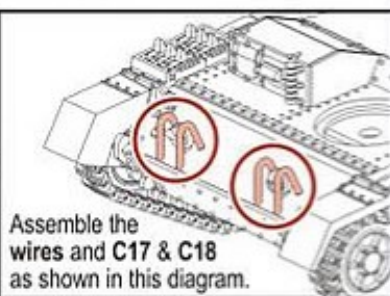
2

**For Experienced Modellers**

Use our Wire Bending Tool C14 to make your own lamp guard instead of using lamp assembly A01 & A02.



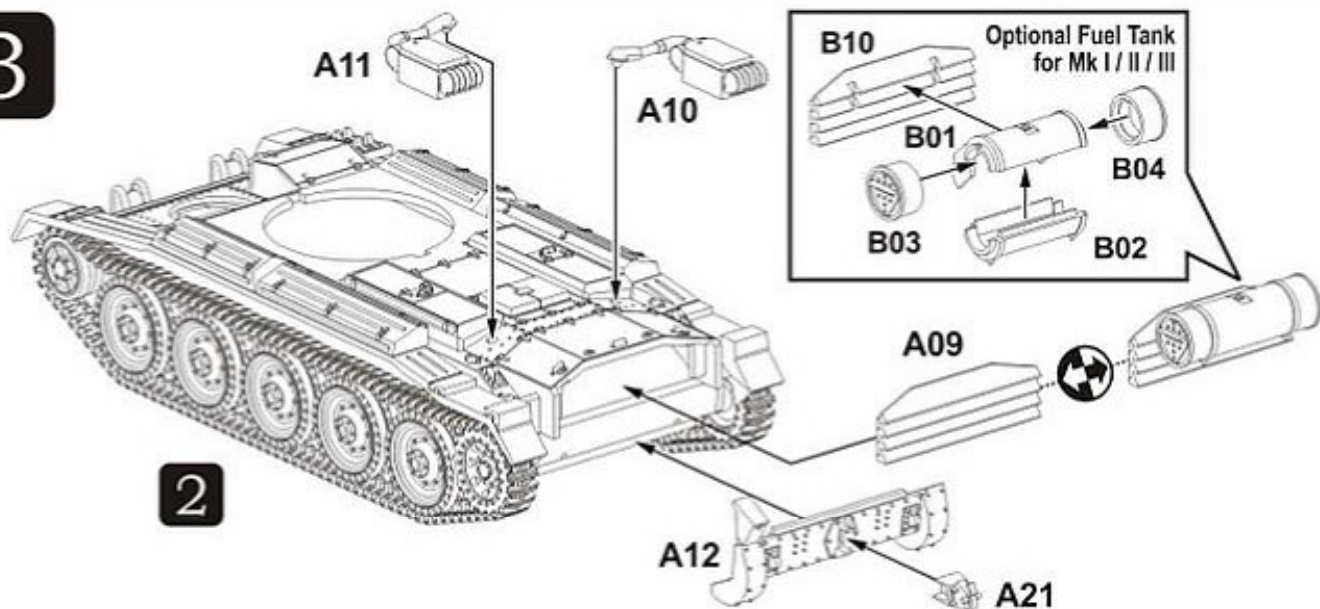
Use 0.5mm copper wire and bend into shape using C14. Cut the bended wire indicated by the arrows. Make a total of 4 pieces.

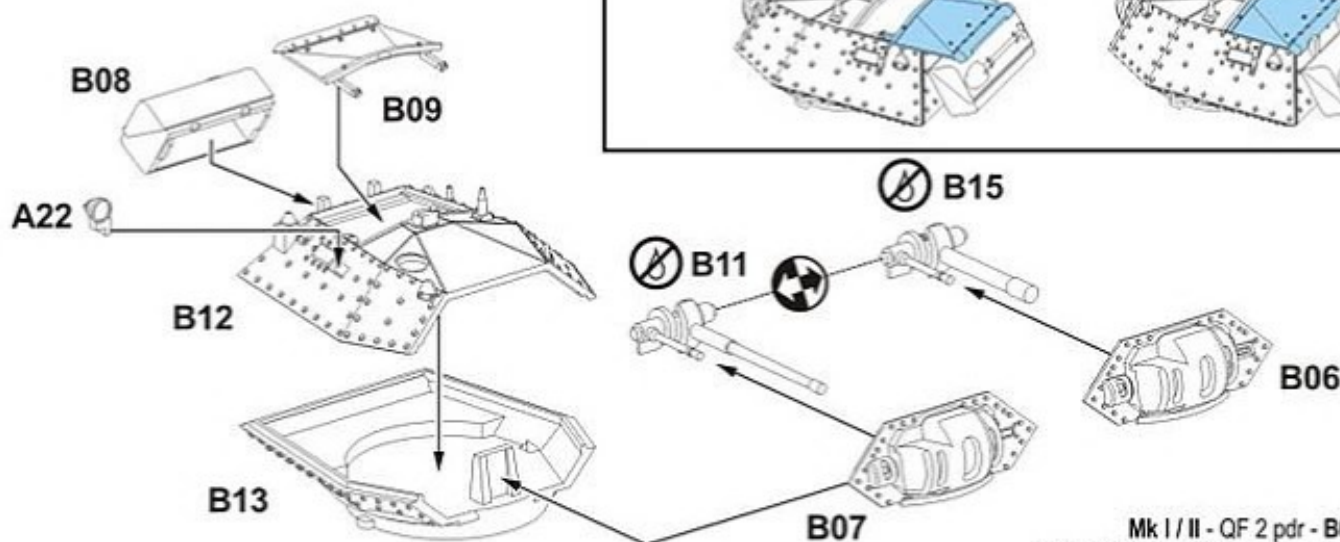
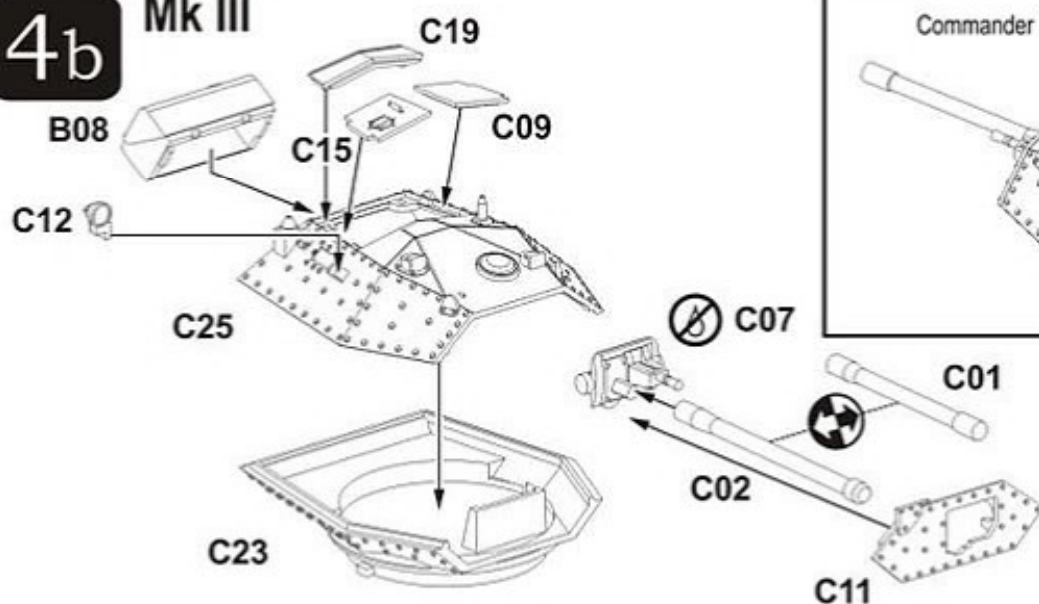
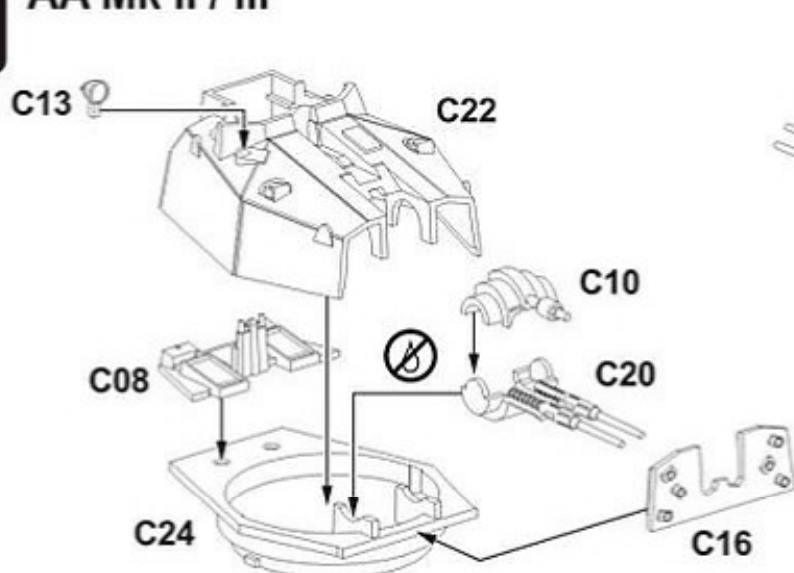


Assemble the wires and C17 & C18 as shown in this diagram.

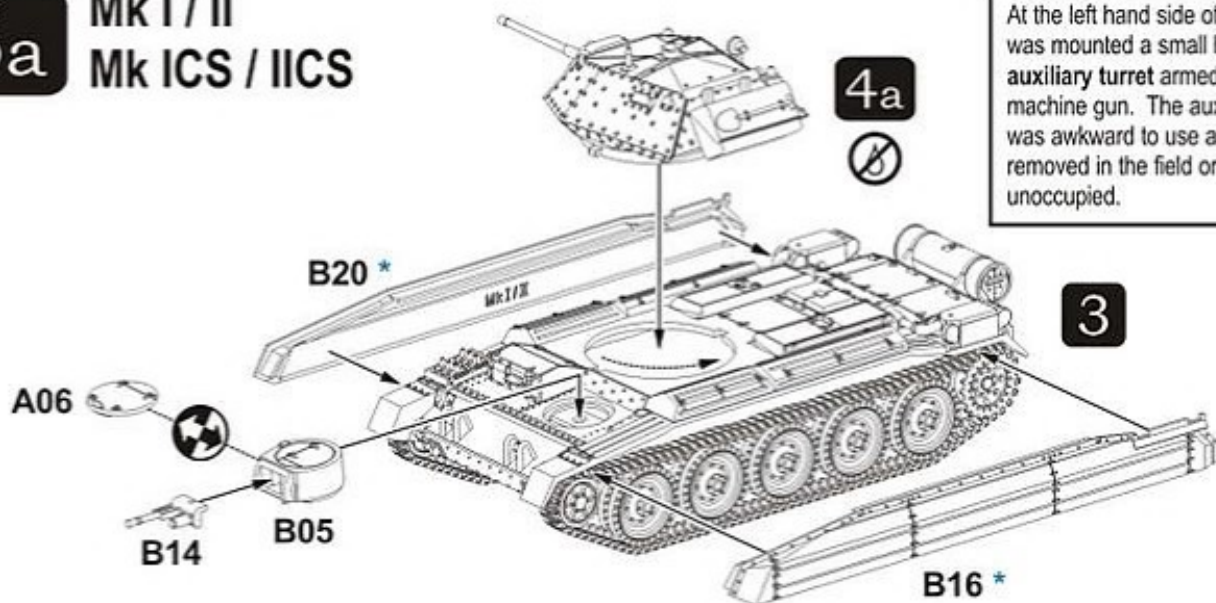
\* Optional

3



**4a****Mk I / II  
Mk ICS / IICS**Commander Hatch B09 can be assembled in open or closed positionMk I / II - QF 2 pdr - B07 + B11  
Mk ICS / IICS - 3 in Howitzer - B06 + B15**4b****Mk III**Commander Hatch C09 & C15 can be assembled in open or closed positionQF 6pdr Mk 3 L/43 - C01  
QF 6pdr Mk 5 L/50 - C02**4c****AA Mk II / III**

The AA armed with twin Oerlikon 20 mm guns for anti-aircraft use and a single .303 Vickers GO. Mk III only differed from the Mk II by the position of the radio, which was moved to the hull in order to free some space inside the turret.

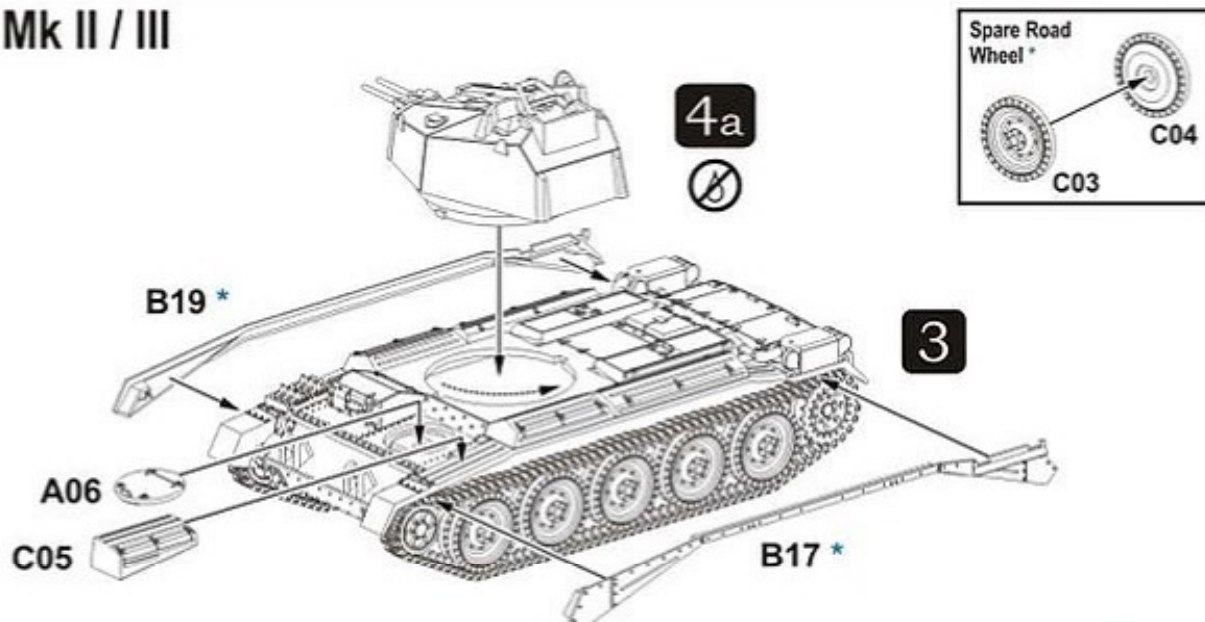
**5a****Mk I / II  
Mk ICS / IICS**

At the left hand side of the front hull was mounted a small hand-traversed auxiliary turret armed with a Besa machine gun. The auxiliary turret was awkward to use and was often removed in the field or remained unoccupied.

\* Optional

**5b****Mk III**

\* Optional

**5c****AA Mk II / III**

\* Optional