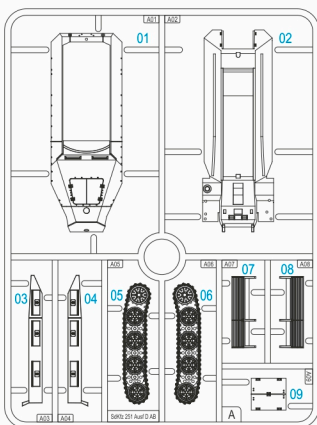


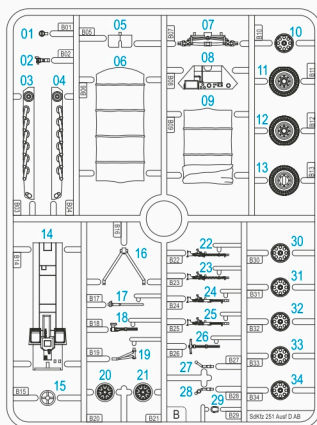


Product Code: 280019

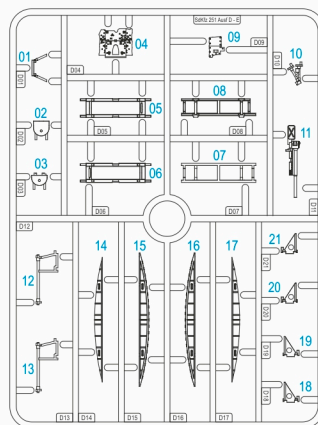
160325-1



**A**



**B**



**E**



- When you use glue or paint, do not use near a naked flame, and use in a well-ventilated area.
- When assembling this kit, tools including knives are used. Extra care should be taken to avoid personal injury.
- Keep out of reach of small children.

Read carefully and fully understand the instructions before commencing assembly. Model supplied unpainted. Bases, scenery, glue and paint not included. Meaning of symbols used:



Choices



Optional



No glue



Drill hole



Bend

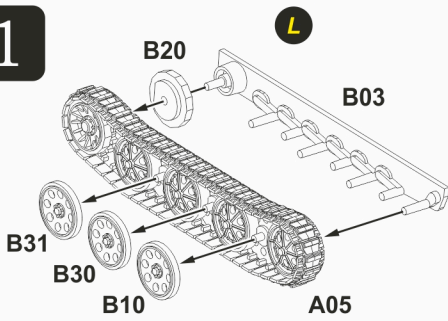
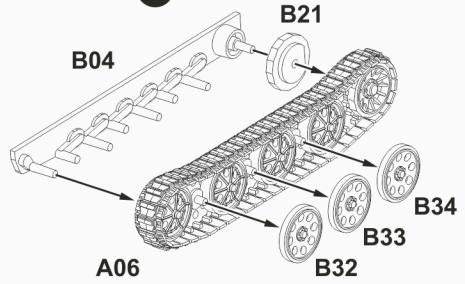
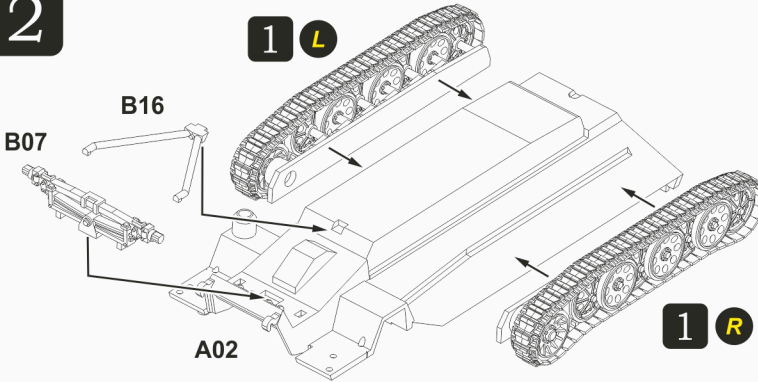


Cut or trim with care

 Please use **ABS Plastic Cement** for assembly.

### WARNING

- THIS IS NOT A TOY
- INTENDED FOR COLLECTORS OF AGE 14 AND ABOVE
- CONTAINS SMALL PARTS AND POINTED COMPONENTS
- NOT SUITABLE FOR CHILDREN UNDER 6 YEARS OLD
- MODEL MAY VARY FROM IMAGE ON BOX
- READY TO ASSEMBLE PRECISION MODEL KIT

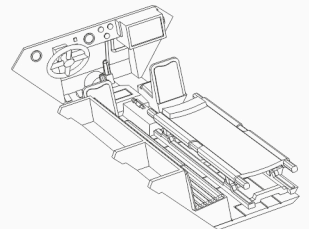
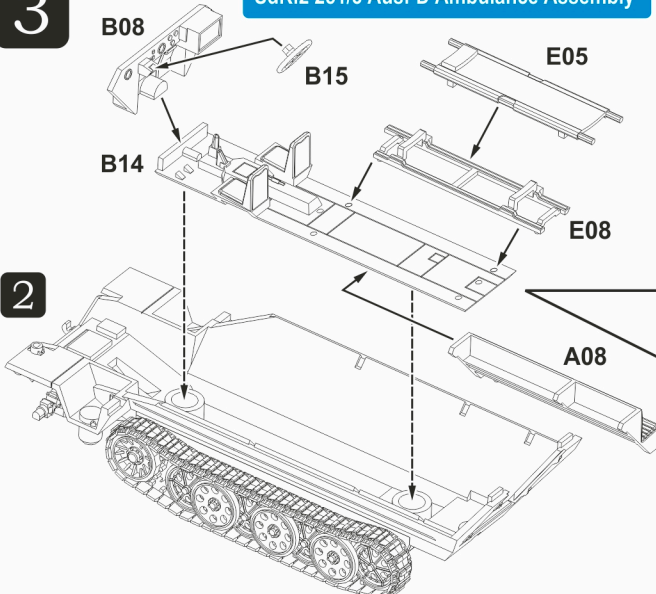
**1****R****2****READ THIS BEFORE FURTHER ASSEMBLY**

**1 & 2** Basic lower hull assembly for all variants.

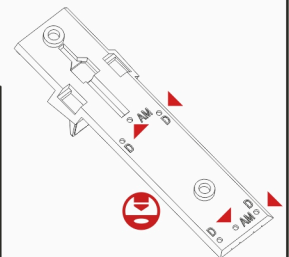
**3 ~ 6** SdKfz 251/8 Ambulance assembly **only**.

For basic vehicle assembly of the SdKfz 251/5 & 251/10 please follow the instructions from the **original** 251/1D Instruction Sheet.

Then proceed to **Page 4** of this instruction sheet to complete the assembly!

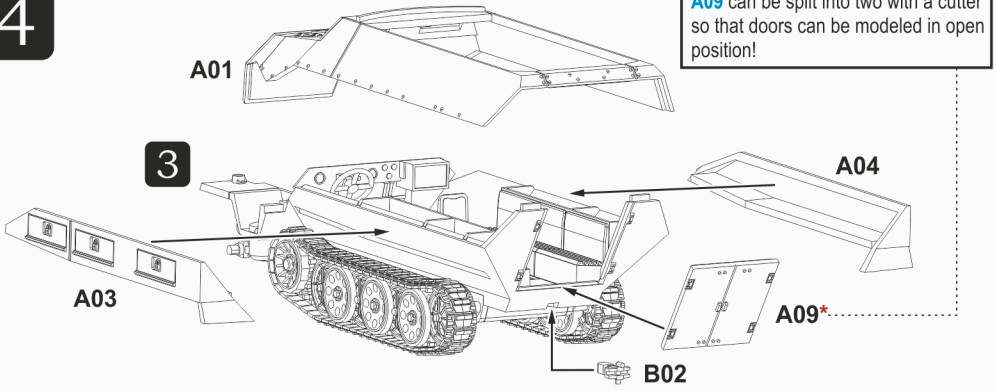
**3****SdKfz 251/8 Ausf D Ambulance Assembly**

Assembled View of the Ambulance interior

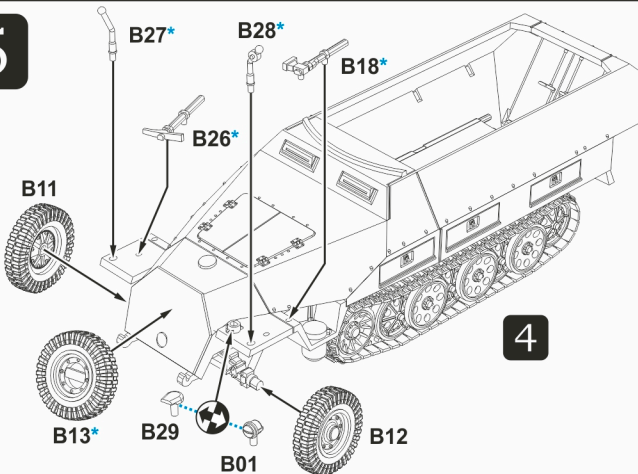


Punch 4 holes marked "AM" at back of B14 as indicated

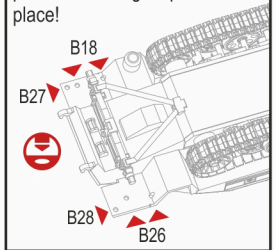
4



5



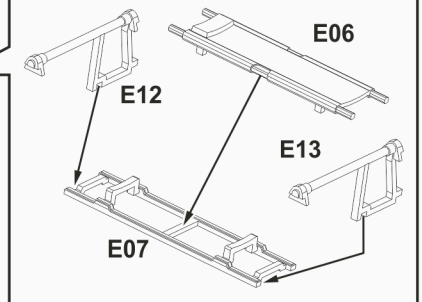
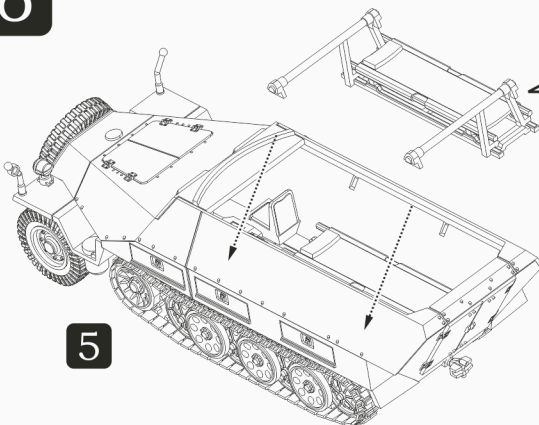
Optional items can be omitted for gaming use; otherwise can punch holes to glue parts in place!



\* Optional

6

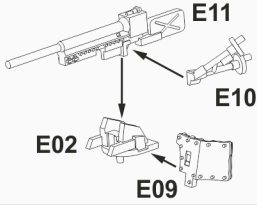
### Upper Deck Stretcher Assembly



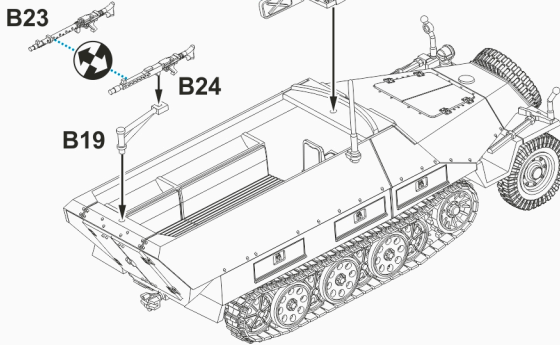
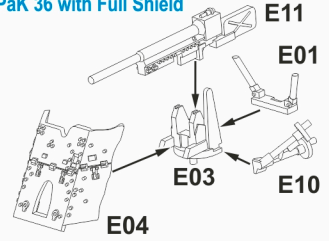
SdKfz 251/8 Ausf. D Ambulance  
assembly completed

**SdKfz 251/10 Ausf D with 3.7cm PaK 36**

**PaK 36 with Half Shield**



**PaK 36 with Full Shield**

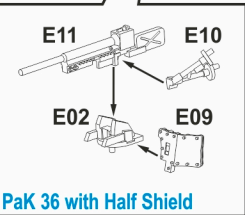
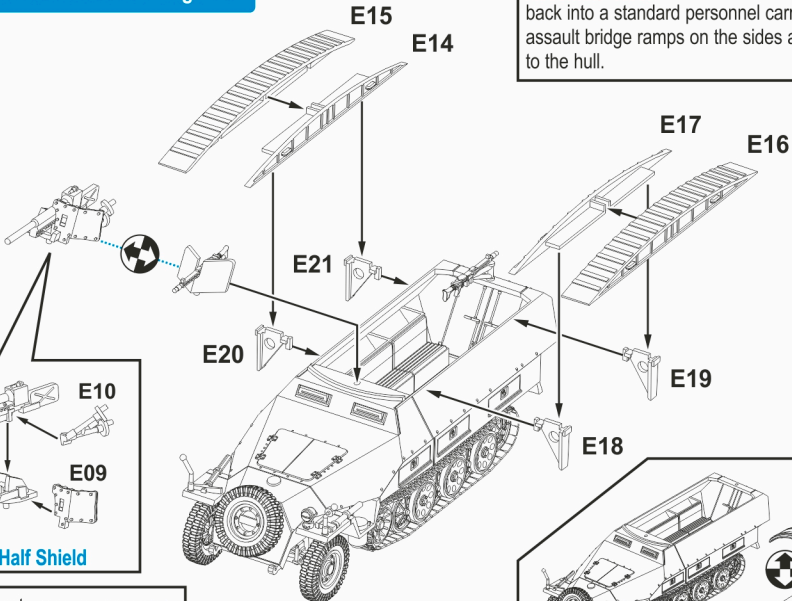


**Machine Gun Choice:**

- B22/B23 MG34 Machine Gun
- B24/B25 MG42 Machine Gun

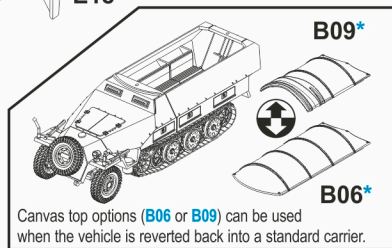
**SdKfz 251/7 Ausf D Assault Engineer**

**Assembly Tips:** The vehicle can be reverted back into a standard personnel carrier if the assault bridge ramps on the sides are not glued to the hull.



**PaK 36 with Half Shield**

Even though not very common, some early command vehicles for Pioneer platoons (Pionierzug) were equipped with a 3.7cm PaK 36 anti-tank gun.



Canvas top options (B06\* or B09\*) can be used when the vehicle is reverted back into a standard carrier.