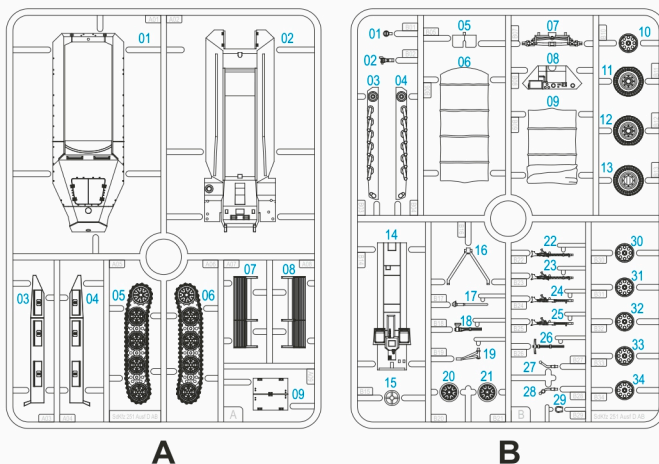




Product Code: 280018
180507-1



- When you use glue or paint, do not use near a naked flame, and use in a well-ventilated area.
- When assembling this kit, tools including knives are used. Extra care should be taken to avoid personal injury.
- Keep out of reach of small children.

Read carefully and fully understand the instructions before commencing assembly. Model supplied unpainted. Bases, scenery, glue and paint not included. Meaning of symbols used:



Choices



Optional



No glue



Drill hole



Bend

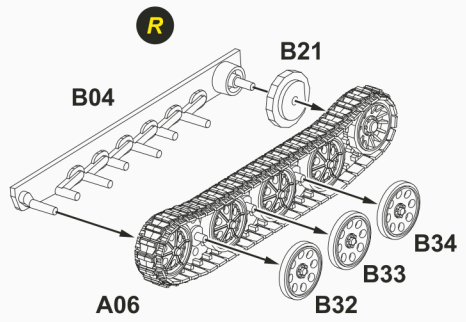
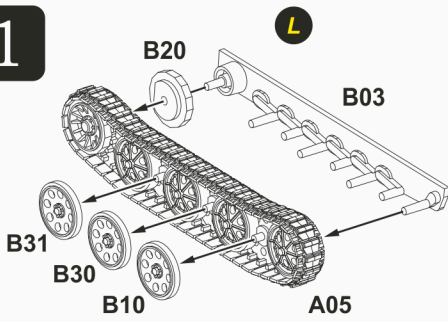
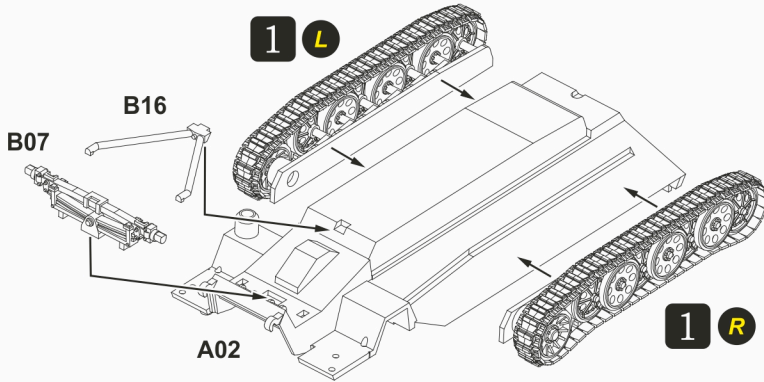
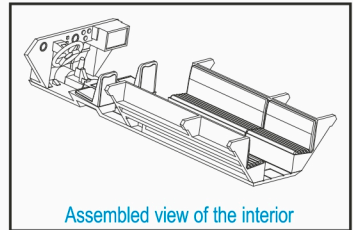
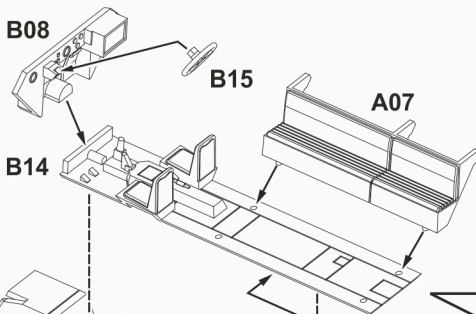
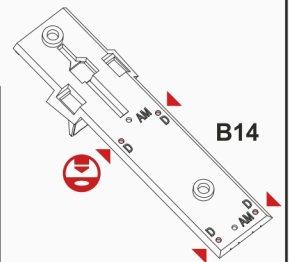
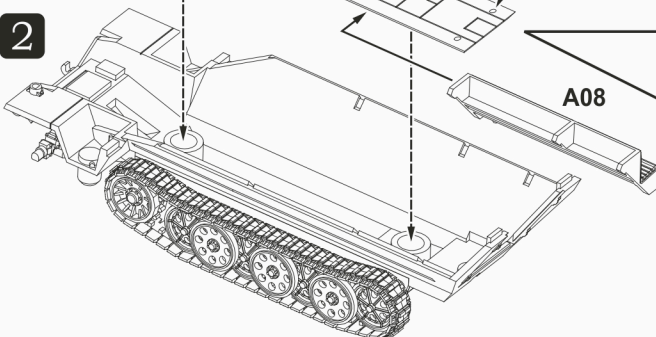


Cut or trim with care

 Please use **ABS Plastic Cement** for assembly.

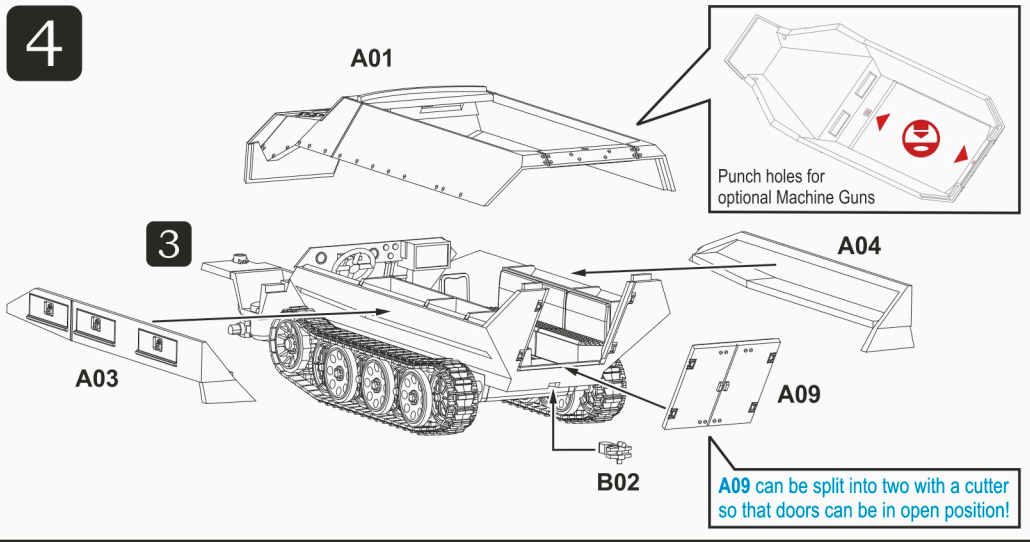
WARNING

- THIS IS NOT A TOY
- INTENDED FOR COLLECTORS OF AGE 14 AND ABOVE
- CONTAINS SMALL PARTS AND POINTED COMPONENTS
- NOT SUITABLE FOR CHILDREN UNDER 6 YEARS OLD
- MODEL MAY VARY FROM IMAGE ON BOX
- READY TO ASSEMBLE PRECISION MODEL KIT

1**2****3****2**

Punch 4 holes at back of **B14** as indicated

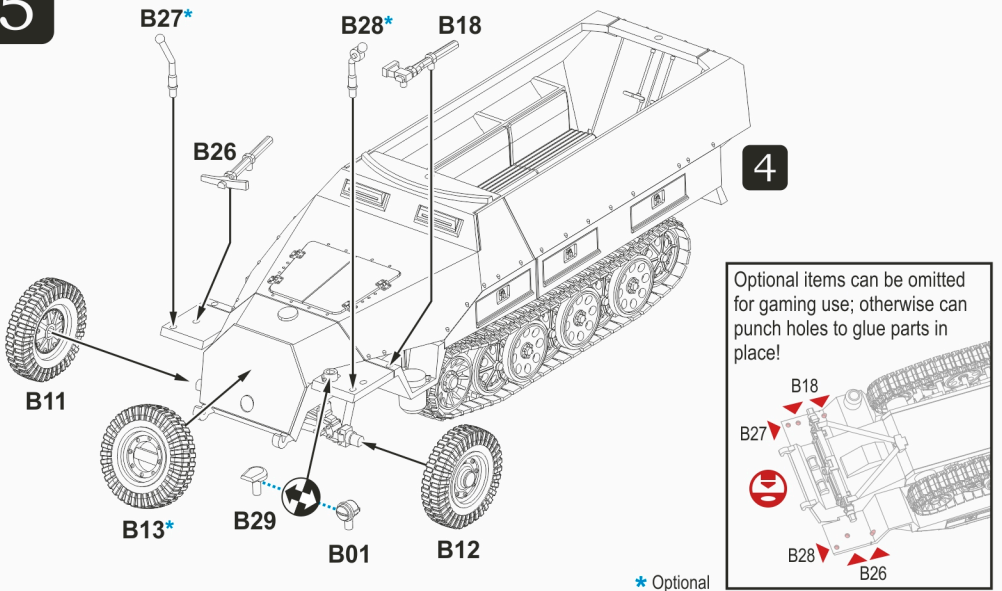
4



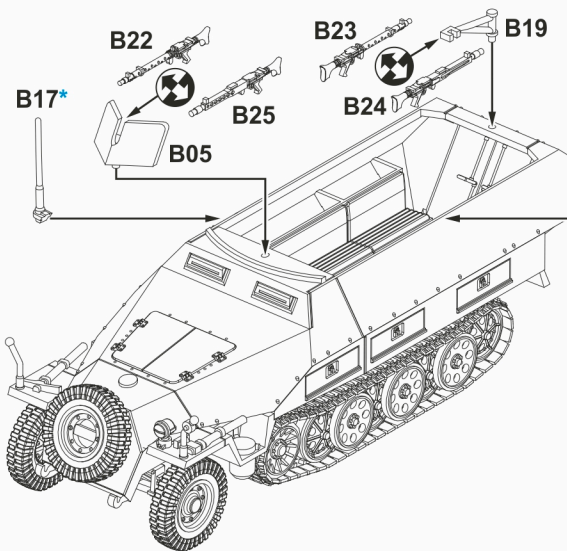
HISTORICAL FACTS: The SdKfz 251 (Sonderkraftfahrzeug 251) half-track was an armored fighting vehicle designed and first built by the Hanomag Company during World War II. Used by the Wehrmacht, the SdKfz 251 was designed to transport the panzergrenadiers of the German mechanized infantry corps into battle. SdKfz 251s were the most widely produced German half-tracks of the war, with at least **15,252** vehicles and variants produced by various manufacturers, and were commonly referred to simply as "**Hanomags**" by both German and Allied soldiers. There were four main model modifications (Ausführung A through D), which formed the basis for at least 22 variants. The initial idea was for a vehicle that could be used to transport a single squad of panzergrenadiers to the battlefield protected from enemy small arms fire, and with some protection from artillery fire. In addition, the standard mounting of at least one **MG34** or **MG42** machine gun allowed the vehicle to provide support by fire for the infantry squad once they had disembarked in battle. Variants were produced for specialized purposes, including with anti-aircraft guns, light howitzers, anti-tank guns and mortars or even large unguided artillery rockets.

From early 1943, the **D** model was developed with the purpose of halving the number of angled body plates, simplifying the design and thus speeding up the production. D models can be easily recognized by their single piece sloping rear (with flat doors).

5

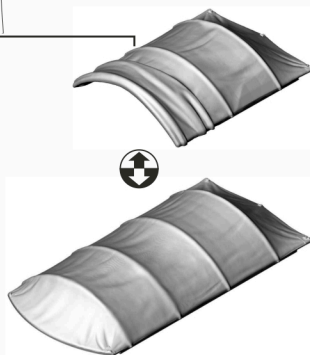


6

**Machine Gun Choice:**

B22/B23 MG34 Machine Gun

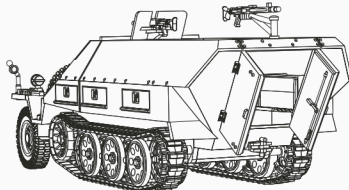
B24/B25 MG42 Machine Gun



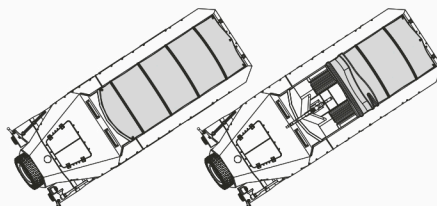
* Optional

5

Assembly Tips: Open Rear Doors - Part A09 can be split into half with a cutter and glued with doors open!



Assembly Tips: Canvas Tops - Part B06/B09 are excellent options to give the 251 variants on the battlefield!



Rubicon Models is offering a full range of **SdKfz 250/251** Half Track Armoured Fighting Vehicles, which includes the following Base Kits:

280031 SdKfz 251/1 Ausf C

280032 SdKfz 250/1 Alte

280018 SdKfz 251/1 Ausf D

280038 SdKfz 250/1 Neu

We are also offering the following **Expansion Sets** so that you can build variants of your choices:

280039 SdKfz 250/3 & 251/3 - Command & Communication

280043 SdKfz 250/7 & 251/2 - 8.1cm GrW34 Mortar Carrier

280044 SdKfz 250/8 & 251/9 - "Stummel" 7.5cm KwK 37 L/24 Gun

280048 SdKfz 250/9 & 251/23 - 2cm KwK 38 Autocannon

280045 SdKfz 250/11 & 251/7 - 2.8cm sPzB 41 Heavy AT Rifle

280040 SdKfz 251/16 Ausf C & D - Flammpanzerwagen

280041 SdKfz 251/22 Ausf D - "PaKwagen" 7.5cm PaK 40 L/46 AT Gun

280020 SdKfz 251/1 Ausf D "Stuka zu Fuss" **

280019 SdKfz 251 "3-in-1" Set - Assault Engineer / Ambulance / 3.7cm PaK 36 AT Gun **

** SdKfz 251/1 Ausf D Base Kit included



For more information about our various expansion sets, please visit our website at www.rubiconmodels.com.


www.facebook.com/rubiconmodels

www.facebook.com/groups/rubiconmodelscommunity