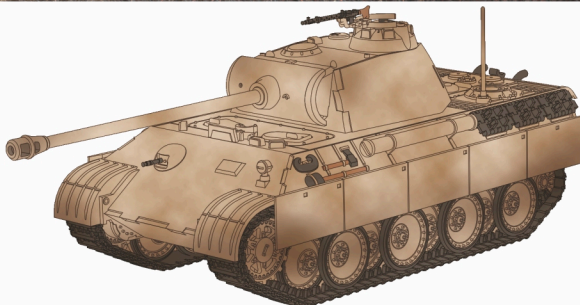




Product Code: 280014
210915-1



READ THIS FIRST BEFORE ASSEMBLY STARTS...

Please study the instruction thoroughly **before** actual assembly. This kit enables you to build a **Panther Ausf D/A** medium tank. It is good practice to **test fit** all parts and study all build options **before** gluing them together. This will save you time and frustrations!

A sprue layout guide is located at the back of this instruction. Some (optional) part(s) might require drilling hole(s) on location that are being marked. To ensure best fitting, please use drill bit of 1.2mm (0.05") in diameter.



- When you use glue or paint, do not use near a naked flame, and use in a well-ventilated area.
- When assembling this kit, tools including knives are used. Extra care should be taken to avoid personal injury.
- Keep out of reach of small children.

Read carefully and fully understand the instructions before commencing assembly. Model supplied unpainted. Bases, scenery, glue and paint not included. Legend used:



Choices



Optional



No glue



Drill hole



Bend

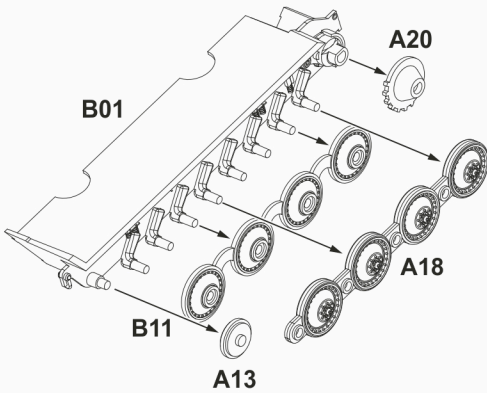
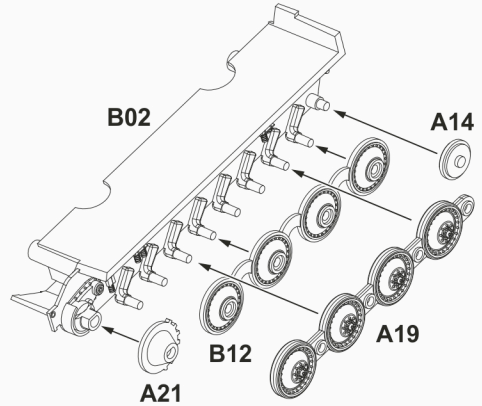


Cut or trim
with care

NOTE: Please use **ABS Plastic Cement** for our products.

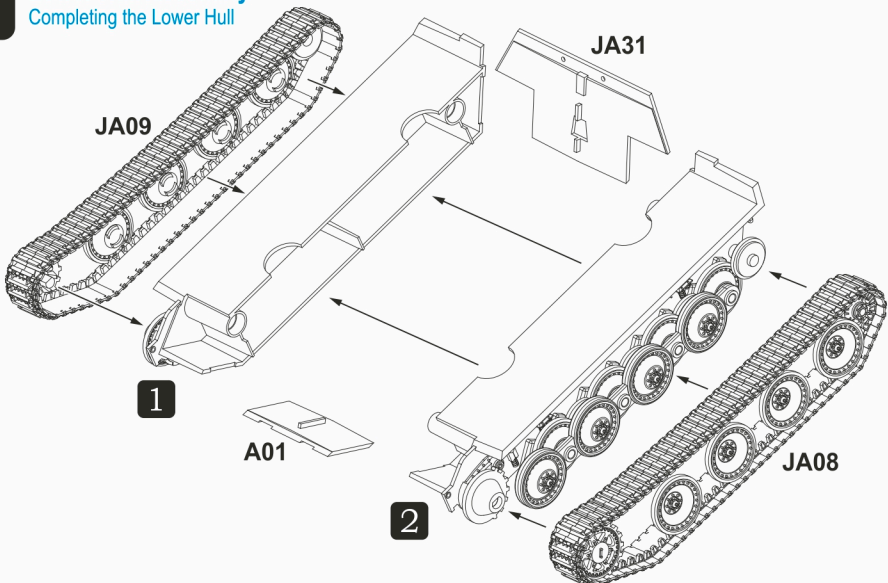
WARNING

- THIS IS NOT A TOY
- INTENDED FOR COLLECTORS OF AGE 14 AND ABOVE
- CONTAINS SMALL PARTS AND POINTED COMPONENTS
- NOT SUITABLE FOR CHILDREN UNDER 6 YEARS OLD
- MODEL MAY VARY FROM IMAGE ON BOX
- READY TO ASSEMBLE PRECISION MODEL KIT

1**Lower Hull Assembly**
Right Side**2****Lower Hull Assembly**
Left Side

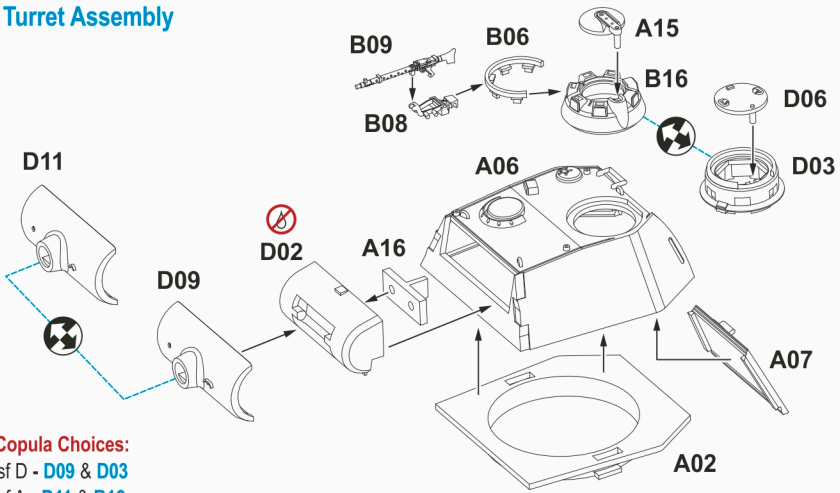
HISTORICAL FACTS: Panther (designated as SdKfz 171) is the common name of a medium tank deployed by Nazi Germany in World War II from mid-1943 to the end of the European war in 1945. It was intended as a counter to the Soviet T-34, and as a replacement for the Panzer III and Panzer IV. While never replacing the latter, it served alongside it and the heavier Tiger tanks until the end of the war. The Panther's excellent combination of firepower, mobility, and protection served as a benchmark for other nations' late war and post-war tank designs, and it is regarded as one of the best tanks of World War II.

The Panther tank was a compromise of various requirements. While having essentially the same engine as the Tiger I tank, it had better frontal armor (including the benefit of a sloped armor, increasing effective armor depth), better gun penetration, was lighter and thus faster, and could traverse rough terrain better than the Tigers. The tradeoff was weaker side armor. The Panther proved to be deadly in open country and long range engagements, but vulnerable in close-quarters combat. Over **6,000** Panther tanks were produced between January 1943 and April 1945.

3**Lower Hull Assembly**
Completing the Lower Hull

4

Turret Assembly



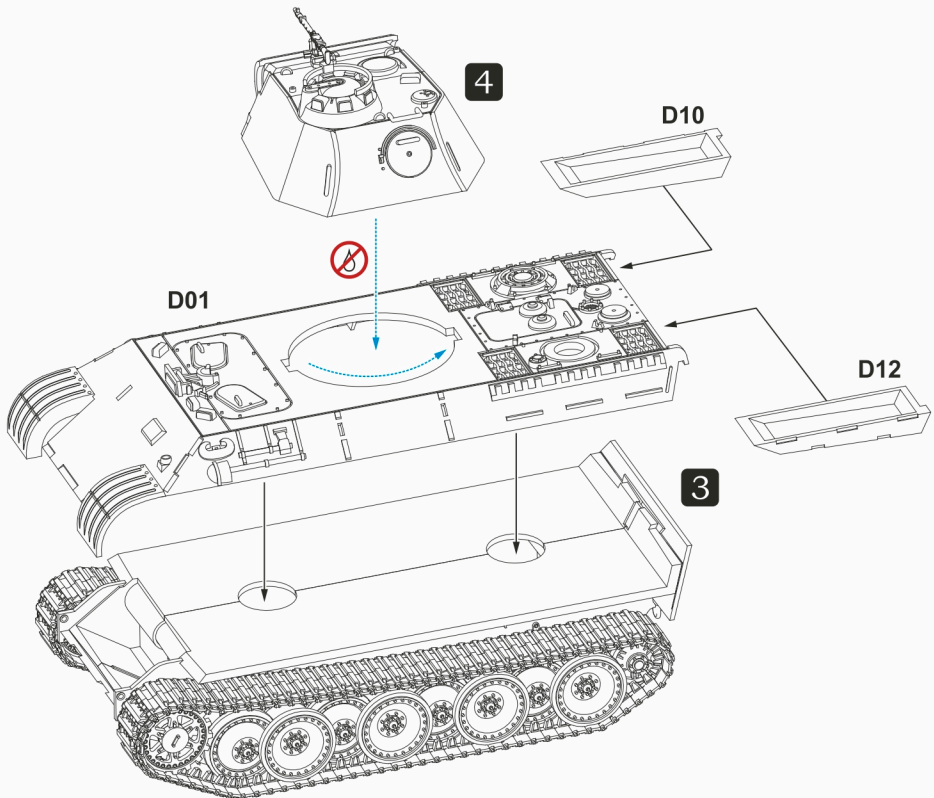
Mantlet & Copula Choices:

Panther Ausf D - **D09** & **D03**

Panther Ausf A - **D11** & **B16**

5

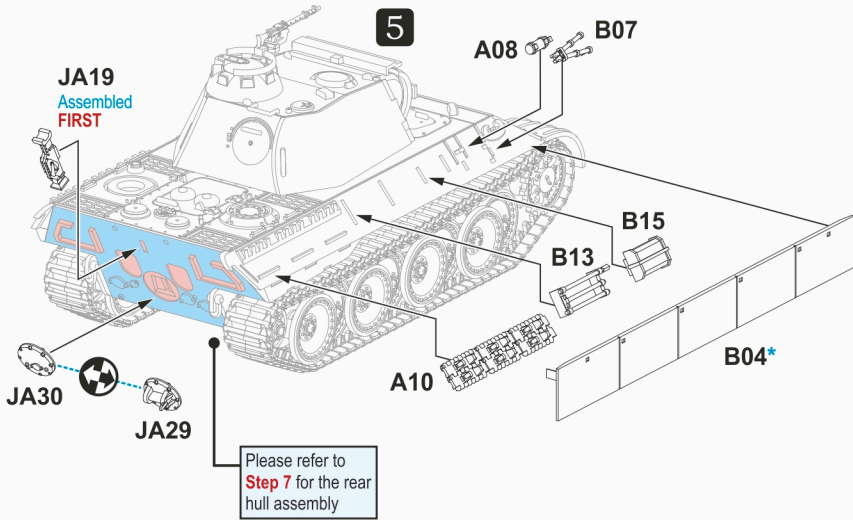
Basic Chassis Assembly



6

Chassis Assembly

Right Side

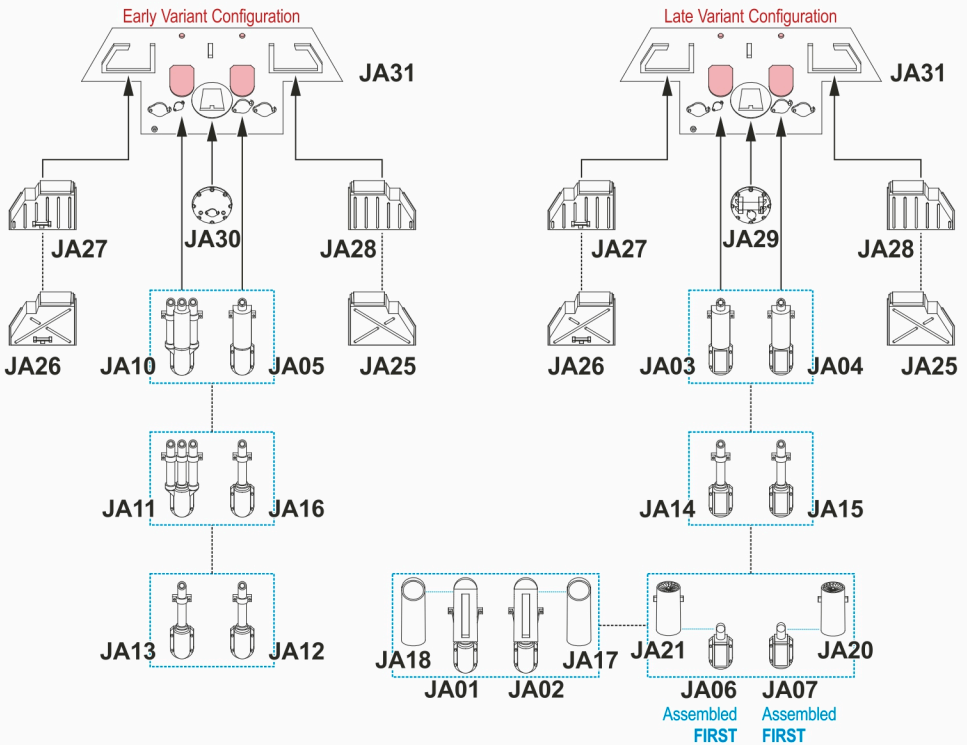


* Optional

7

Rear Hull Assembly

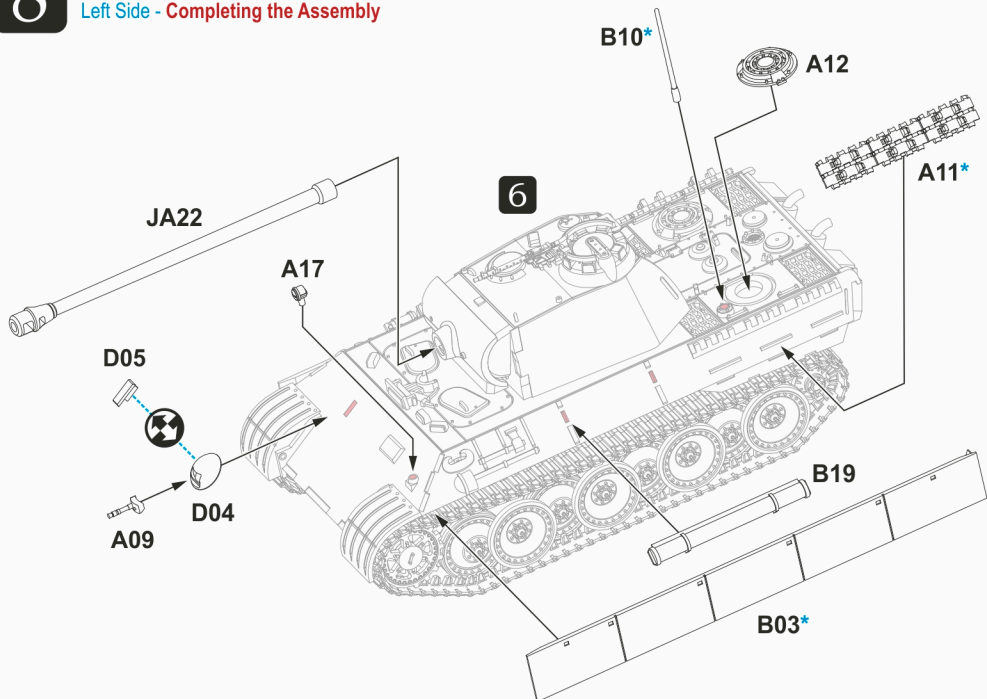
Stowage Box & Exhaust



8

Chassis Assembly

Left Side - Completing the Assembly



* Optional

Miniature Figures Blister Packs



284041 **German Panzer Crew**
contains 4 multi-pose plastic figures



284012 **General Erwin Rommel**
with Radio Operator (plastic figures)

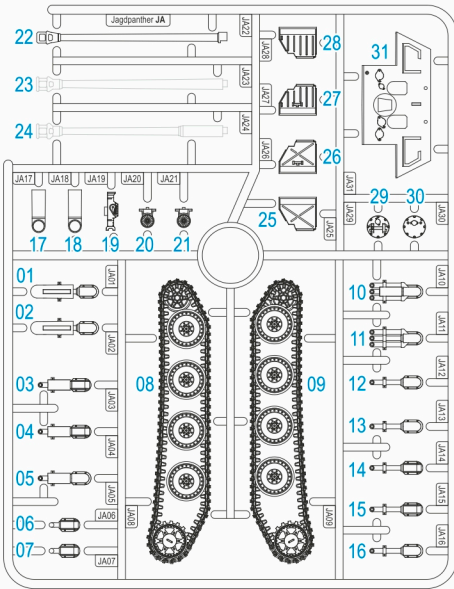
284040 **German Heavy Machine Gun Team**
with Lafette 34 or Lafette 42 (plastic figures)



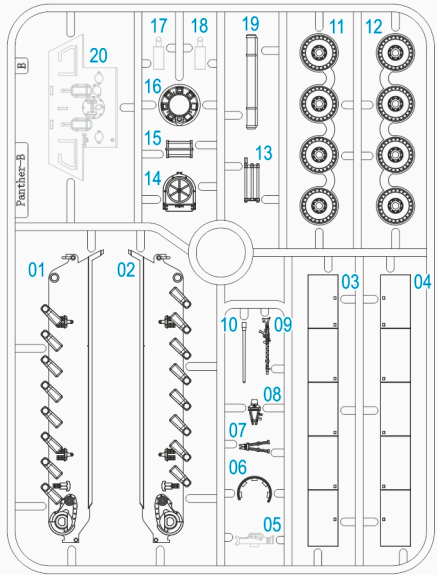
284071 **15cm Nebelwerfer 41 (15cm NbW 41)**
contains 4 pewter figures & 15cm NbW 41



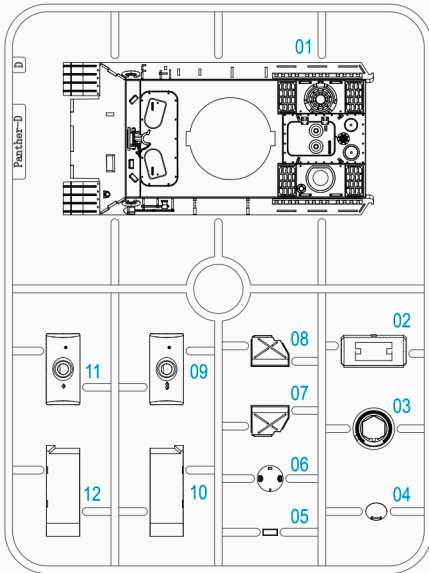
284069 **Michael Wittmann & Balthasar "Bobby" Woll**
contains 4 plastic figures (2 full figures & 2 two-third torso)



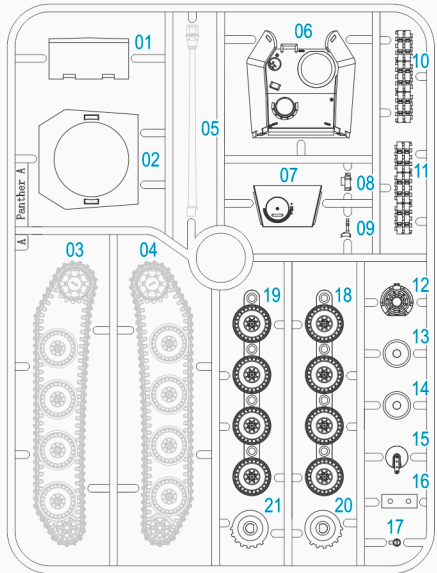
JA



B



D



A

If you like this Panther Ausf G, you might also want to take a look at our other plastic German tanks and vehicle offerings. For more info, please visit our website at www.rubiconmodels.com.



Please visit our Facebook page at <https://www.facebook.com/rubiconmodels>

and like our FB page to show your support!