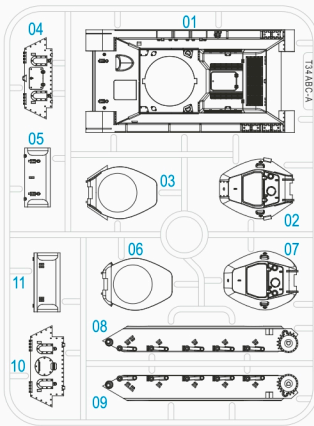
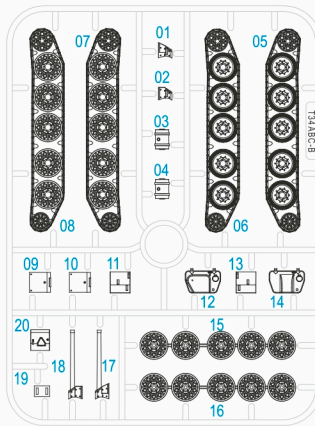




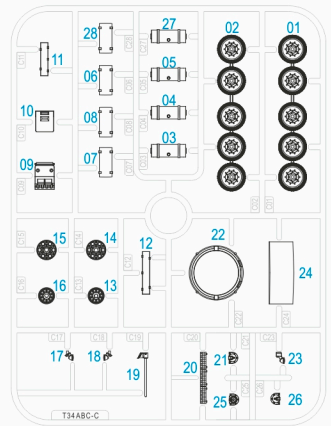
Product Code: 280013  
230206-1



A



B



C



- When you use glue or paint, do not use near a naked flame, and use in a well-ventilated area.
- When assembling this kit, tools including knives are used. Extra care should be taken to avoid personal injury.
- Keep out of reach of small children.

Read carefully and fully understand the instructions before commencing assembly. Model supplied unpainted. Bases, scenery, glue and paint not included. Meaning of symbols used:



Choices



Optional



No glue



Drill hole



Bend



Cut or trim with care

 Please use **ABS Plastic Cement** for assembly.

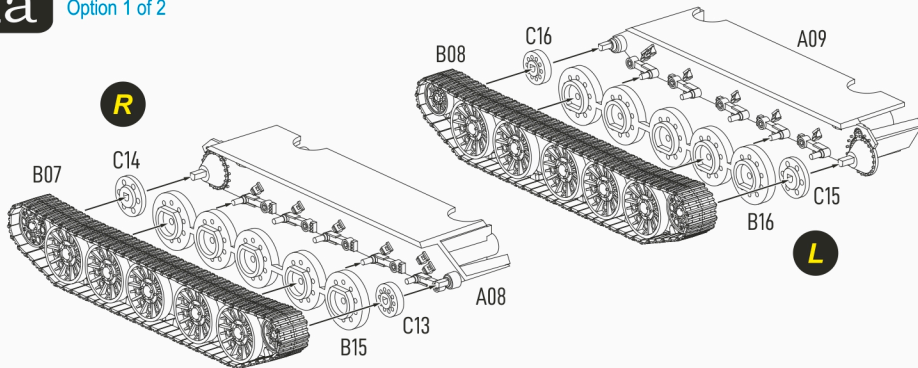
### WARNING

- THIS IS NOT A TOY
- INTENDED FOR COLLECTORS OF AGE 14 AND ABOVE
- CONTAINS SMALL PARTS AND POINTED COMPONENTS
- NOT SUITABLE FOR CHILDREN UNDER 6 YEARS OLD
- MODEL MAY VARY FROM IMAGE ON BOX
- READY TO ASSEMBLE PRECISION MODEL KIT

# 1a

## Steel Road Wheels

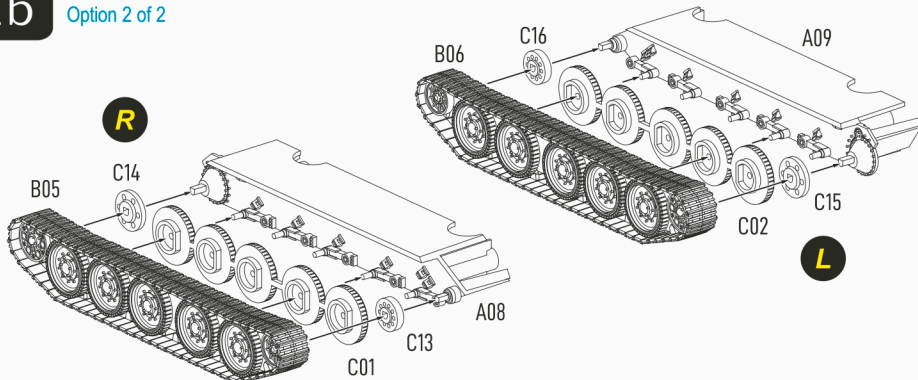
Option 1 of 2



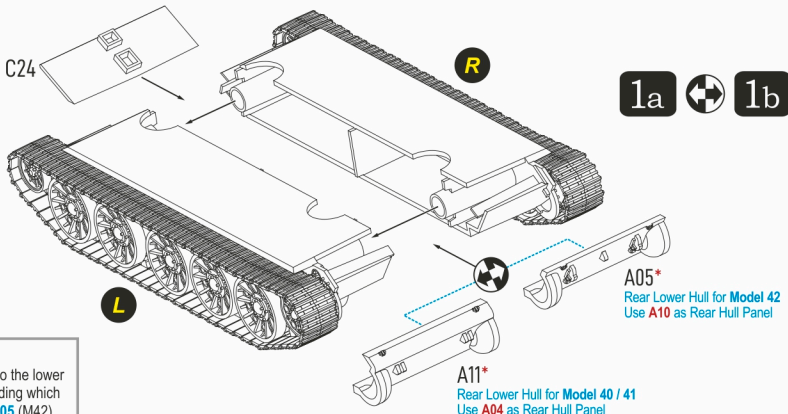
# 1b

## Rubber Road Wheels

Option 2 of 2



# 2

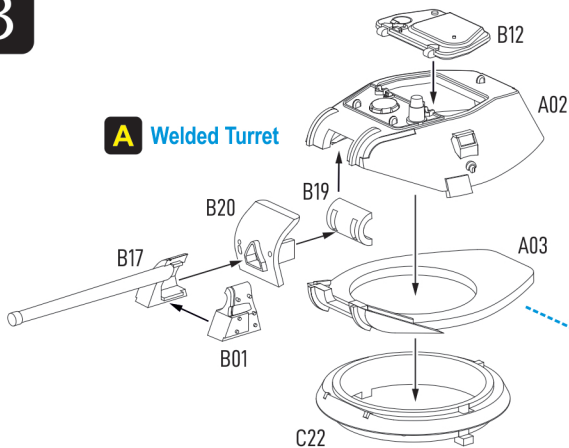


### IMPORTANT:

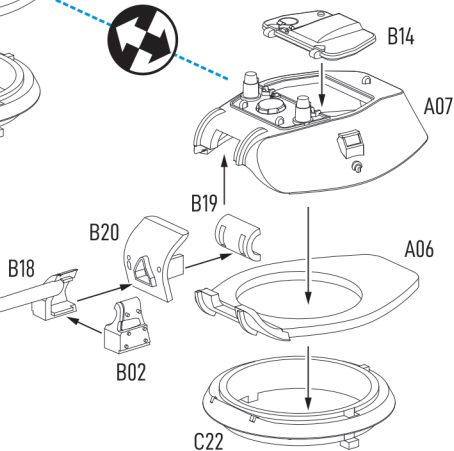
Before assembling **A05** or **A11** to the lower hull, please study **STEP 6** regarding which rear hull panel to use, **A10** for **A05** (M42) and **A11** for **A04** (M40/M41).

# 3

## A Welded Turret



## B Cast Turret



### Assembly Notes:

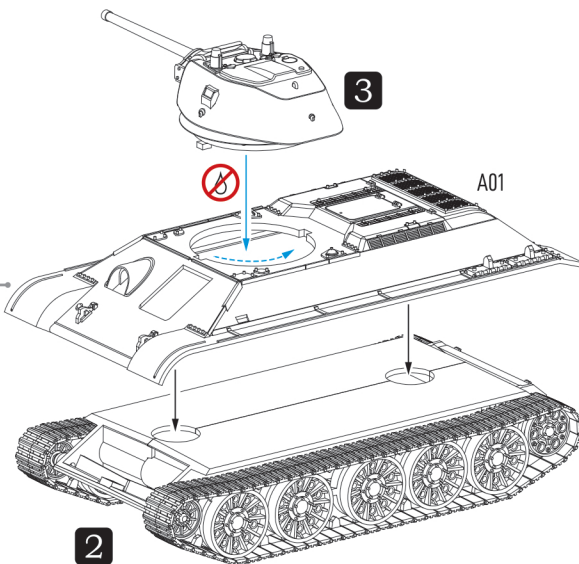
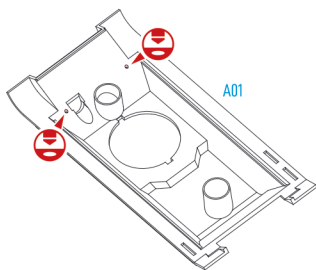
Because of the vast number of T-34/76 tanks build between 1940 and 1942, you can basically inter-mix the two turrets and the two guns included with this kit.

**B18+B02** was the more common F-34 76.2mm gun, and **B17+B01** is from the Stalingrad Tractor Plant (STP) with its characteristic chisel-nosed gun mantlet.

# 4

### Model 40 Headlights

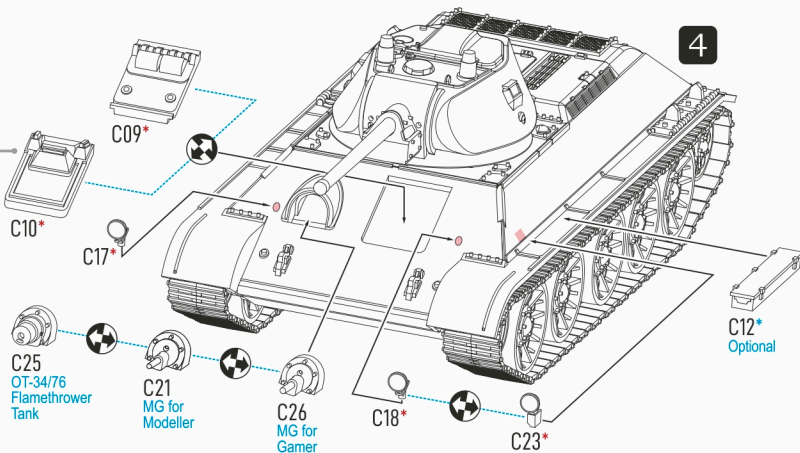
If you want the front hull headlights, there are two debossed marks on the **back side** of the hull piece (A01). Drill open these holes **before** gluing A01 to the bottom hull.



5

### Front Hull Crew Hatch Choice

Model 40  
**C10** + **C17** + **C18**  
 Model 41 / 42  
**C09** + **C23**



4

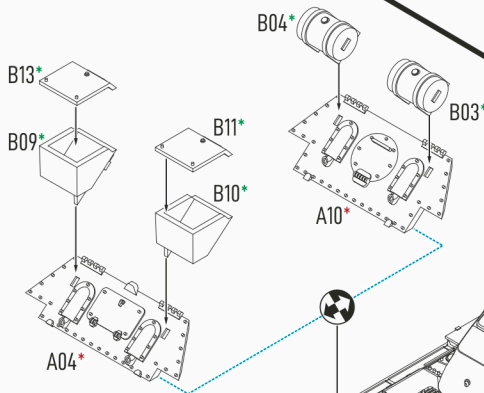
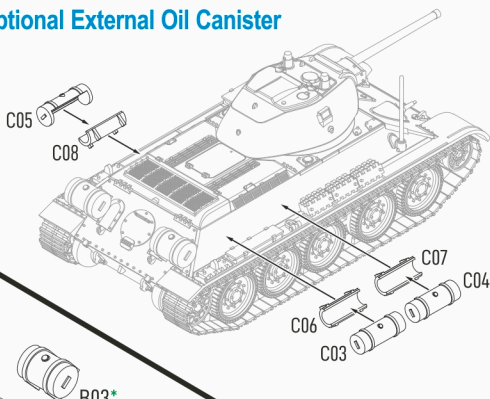
6

### DESIGN NOTES:

The design and construction of the T-34s were continuously refined during the war to enhance effectiveness and reduce costs, allowing steadily greater numbers of T-34s to be fielded despite heavy losses.

Don't be afraid to "personalized" your model by **mix and match** available options to represent various T-34 factory productions and field repairs.

### Optional External Oil Canister



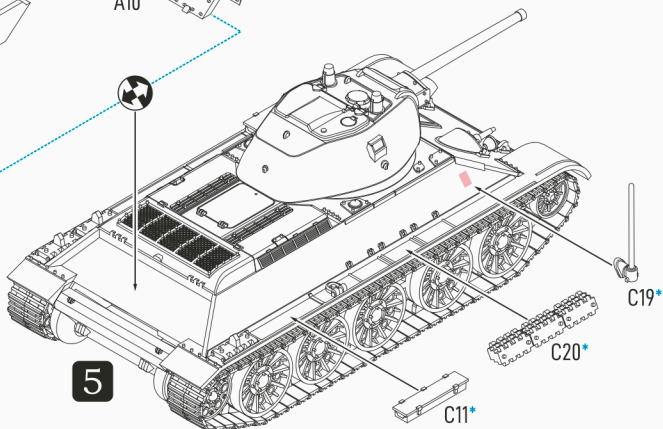
### \* Rear Hull Panels

Model 40 / 41  
**A04** + (**B09**+**B13**) & (**B10**+**B11**)

Model 42  
**A10** + **B03** & **B04**

### \* Rear Accessories

Smoke canister (**B03** & **B04**) and small fuel tanks (**B09**+**B13** & **B10**+**B11**) are interchangeable.



5

\* Optional